



INSTRUCTIONS

-J03681

2011-05-20

DYNA PASSENGER PILLION SEAT KIT

GENERAL

Kit Numbers

51473-06A, 51474-06A, 51535-06A

Models

For model fitment information, see the P&A Retail Catalog or the Parts and Accessories section of www.harley-davidson.com (English only).

Additional Parts Required

These kits require the separate purchase of Passenger Footpeg Mounting Kit (50210-06) and passenger footpegs (purchased separately) if installed on a vehicle originally equipped with a solo seat.

▲ WARNING

Do not install these seat kits on motorcycles that are not equipped with an appropriate grab strap and passenger footpegs. If footpegs and grab strap are not installed, passenger could fall from moving motorcycle or grab onto operator, causing loss of control and death or serious injury. (00410b)

NOTE

A service manual for your model motorcycle is available from a Harley-Davidson Dealer.

Kit Contents

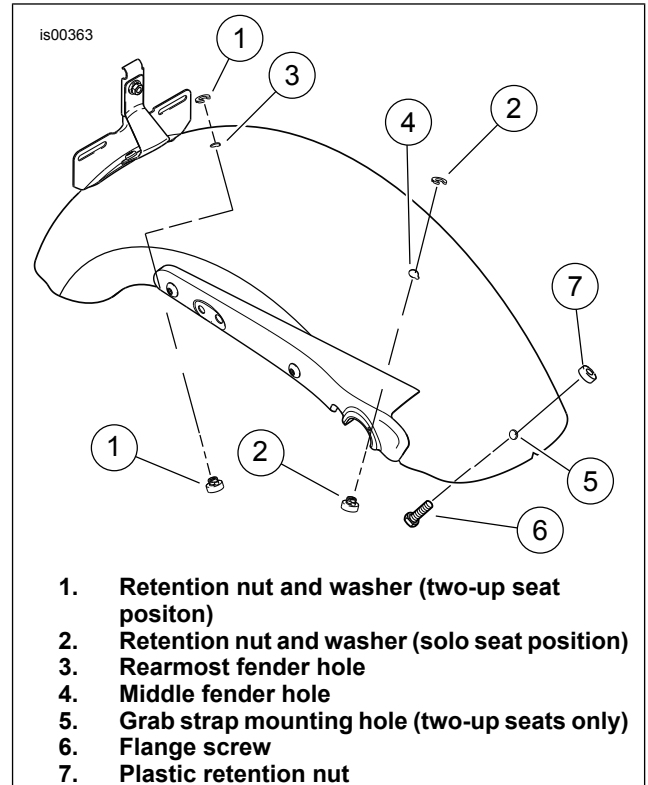
See Figure 5 and Table 1.

REMOVE SEAT

NOTE

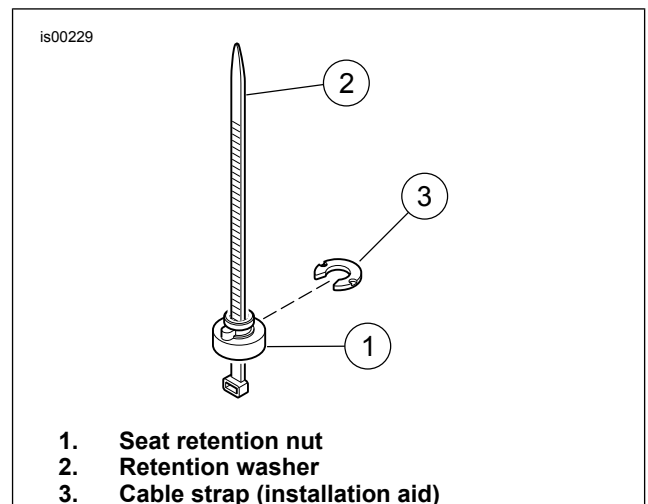
When performing the following installation procedures, avoid scratching painted surfaces (fender, tank, etc.) with tools or metal seat tabs.

1. Remove screw to detach rear seat mounting bracket from fender.
2. Remove two cap screws that attach seat mounting bracket to bottom of stock seat.
3. Remove the existing seat from the motorcycle. Save the seat bracket and mounting screws for installation of the new seat.
4. If motorcycle has a grab strap installed, remove nut and washer and remove the strap.
5. See Figure 1. Remove the plastic cap from rearmost fender hole (3).
6. Remove the seat retention nut and washer (1) from the solo seat mounting hole.



1. Retention nut and washer (two-up seat position)
2. Retention nut and washer (solo seat position)
3. Rearmost fender hole
4. Middle fender hole
5. Grab strap mounting hole (two-up seats only)
6. Flange screw
7. Plastic retention nut

Figure 1. Retention Nut Location



1. Seat retention nut
2. Retention washer
3. Cable strap (installation aid)

Figure 2. Retention Nut Installation

INSTALLATION

1. See Figure 2. A cable strap may be used as an installation aid to remove and install the retention nut and washer. Place the retention nut (1) over the cable strap (3) so the wide end of the nut rests on the eye of the cable strap. Thread the cable strap up under the fender and through the rearmost fender hole. Pull up on the cable strap to hold the nut snug against the underside of the fender.
2. With the rib on the retention nut seated into the notch in the fender hole, slide the retention washer (2) into place from the rear. This will lock the retention nut in place. Remove the cable strap.
3. See Figure 5. Obtain the grab strap (6), flange screw (10), retention nut (9), washer (8) and hex nut (7) from the kit. If the vehicle has a grab strap installed, skip to Step 5.
4. Install the flange screw from the inside of the fender into the grab strap mounting hole in the fender. Secure the screw with the seat retention nut. **For 2010 and Later FXDWG Models:** See Figure 3. Verify that the head of the flange screw (1) is clear of the wire guide (2) and is installed against the fender.
5. See Figure 4. Install new grab strap with washer and nut and tighten nut to 11–18 N·m (8–13 ft-lbs).
6. See Figure 5. Install stock seat bracket (2) to pillion with stock cap screws (A).
7. Fasten passenger pillion seat to bottom of solo saddle with cap screws (5), lockwashers (4) and flat washers (3). Tighten cap screws securely.
8. Slide pillion through grab strap then slide seat forward into position until front seat tab engages frame.

⚠ WARNING

After installing seat, pull upward on seat to be sure it is locked in position. While riding, a loose seat can shift causing loss of control, which could result in death or serious injury. (00070b)

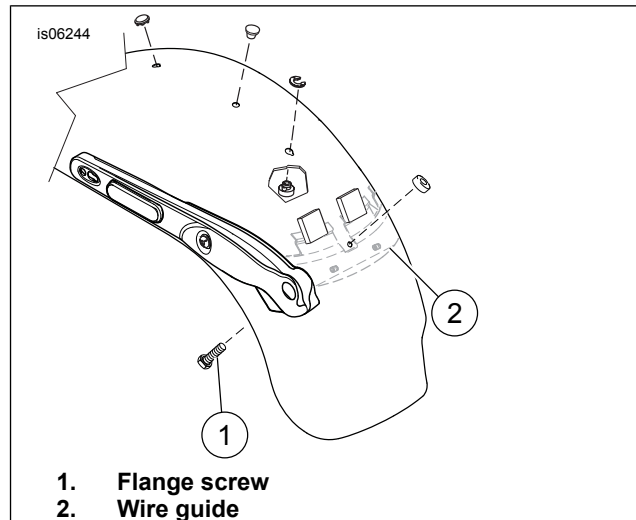


Figure 3. Grab Strap Installation - FXDWG Models

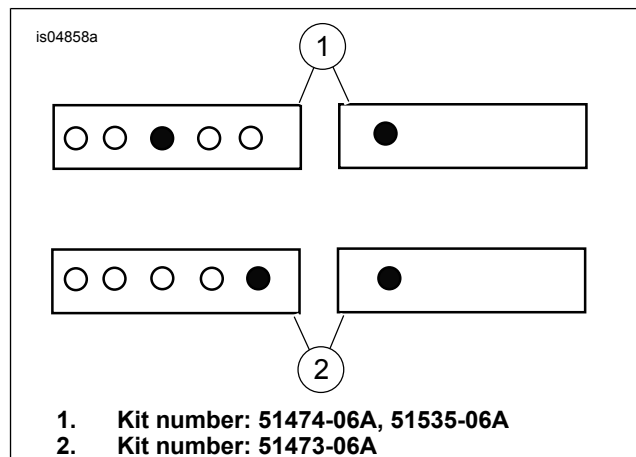


Figure 4. Grab Strap Installation

SERVICE PARTS

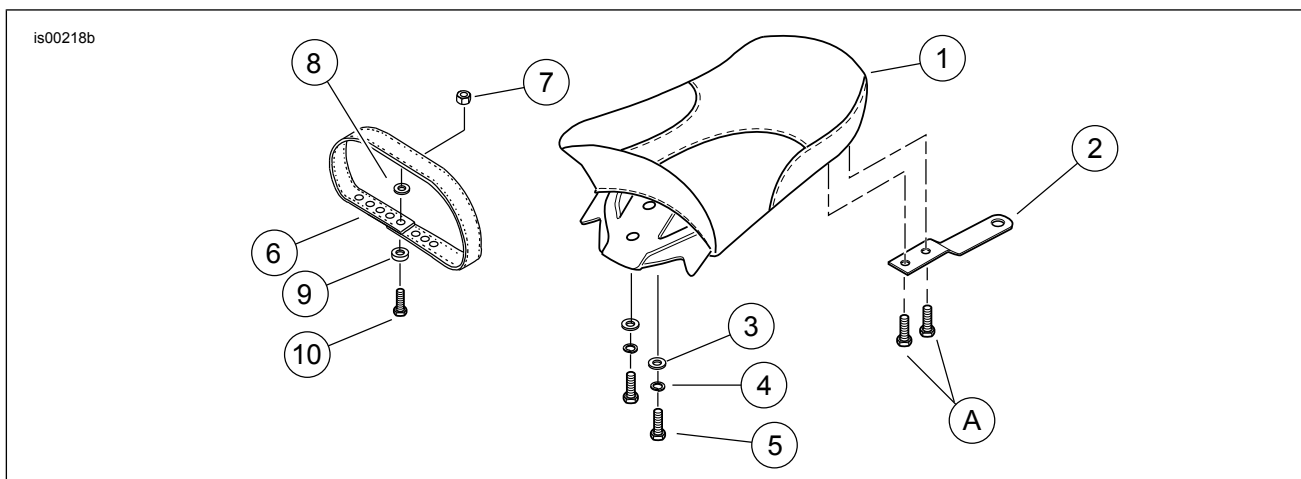


Figure 5. Service Parts: Dyna Passenger Pillion Seat

Table 1. Service Parts Table: Dyna Passenger Pillion Seat

Item	Description (Quantity)	Part Number
1	Passenger pillion seat	Not sold separately
2	Seat bracket	51652-97
3	Flat washer (2)	6235

Table 1. Service Parts Table: Dyna Passenger Pillion Seat

Item	Description (Quantity)	Part Number
4	Lockwasher (2)	7036
5	Cap screw (2)	2551W
6	Passenger grab strap	51176-96C
NOTE: Items 7-10 are stock hardware on vehicles with two-up seat		
7	Nut, hex	7792
8	Washer, plain	6036
9	Nut, retention, plastic	7891
10	Screw, flanged	3574
A	Stock hardware	