



# INSTRUCTIONS

J06404

2020-01-14

## CRUISER BRAKE LEVER KITS

### GENERAL

#### Kit Number

Footboard Brake Lever Kits ( Figure 1 )

41600215, 41600216, 41600217

Foot Peg Brake Lever Kits ( Figure 2 )

41600218, 41600219, 41600220

Brake Lever Kits ( Figure 3 )

41600298, 41600299

#### Models

For model fitment information, see the P&A Retail Catalog or the Parts and Accessories section of [www.harley-davidson.com](http://www.harley-davidson.com) (English only).

#### Installation Requirements

Brake lever pads are required for proper installation. Reuse the stock pad, or refer to the P&A Retail Catalog or the Parts and Accessories section of [www.harley-davidson.com](http://www.harley-davidson.com) (English only).

**Kits 41600298 and 41600299:** Separate purchase of a **new** accessory brake pedal pad is required.

#### ▲ WARNING

**Rider and passenger safety depend upon the correct installation of this kit. Use the appropriate service manual procedures. If the procedure is not within your capabilities or you do not have the correct tools, have a Harley-Davidson dealer perform the installation. Improper installation of this kit could result in death or serious injury. (00333b)**

#### NOTE

*This instruction sheet references service manual information. A service manual for your model motorcycle is required for this installation and is available from a Harley-Davidson Dealer.*

#### Kit Contents

See Figure 1, Figure 2, Figure 3 and Table 1.

#### Removal of Stock Brake Lever

1. Take note of the angle that the stock brake lever is mounted.
2. Remove cotter pin and clevis pin from brake lever.

3. Retain clevis pin, but discard cotter pin.
4. Remove hex socket button head screw, large flat washer, small washer and flange nut.
5. Remove stock brake lever
6. Retain brake lever mounting hardware.
7. Discard the two O-rings.
8. If the stock brake lever pad is going to be reused on the new brake lever, remove it from the stock brake lever, and retain it for reassembly.

#### INSTALLATION

1. Insert two **new** O-rings into **new** brake lever.
2. Install brake lever in the same orientation as the stock brake lever.
3. Insert hex socket button screw, large flat washer, small washer and flange nut.
4. Tighten to torque values specified in service manual.
5. Place brake rod onto brake lever.
6. Install clevis pin removed earlier.
7. Install **new** cotter pin provided in the kit.
8. Install stock brake lever pad, or install an accessory brake lever pad.

## SERVICE PARTS

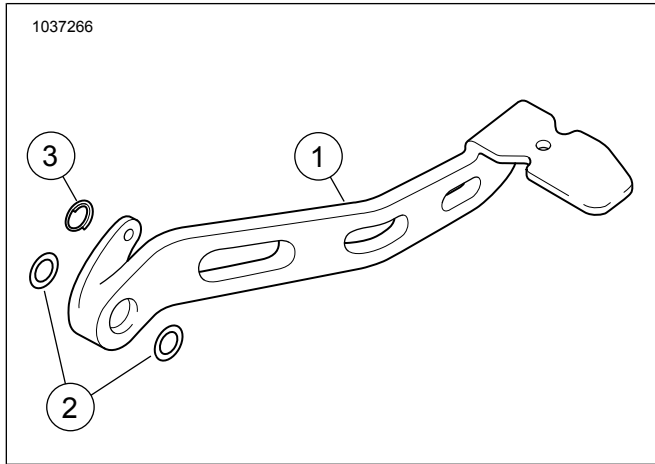


Figure 1. Footboard Brake Lever

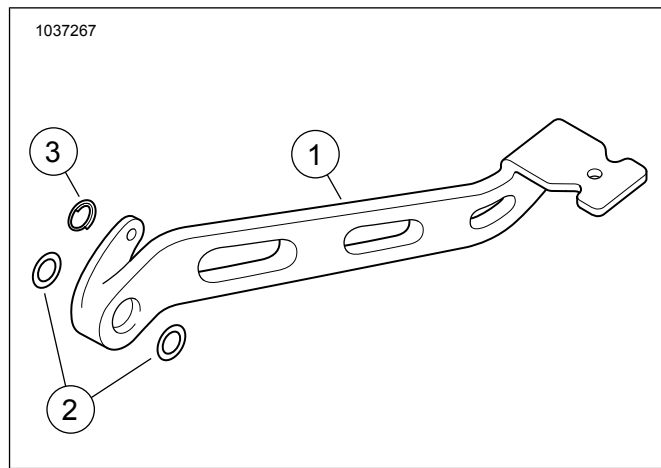


Figure 2. Foot Peg Brake Lever Kits

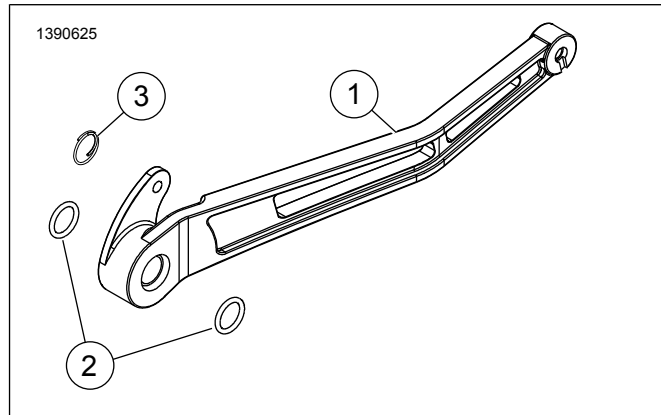


Figure 3. Brake Lever

Table 1. Service Parts Table

Kit	Item	Description (Quantity)	Part Number
Kit 41600215	1	Brake lever (chrome)	Not sold separately
	2	O-ring (2)	11364
	3	Cotter, Circular	51938-04
Kit 41600216	1	Brake lever (black)	Not sold separately
	2	O-ring (2)	11364
	3	Cotter, Circular	51938-04
Kit 41600217	1	Brake lever (edge cut)	Not sold separately
	2	O-ring (2)	11364
	3	Cotter, Circular	51938-04
Kit 41600218	1	Brake lever (chrome)	Not sold separately
	2	O-ring (2)	11364
	3	Cotter, Circular	51938-04
Kit 41600219	1	Brake lever (black)	Not sold separately
	2	O-ring (2)	11364
	3	Cotter, Circular	51938-04
Kit 41600220	1	Brake lever (edge cut)	Not sold separately
	2	O-ring (2)	11364
	3	Cotter, Circular	51938-04
Kit 41600298	1	Brake lever (graphite)	Not sold separately
	2	O-ring (2)	11364
	3	Cotter, Circular	51938-04
Kit 41600299	1	Brake lever (black)	Not sold separately
	2	O-ring (2)	11364
	3	Cotter, Circular	51938-04