



INSTRUCTIONS

J06592

2021-01-19

5 INCH GAUGE CONSOLE KIT

GENERAL

Kit Numbers

70900816, 70900817, 70900835, 70900836

Models

For model fitment information, see the P&A retail catalog or the Parts and Accessories section of www.harley-davidson.com (English only).

▲ WARNING

Rider and passenger safety depend upon the correct installation of this kit. Use the appropriate service manual procedures. If the procedure is not within your capabilities or you do not have the correct tools, have a Harley-Davidson dealer perform the installation. Improper installation of this kit could result in death or serious injury. (00333b)

NOTE

This instruction sheet references service manual information. A service manual for this year/model motorcycle is required for this installation. One is available from a Harley-Davidson dealer.

Kit Contents

See Figure 3 or Figure 4, and Table 1.

PREPARE

1. Remove main fuse. See the service manual.

REMOVE AND INSTALL

Remove

1. See Figure 1. Detach console.
 - a. Remove front screw (1).
 - b. Remove rear screw (4)
 - c. Move console (2) rearward.
2. See Figure 2. Disconnect connector.
 - a. Remove grommet (4) from backbone (1).
 - b. Pull harness (2) from backbone.

NOTE

See the electrical diagnostic manual for the appropriate disassembly procedure for the connector.

- c. Disconnect connector (3).

3. Remove console.

Install

1. See Figure 2. Connect connector.
 - a. Connect connector (3).
 - b. Feed harness (2) into backbone (1).
 - c. Position grommet (4) into backbone.
2. See Figure 1. Install console.
 - a. Align console (2) with bracket (3).
 - b. Install front screw (1).
 - c. Install rear screw (4).
 - d. Tighten front screw.
Torque: 3.4–5.6 N·m (30–50 in-lbs) Console screw (Front)
 - e. Tighten rear screw.
Torque: 2.8–3.4 N·m (25–30 in-lbs) Console screw (Rear)

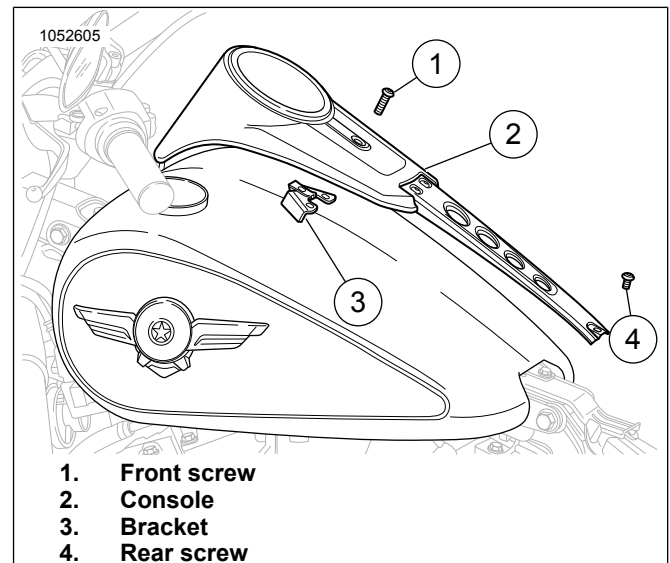


Figure 1. Console

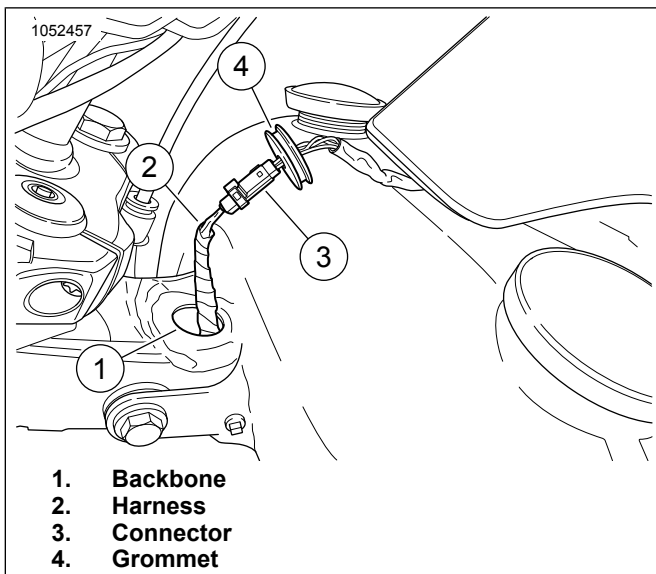


Figure 2. Console Harness

DISASSEMBLE

1. Remove Instrument Module (IM). See the service manual.
2. **Kits 70900835, 70900836:** See Figure 3 or Figure 4. Remove and discard IM harness (10). See the service manual.

ASSEMBLE

1. See Figure 3 or Figure 4. Clean the area on the console (4) for the medallion (2). See Adhesive Strips.
2. Remove the protective tape from the adhesive backing of the console medallion (2). Attach the medallion to the cleaned area on the console (4).
3. Install IM. See the service manual.
4. Install console trim.
 - a. position console trim (3) on top of console.

- b. Install screws (7), washers (6), and flange nuts (5). Tighten.

Torque: 8.5–10.7 N·m (75–95 **in-lbs**) *Console trim screw*

5. **Kits 70900835, 70900836:** Install **new** IM harness (10). See the service manual.

COMPLETE

1. Install main fuse. See the service manual.
2. **Kits 70900835, 70900836:** Re-flash IM with Digital Technician II (DT II) to enable indicator lights in speedometer.

Adhesive Strips

1.

NOTE

 - *Ambient temperature between 21–38 °C (70–100 °F) for proper adhesion. Do not apply below 10 °C (50.0 °F).*
 - *Parts cannot be repositioned after initial adhesive installation.*
 - *Allow **at least** 24 hours after application before exposing the area to vigorous washing, strong water spray or extreme weather.*
 - *The adhesive bond will increase to maximum strength after about 72 hours at normal room temperature.*
 - *Do not clean with denatured alcohol, mineral spirits or other solvents. Damage to components occurs.*

Using a 50:50 isopropyl alcohol/water solution, thoroughly clean surface. Allow to dry completely.

2. Install item into area.
 - a. With the adhesive backing still in place, test fit the item to the area.
 - b. Remove the adhesive backing.
 - c. Install the item to the area.
 - d. Press surface of the item firmly to make sure that there is good adhesion.

SERVICE PARTS

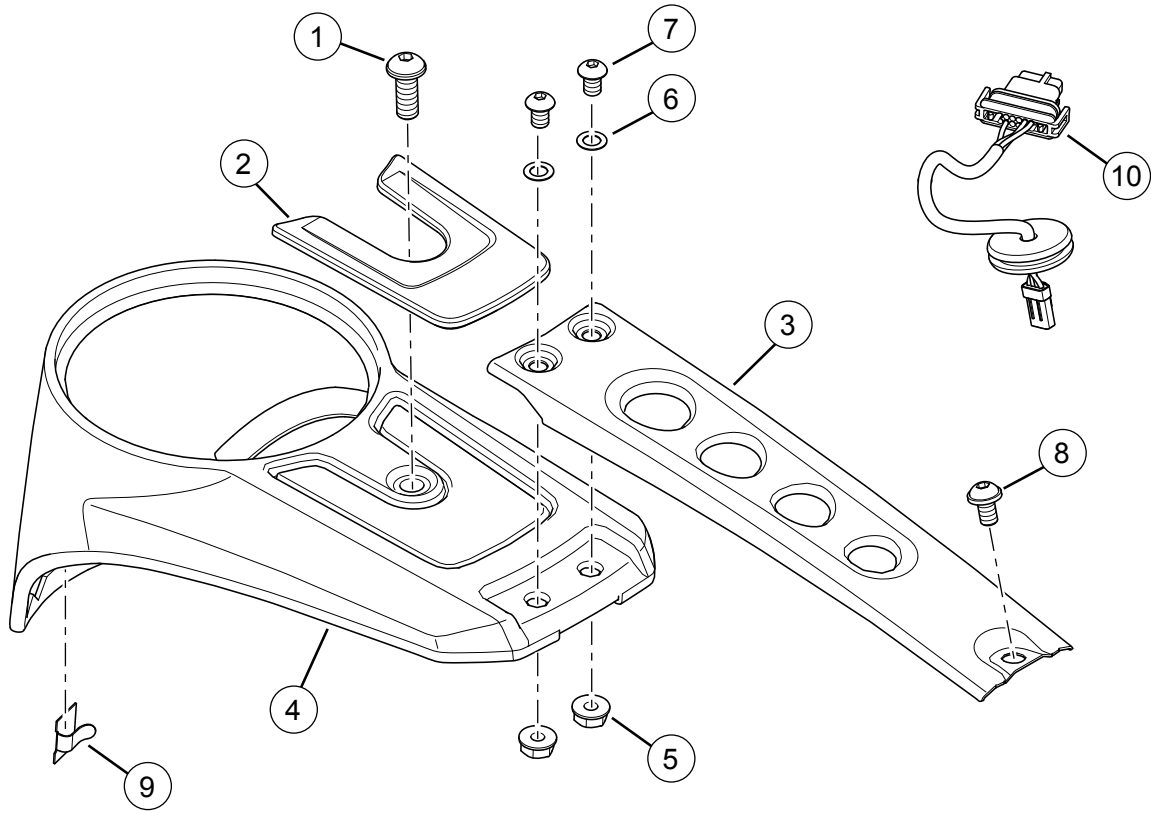


Figure 3. 5" Console Kit (Chrome)

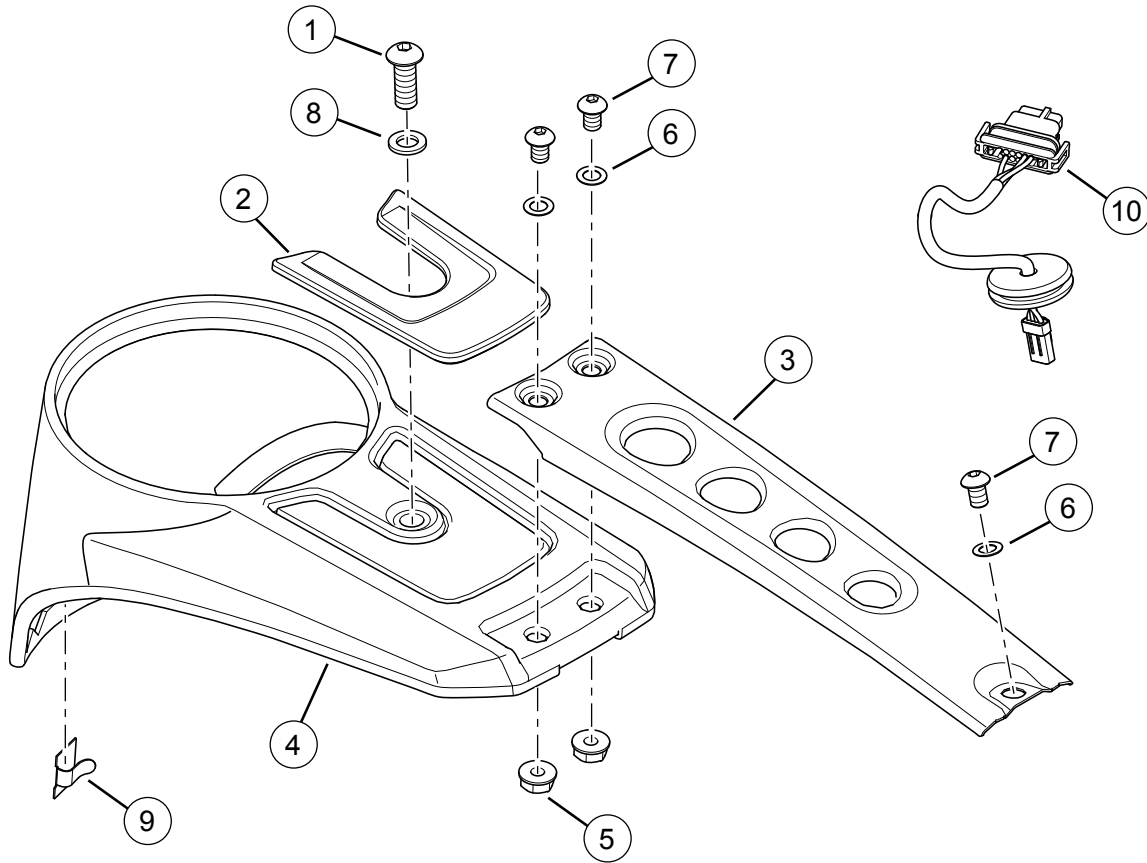


Figure 4. 5" Console Kit (Black)

Table 1. Service Parts: 5" Gauge Console Kit

Kit	Item	Description (Quantity)	Part Number
Chrome 70900816, 70900835	1	Front console screw	10200583
	2	Console medallion	14101092
	3	Console trim	61400581
	4	Console assembly with gasket	70900747
	5	Flange nut (2)	7717
	6	Console trim washer (2)	6917M
	7	Console trim screw (2)	10200200
	8	Rear console screw	10200141
	9	Harness clip	10102
	10	Kit 70900835: Instrument module harness	69201528
Black 70900817, 70900836	1	Console screw	10200620
	2	Console medallion	14101092
	3	Console trim	61400582
	4	Console assembly with gasket	70900815
	5	Flange nut (2)	7717
	6	Console trim washer (3)	10300103
	7	Console trim screw (3)	10200618
	8	Console washer	10300139
	9	Harness clip	10102
	10	Kit 70900836: Instrument module harness	69201528