



INSTRUCTIONS

94100050

2021-04-13

ALUMINUM TOP CASE

GENERAL INFORMATION

Table 1. General Information

Kits	Suggested Tools	Skill Level ⁽¹⁾
53000814, 53000816	Safety Glasses, Torque Wrench	

(1) Tightening to torque value or other moderate tools and techniques required

KIT CONTENTS

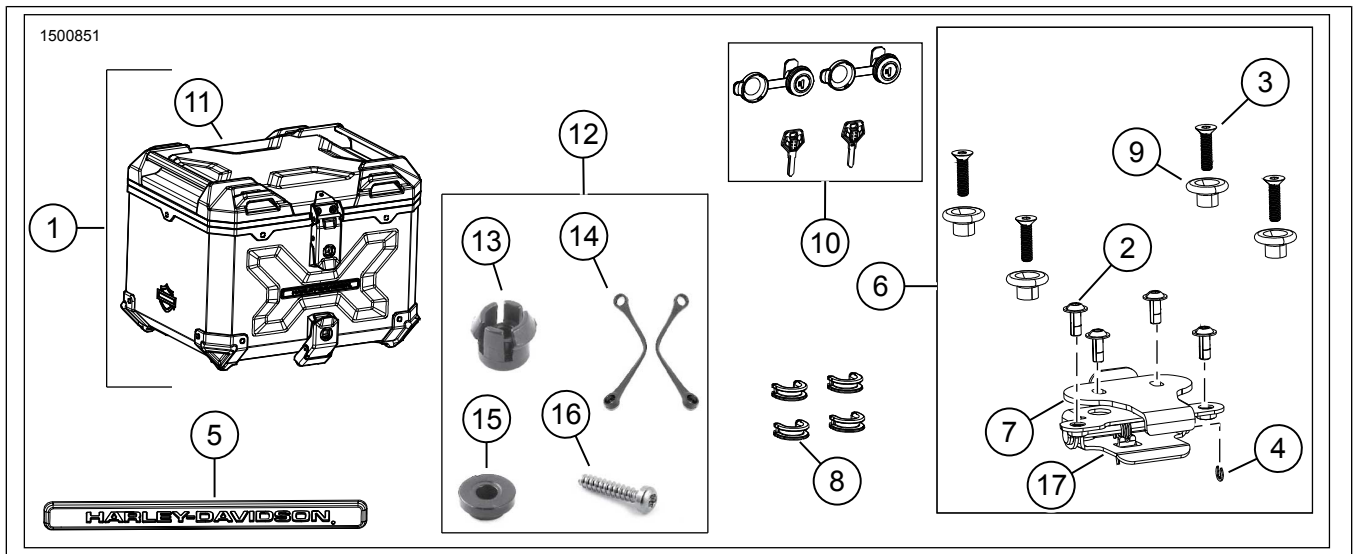


Figure 1. Kit Contents: Aluminum Top Case

Table 2. Kit Contents: Aluminum Top Case

Verify that all contents are present in the kit before installing or removing items from vehicle.					
✓	Item	Qty	Description	Part No.	Notes
<input type="checkbox"/>	1	1	Aluminum top case (clear) Aluminum top case (black)	Not sold separately Not sold separately	
<input type="checkbox"/>	2	4	Screw, socket	10201086	9.5 N·m (7 ft-lbs)
<input type="checkbox"/>	3	4	Screw, flat head	10201137	9.5 N·m (7 ft-lbs)
<input type="checkbox"/>	4	1	Retaining clip	Not sold separately	Included in Kit 53000813
<input type="checkbox"/>	5	1	Medallion	14101429	
<input type="checkbox"/>	6	1	Mounting kit (includes items 2, 3, 4, 7, 9, 17)	53000813	
<input type="checkbox"/>	7	1	Latch	53000842	
<input type="checkbox"/>	8	4	Nylon bushing	90202340	
<input type="checkbox"/>	9	4	Docking point	90202341	
<input type="checkbox"/>	10	1	Lockset (two keys)	90300166	
<input type="checkbox"/>	11	1	Lid gasket	90202504	
<input type="checkbox"/>	12	1	Lid limiter kit (includes items 13-16)	90202407	
<input type="checkbox"/>	13	4	Snap-Fit	Not sold separately	Included in Kit 90202407
<input type="checkbox"/>	14	2	Lid limiter	Not sold separately	Included in Kit 90202407
<input type="checkbox"/>	15	4	Nylon bushing	Not sold separately	Included in Kit 90202407
<input type="checkbox"/>	16	4	Screw	Not sold separately	0.5 N·m (4 in-lbs) Included in Kit 90202407
<input type="checkbox"/>	17	1	Secondary latch	Not sold separately	Included in Kit 53000813

GENERAL

Models

For model fitment information, see the Parts and Accessories (P&A) Retail Catalog or the Parts and Accessories section of www.harley-davidson.com.

Verify that the most current version of the instruction sheet is used. It is available at: h-d.com/isheets

Contact Harley-Davidson Customer Support Center at 1-800-258-2464 (U.S. only) or 1-414-343-4056.

Installation Requirements

Separate purchase of Top Case Mounting Kit (Part No. 94100051) is required for installation.

▲ WARNING

Rider and passenger safety depend upon the correct installation of this kit. If the procedure is not within your capabilities or you do not have the correct tools, have a Harley-Davidson dealer perform the installation. Improper installation of this kit could result in death or serious injury. (00308b)

▲ WARNING

See the Accessories and Cargo section in your owner's manual. Improper cargo loading or accessory installation can cause component failure and adversely affect stability, handling and performance, which could result in death or serious injury. (00021b)

- Do not exceed 22 lbs (10 kg) total weight contents and attachments per bag.
- Periodically recheck load.

▲ WARNING

Do not exceed the motorcycle's Gross Vehicle Weight Rating (GVWR) or Gross Axle Weight Rating (GAWR). Exceeding these weight ratings can lead to component failure and adversely affect stability, handling and performance, which could result in death or serious injury. (00016f)

Separate purchase of Top Case Mounting Kit (Part No. 94100051) is required for installation.

OPEN LID

NOTE

For lubrication ONLY use graphite powder!

NOTE

Pay attention to correct alignment of clamping plates.

1. See Figure 2. Pull latch (1) of lid (3) upwards.
2. Remove it from latch bar (2).
3. Open lid (3).

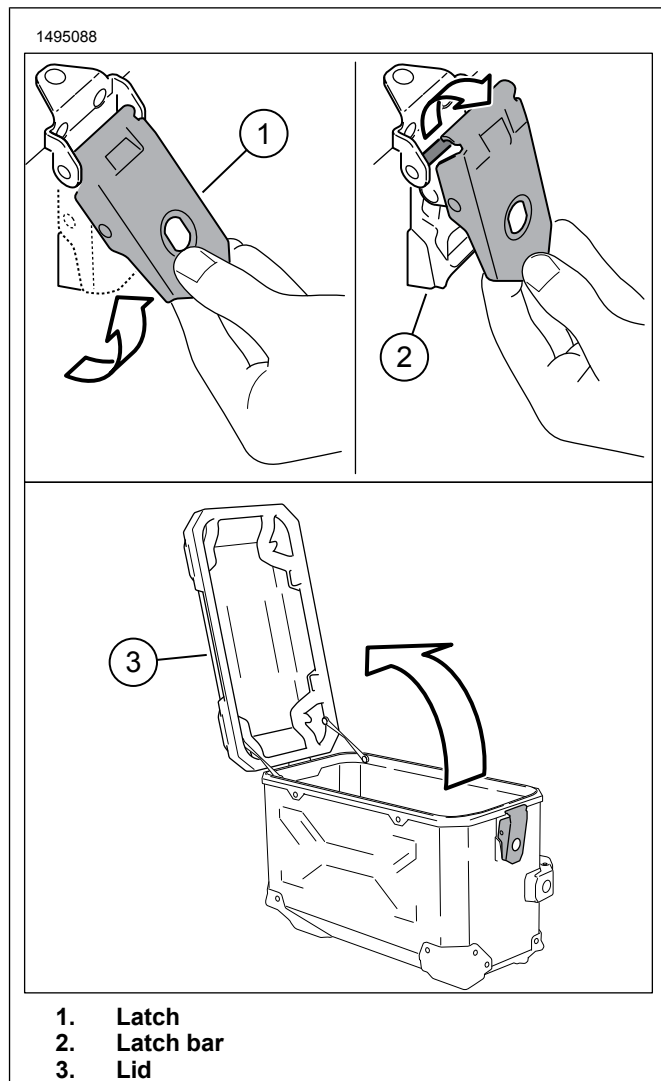


Figure 2. Opening Lid

INSERTION OF LOCK CYLINDER SET

NOTE

Pay attention to correct alignment of clamping plates.

NOTE

For lubrication ONLY use graphite powder!

1. See Figure 3. Insert lock cylinders (1) into latches (2).
2. Secure lock cylinders with clamping plates (3).
3. Insert keys (4) into lock cylinders.
4. Open or close lock cylinder.

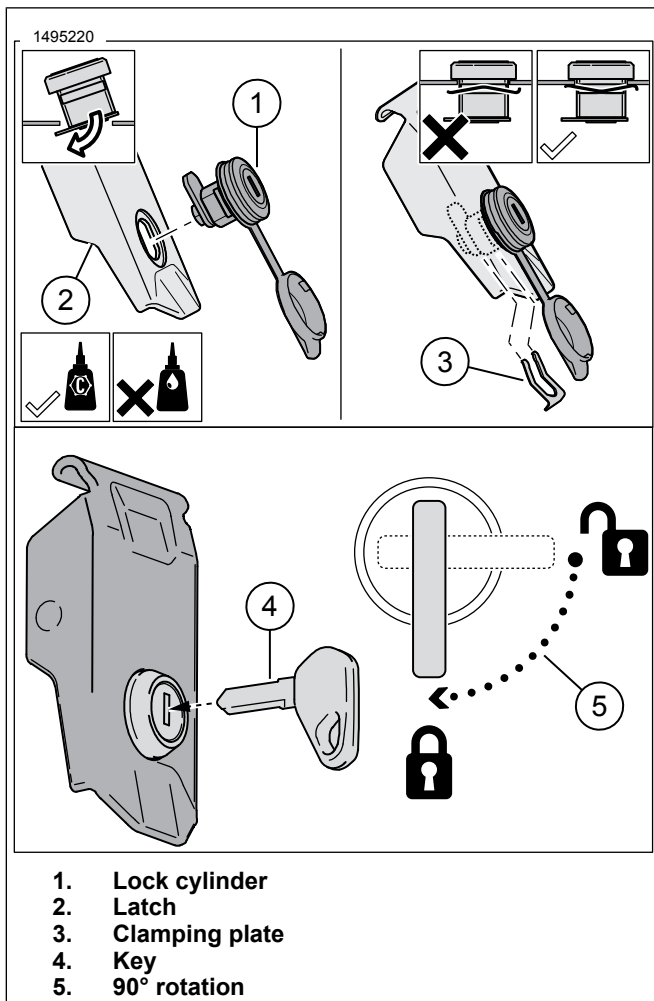


Figure 3. Lock Cylinder Insertion

MOUNTING LID LIMITERS

NOTE

Pay attention to left-right specifications for limiters (in driving direction).

1. See Figure 4. Open lid. Attach snap-fit (2) at lid frame. Tighten screws (1), hand tighten, fully seated.
Torque: 0.5 N·m (4 in-lbs)
2. Attach lid limiters (3) at case frame. Tighten screws, hand tighten, fully seated. Press lid limiters onto snap-fits.
Torque: 0.5 N·m (4 in-lbs)
3. Before closing lid for first time, lid limiters must be compressed. While closing lid, make sure that lid limiters are not pinched between lid and case.

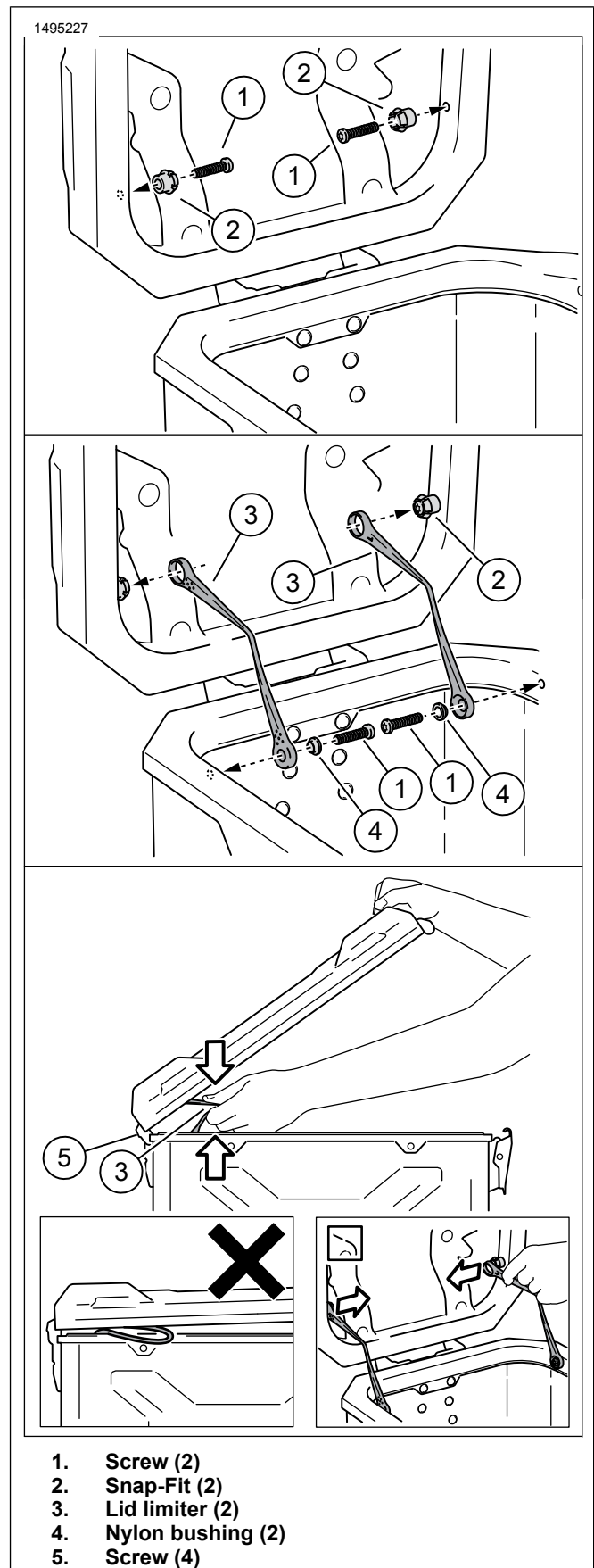


Figure 4. Lid Limiter Mounting

MOUNTING DOCKING POINTS

1. See Figure 5. Install
2. Install docking points (2) onto top case mounting plate with flat head screws (1). Tighten screws (1).
Torque: 9.5 N·m (7 ft-lbs)
3. Install secondary latch (3) onto bottom of top case mounting plate (6) with button head screws (4). Tighten screws (4).
Torque: 9.5 N·m (7 ft-lbs)
4. Install latch (5) to top of top case mounting plate with button head screws (4). Tighten screws (4).
Torque: 9.5 N·m (7 ft-lbs)

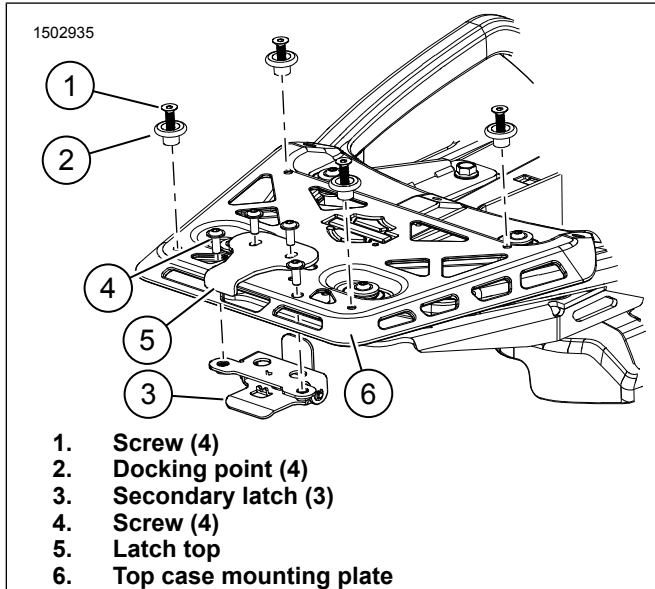


Figure 5. Docking Points

INSTALL

NOTE

Make sure that all four locating bolts (2) rest on at the same time.

NOTE

Make sure closed latch is under sufficient tension! If not latch hook must be readjusted!

NOTE

Secure aluminum top case with separately available lock cylinder set at the QUICK-LOCK adapter kit before riding!

1. See Figure 6. Install the four openings of mounting rail (1) onto locating bolts (2) of mounted QUICK-LOCK adapter plate.
2. Press the aluminum top case forward, until it properly rests on QUICK-LOCK adapter plate.
3. Place latch (3) over the latch hook (4).
4. Close latch (3) and check proper fit of the aluminum top case on the QUICK-LOCK adapter plate.

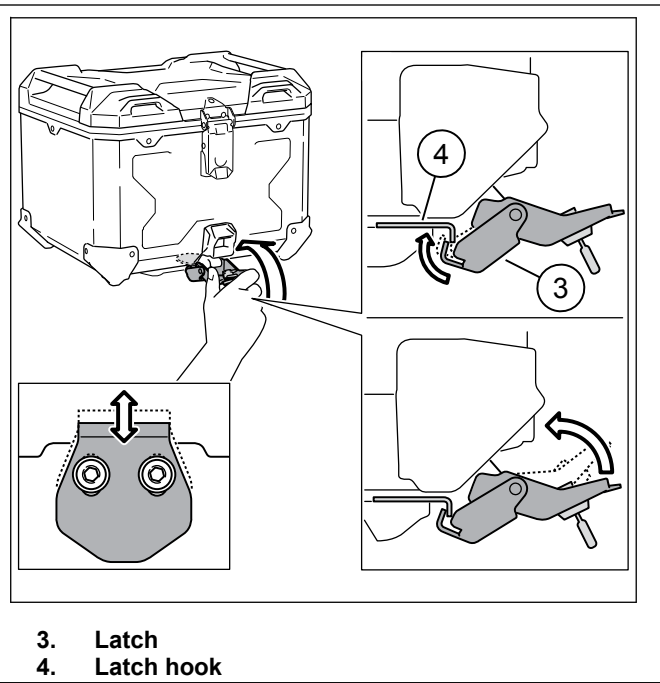
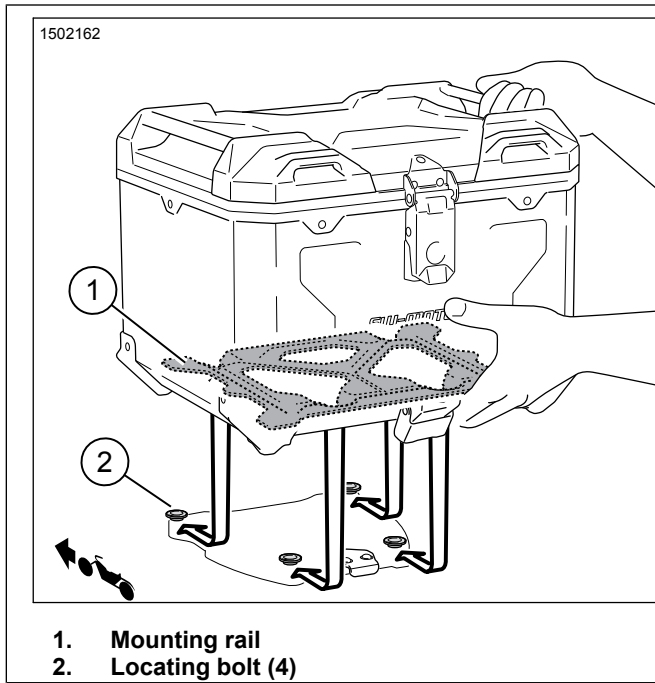


Figure 6. Installation of Aluminum Top Case