



# INSTRUCTIONS

J03654

2019-08-21

## DERBY COVER KIT

Table 1. General Information

Kits	Suggested Tools	Skill Level <sup>(1)</sup>	Time
25125-04A, 25127-04A, 25130-04A, 25333-10, 25341-10, 25343-04A, 25383-04A, 25384-04A, 25440-04A, 25700063, 25700131, 25700255, 25700257, 25700506, 25700541, 25700517, 25700744, 25701021, 25701061	Safety Glasses, Torque Wrench		1 h

(1) Tightening to torque value or other moderate tools and techniques required

### KIT CONTENTS

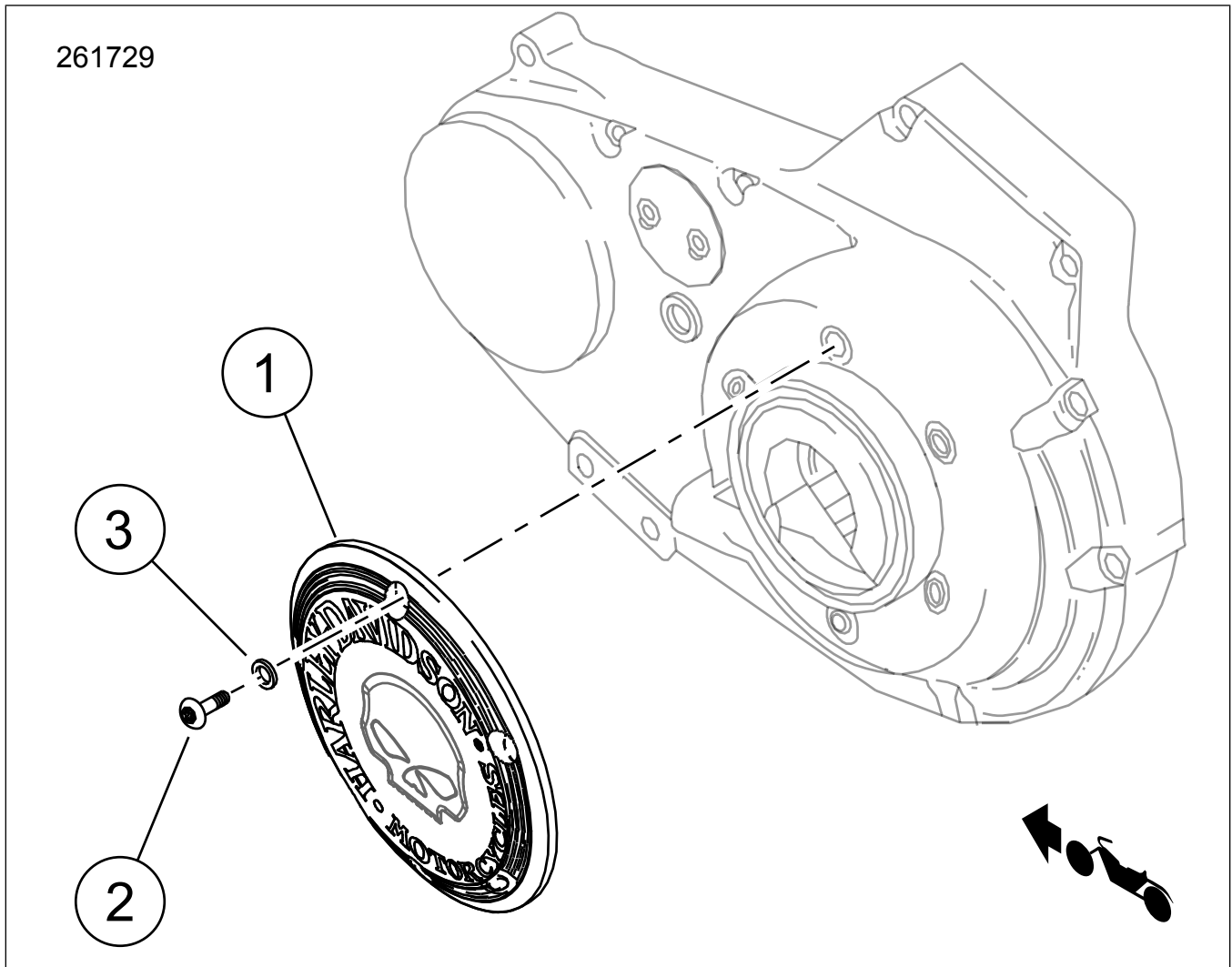


Figure 1. Kit Contents: Derby Cover Components

**Table 2. Kit Contents: Derby Cover Components**

<input checked="" type="checkbox"/>	Item	Qty	Description	Part No.	Notes
<input type="checkbox"/>	1	1	Derby cover	Not sold separately	
<input type="checkbox"/>	2	6	Screws (Kit 25701061)	9461	
<input type="checkbox"/>			Screws (Kits 25700517, 25700744)	10200436	
<input type="checkbox"/>			Screws (Kits 25701021, 25701020)	10200815	
<input type="checkbox"/>	3	6	Washer	9600	
<input type="checkbox"/>			Washer (Kits 25700517, 25700744, 25701021)	10300103	

**NOTE**

Verify all contents are present in the kit before installing or removing items from vehicle.

**GENERAL**

**Models**

For model fitment information, please see the P&A Retail Catalog or the Parts and Accessories section of [www.harley-davidson.com](http://www.harley-davidson.com) (English only).

Ensure you are using the most current version of the instruction sheet which is available at: [www.harley-davidson.com/isheets](http://www.harley-davidson.com/isheets)

Contact Harley-Davidson Customer Support Center at 1-800-258-2464 (U.S. only) or 1-414-343-4056.

**Installation Requirements**

**▲ WARNING**

Rider and passenger safety depend upon the correct installation of this kit. Use the appropriate service manual procedures. If the procedure is not within your capabilities or you do not have the correct tools, have a Harley-Davidson dealer perform the installation. Improper installation of this kit could result in death or serious injury. (00333b)

**REMOVE**

**NOTE**

On models without forward controls, it may be necessary to remove the left footpeg bracket for removal and installation of the derby cover (clutch inspection cover).

1. If necessary, remove left footpeg bracket. See service manual.
2. Remove Original Equipment (OE) screws and washers that secure derby cover. Discard.
3. Remove the OE cover.

**INSTALL**

1. Inspect quad ring gasket and replace if necessary. Verify quad ring is properly seated in groove of primary cover.

2. Install **new** cover (1) and secure with screws (2) and washers (3).
3. See Figure 2. Tighten screws in a star pattern.  
Torque: 9.5–12.2 N·m (84–108 in-lbs)
4. If the left footpeg bracket was removed in step 1, see the service manual and install the left footpeg bracket.
5. Run engine. Check for lubricant leaks.

**SPECIAL CARE INSTRUCTIONS**

**Kit 25701061:** Bare Aluminum wheel Protectant Wipes Part No. 93600063 can be applied to "RideFree" text for added corrosion protection.

**All Kits (except 25701061):** This derby cover is black, or chrome-plated with paint filled accents.

**NOTE**

To prevent damage to the cover surface, do not use any detergents, chemical solvents, polishes or abrasive cleaning agents.

To keep this surface in the best condition, lightly wipe with a MICROFIBER DETAILING CLOTH (94663-02) using clear water or a mild Harley-Davidson cleaner such as:

- SUNWASH® BIKE SOAP (93600023)
- HARLEY BUG REMOVER (93600122)
- GLOSS DETAILER (93600123)

**NOTE**

These cleaners are available from a Harley-Davidson dealer.

**CARE AND CLEANING GUIDELINES FOR BRASS PARTS**

**Cleaning Instructions**

1. Verify part is dry and free of dirt or debris.
2. Place a small amount of Harley-Davidson® Chrome Clean & Shine on a microfiber cloth or detailing swab.
3. Using light pressure, rub the brass parts with the microfiber cloth. For hard to reach places or grooves, use the detailing swab.

### Obtaining a Bright Finish

Brass parts will naturally age and darken with time. If a bright brass finish is preferred, place some Harley-Davidson Bare Metal Polish on a microfiber cloth and lightly rub on the brass parts until they reach the desired brightness.

### Slowing the Natural Aging Process

To slow the aging process of the brass parts, place a small amount of Harley-Davidson Glaze Poly Sealant on a microfiber cloth or detailing swab, and lightly rub on the parts until the sealant has soaked in.

### Precautions

- Use of non-recommended cleaning, polishing and protective products will result in the removal of the aged finish from the brass parts.
- Prolonged contact with certain items (hands, gloves, boots, dust, etc.) and exposure to the elements will also alter all surface finishes and is NOT considered a defect.
- Avoid cleaning parts with abrasive and aggressive chemicals and abrasive cleaning pads.
- Avoid ammoniated products and bleach.
- Prolonged exposure to water will alter the brass finish. Wipe down parts after contact with water.
- Excess rubbing may lighten the surface appearance of the part.

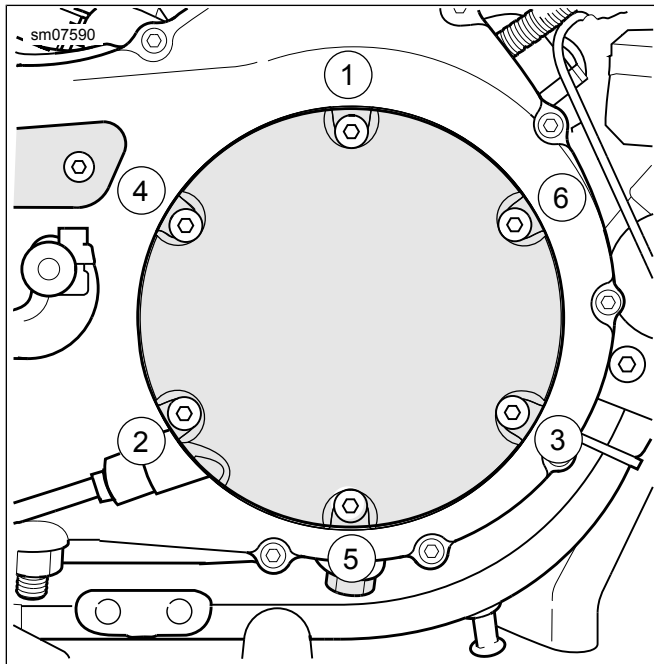


Figure 2. Clutch Inspection Cover Torque Sequence

## CARE AND CLEANING GUIDELINES FOR BRASS PARTS

### Cleaning Instructions

1. Verify part is dry and free of dirt or debris.
2. Place a small amount of Harley-Davidson<sup>®</sup> Chrome Clean & Shine on a microfiber cloth or detailing swab.

3. Using light pressure, rub the brass parts with the microfiber cloth. For hard to reach places or grooves, use the detailing swab.

### Obtaining a Bright Finish

Brass parts will naturally age and darken with time. If a bright brass finish is preferred, place some Harley-Davidson Bare Metal Polish on a microfiber cloth and lightly rub on the brass parts until they reach the desired brightness.

### Slowing the Natural Aging Process

To slow the aging process of the brass parts, place a small amount of Harley-Davidson Glaze Poly Sealant on a microfiber cloth or detailing swab, and lightly rub on the parts until the sealant has soaked in.

### Precautions

- Use of non-recommended cleaning, polishing and protective products will result in the removal of the aged finish from the brass parts.
- Prolonged contact with certain items (hands, gloves, boots, dust, etc.) and exposure to the elements will also alter all surface finishes and is NOT considered a defect.
- Avoid cleaning parts with abrasive and aggressive chemicals and abrasive cleaning pads.
- Avoid ammoniated products and bleach.
- Prolonged exposure to water will alter the brass finish. Wipe down parts after contact with water.
- Excess rubbing may lighten the surface appearance of the part.