



INSTRUCTIONS

J04258

2021-08-03

HANDLEBAR GRIPS

GENERAL

Kit Numbers

56246-08, 56263-08, 56275-08, 56425-08, 56459-08, 56518-08, 56729-08, 56740-08, 57202-08, 56746-08, 56257-09, 57457-10, 56100015, 56100036, 56100028, 56100048, 56100098, 56100108, 56100133, 56100157, 56100158, 56100174, 56100218, 56100231, 56100234, 56100319, 56100332, 56100361, 56100378, 56100391, 56100394, 56100411, 56100427, 56100428, 56100429

Models

For model fitment information, see the P&A Retail Catalog or the Parts and Accessories section of www.harley-davidson.com (English only).

Verify that the most current version of the instruction sheet is used. It is available at: www.harley-davidson.com/isheets

Contact Harley-Davidson Customer Support Center at 1-800-258-2464 (U.S. only) or 1-414-343-4056.

Kit Contents

See Figure 2 and Table 1.

Installation Requirements

NOTE

Screwheads on Endgame handgrips are decorative only. Any attempt to adjust these screws could lead to damage of the handgrips.

▲ WARNING

Rider and passenger safety depend upon the correct installation of this kit. Use the appropriate service manual procedures. If the procedure is not within your capabilities or you do not have the correct tools, have a Harley-Davidson dealer perform the installation. Improper installation of this kit could result in death or serious injury. (00333b)

This instruction sheet references service manual information. A service manual for your model motorcycle is required for this installation and is available from a Harley-Davidson dealer.

INSTALL

Remove and Install Left Side Grip

1. See Figure 1. Remove the upper and lower switch housing screws (1).

2. Loosen the upper screw securing the handlebar clamp (3) to the clutch lever bracket.
3. Remove the lower clamp screw and flat washer.
4. Loosen the clamp and position the clutch hand lever assembly away from the switch housing.
5. Separate the upper and lower switch housings.
6. Remove the end cap from the existing left handlebar grip if equipped. **With glueless grip:** Remove the grip from the handlebar. **With glued grip:** Remove the grip by carefully cutting it away from the handlebar using a sharp blade or knife.

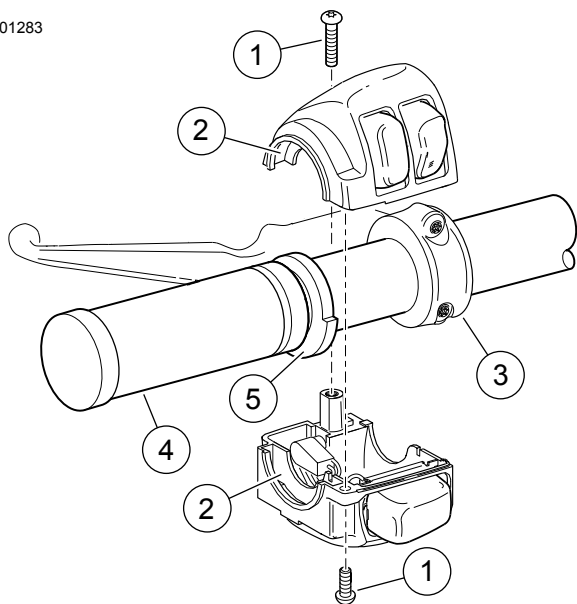
NOTE

Thoroughly clean handlebar to remove all residual adhesive.

▲ WARNING

Do not lubricate left handlebar grip before installation. Lubricating grip can cause it to come off while riding, which could result in loss of control and death or serious injury. (00315a)

7. Position the new left grip (4) so the larger diameter portion of the flange (5) is at the bottom. Push the grip fully onto the handlebar.



1. Switch housing screws
2. Grooves
3. Handlebar clamp
4. Left handlebar grip
5. Larger diameter of flange

Figure 1. Left Handlebar Switch Housing

8. Position the lower switch housing beneath the grip so that the grooves (2) on the outboard side of the switch housing fit over the flange on the end of the grip.
9. Position the upper switch housing over the handlebar and lower switch housing.
10. Start the upper and lower switch housing screws, but do not tighten.
11. Verify that the wire harness conduit runs in the depression at the bottom of the handlebar.
12. Position the clutch hand lever assembly inboard of the switch housing assembly, engaging the tab on the lower switch housing in the groove at the bottom of the clutch lever bracket.
13. Align the hole in the handlebar clamp with the hole in the clutch lever bracket, and start the lower screw with flat washer.
14. Adjust the switch housing and clutch hand control position for rider comfort.
15. Secure first the upper, then the lower handlebar clamp screws. Tighten.
Torque: 6.8–9 N·m (60–80 in-lbs)
16. Secure first the lower, then the upper switch housing screws. Tighten.
Torque: 4–5.4 N·m (35–45 in-lbs)

Remove and Install the Right Side Grip

NOTICE

Do not remove or install the master cylinder assembly without first positioning a 5/32-inch (4 mm) thick insert between the brake lever and lever bracket. Removing or installing the master cylinder assembly without the insert in place may result in damage to the rubber boot and plunger on the front stoplight switch. (00324a)

1. Remove and install the switch housings and the right side grip (throttle twist grip). See service manual.
2. Adjust the switch housing and brake hand control position for rider comfort.
3. Secure first the upper, then the lower handlebar clamp screws. Tighten.
Torque: 6.8–9 N·m (60–80 in-lbs)
4. Secure first the lower, then the upper switch housing screws. Tighten.
Torque: 4–5.4 N·m (35–45 in-lbs)

⚠ WARNING

Before starting engine, be sure throttle control will snap back to idle position when released. A throttle control that prevents engine from automatically returning to idle can lead to loss of control, which could result in death or serious injury. (00390a)

5. Verify that the right grip/throttle sleeve rotates and returns freely and does not bind on the handlebar or switch housing.

CARE AND CLEANING GUIDELINES FOR BRASS PARTS

Cleaning Instructions

1. Verify part is dry and free of dirt or debris.
2. Place a small amount of Harley-Davidson® Chrome Clean & Shine on a microfiber cloth or detailing swab.
3. Using light pressure, rub the brass parts with the microfiber cloth. For hard to reach places or grooves, use the detailing swab.

Obtaining a Bright Finish

Brass parts will naturally age and darken with time. If a bright brass finish is preferred, place some Harley-Davidson Bare Metal Polish on a microfiber cloth and lightly rub on the brass parts until they reach the desired brightness.

Slowing the Natural Aging Process

To slow the aging process of the brass parts, place a small amount of Harley-Davidson Glaze Poly Sealant on a microfiber cloth or detailing swab, and lightly rub on the parts until the sealant has soaked in.

Precautions

- Use of non-recommended cleaning, polishing and protective products will result in the removal of the aged finish from the brass parts.

- Prolonged contact with certain items (hands, gloves, boots, dust, etc.) and exposure to the elements will also alter all surface finishes and is NOT considered a defect.
- Avoid cleaning parts with abrasive and aggressive chemicals and abrasive cleaning pads.
- Avoid ammoniated products and bleach.
- Prolonged exposure to water will alter the brass finish. Wipe down parts after contact with water.
- Excess rubbing may lighten the surface appearance of the part.

SERVICE PARTS

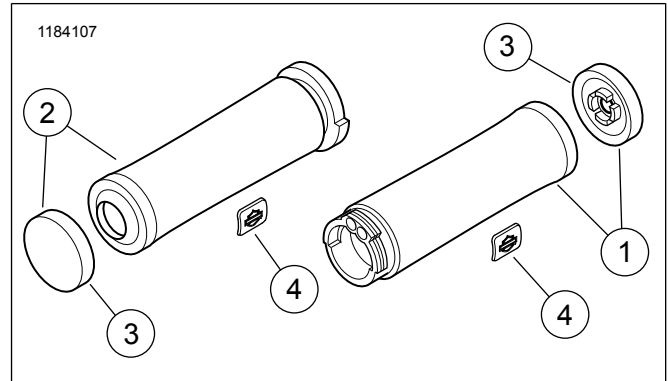


Figure 2. Service Parts: Handlebar Grips (Generic Style Shown)

NOTE

For illustration purposes, generic-styled handlebar grips are shown.

Each grip includes a replaceable end cap, except for Nostalgic, Aileron, Edge Cut, Get-A-Grip, Slipstream, Burst, Streamliner, Brass, Endgame, Airflow and Ride Free grips which have closed ends.

Table 1. Service Parts Table

Kit	Item	Description	Part Number
56100411	1	Grip, right	56100414
56100411	2	Grip, left	56100413
56246-08	3	End cap, Chrome and Rubber, small	56252-96
56257-09	3	End cap, Tribal	56769-09
56263-08	3	End cap, Chrome and Rubber, large	56252-96
56459-08	3	End cap, Contoured Chrome and Rubber	56480-01
56518-08	3	End cap, Flame	56656-02
56729-08	3	End cap, Stealth	56480-01
56740-08	3	End cap, Skull, medium	56754-04
57202-08	3	End cap, Ironside	56480-01
56746-08	3	End cap, Diamond Black	56464-08
57457-10	3	End cap, Edge Cut	N/A
56425-08	3	End cap, Aileron	N/A
56275-08	3	End cap, Nostalgic	N/A
56100015	3	End cap, Get-A-Grip, chrome, large	N/A
56100036	3	End cap, Get-A-Grip, black, large	N/A
56100028	3	End cap, Slipstream	N/A
56100098	3	End cap, Burst	N/A
56100048	3	End cap, Streamliner	N/A
56100108, 56100218	3	End cap, Airflow	N/A
56100133	3	End cap, Brass	N/A
56100157	3	End cap, Defiance, black	56100205
	4	Medallion	14100879
56100158	3	End cap, Defiance, Chrome	56100204
	4	Medallion	14100879
56100174	3	End cap, Defiance, Edge Cut	56100203
	4	Medallion	14100879
56100319	3	End cap, Chrome	56100329
	4	Medallion, Chrome	14101170
56100332	3	End cap, black	56100337
	4	Medallion, black	14101132
56100361	3	End cap, Willie G Skull, Matte black	56100375
56100378	3	End Cap, Ride Free	N/A
56100427	1	Grip, right, chrome	56100424
	2	Grip, left, chrome	56100421
	3	End Cap, Chrome	56100472
	4	Medallion	N/A

Table 1. Service Parts Table

Kit	Item	Description	Part Number
56100428	1	Grip, right, black	56100425
	2	Grip, left, black	561004242
	3	End Cap, black	56100471
	4	Medallion	N/A
56100429	1	Grip, right, black edge cut	56100426
	2	Grip, left, black edge cut	56100423
	3	End Cap, black edge cut	56100470
	4	Medallion	N/A

NOTE: Most hand grips (Items 1 and 2) are **NOT** sold separately.