



# INSTRUCTIONS

J06712

2024-02-29



## POLICE FRONT LIGHTING KITS

### GENERAL INFORMATION

Table 1. General Information

Kits	Suggested Tools	Skill Level <sup>(1)</sup>
68000274, 68000275, 68000289, 68000289A, 68000290, 68000290A, 68000279, 69202610	Safety Glasses, Torque Wrench	
<i>(1) Tightening to torque value or other moderate tools and techniques required</i>		

### KIT CONTENTS

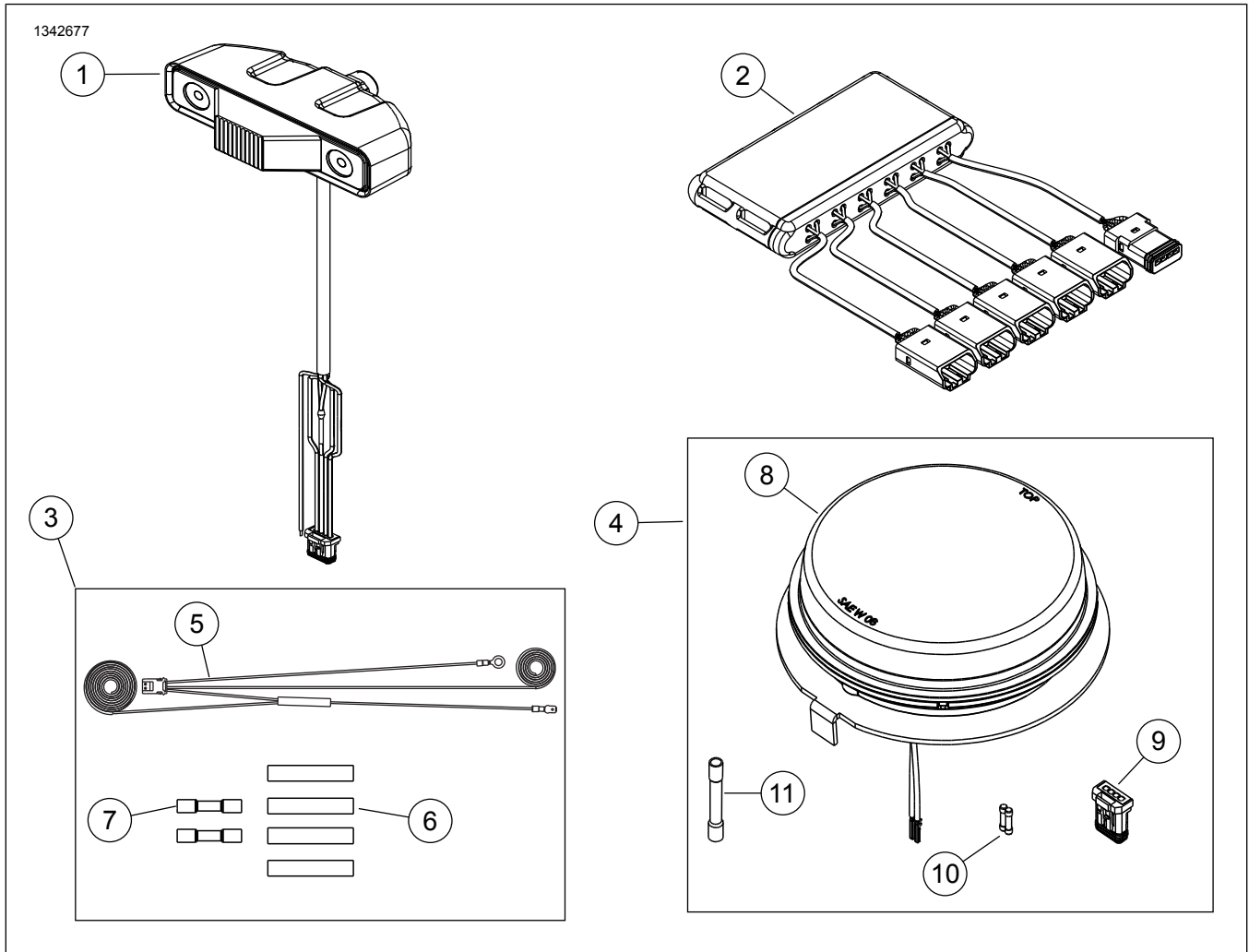


Figure 1. Kit Contents: Forward Lighting Kit Components

**Table 2. Kit Contents: Forward Lighting Kit Components**

<input checked="" type="checkbox"/>	Item	Kit	Kit Items	Qty	Description	Part No.	Notes
<input type="checkbox"/>	1	68000274	1	1	Side Marker Kit, Red	68000274	
		68000275	1	1	Side Marker Kit, Blue	68000275	
<input type="checkbox"/>	2	68000279	2	1	Splice Hub	68000279	
<input type="checkbox"/>	3	69202610	5	1	Wiring Harness, Power Input	Not Sold Separately	
			6	4	Shrink Tube	72266-94	
			7	2	Butt End Splice, Red	70585-93	
<input type="checkbox"/>	4	68000289, 68000289A	8	1	Light Assembly, Red	Not Sold Separately	
			9	1	Connector, Gray		
			10	2	Terminal Plug		
			11	1	Butt End Splice		
			8	1	Light Assembly, Blue		
		68000290, 68000290A	9	1	Connector, Gray		
			10	2	Terminal Plug		
			11	1	Butt End Splice		

**NOTE**

Verify that all contents are present in the kit before installing or removing items from vehicle.

**GENERAL**

**Models**

These kits fit Controller Area Network (CAN) equipped Police vehicles.

Verify that the most current version of the instruction sheet is used. It is available at: [www.harley-davidson.com/isheets](http://www.harley-davidson.com/isheets)

Contact Harley-Davidson Customer Support Center at 1-800-258-2464 (U.S. only) or 1-414-343-4056.

**Installation Requirements**

Use the PATTERN SELECT CONTROL PROGRAMMER (PART NUMBER: 68000276) to program the flash pattern.

**▲ WARNING**

Rider and passenger safety depend upon the correct installation of this kit. Use the appropriate service manual procedures. If the procedure is not within your capabilities or you do not have the correct tools, have a Harley-Davidson dealer perform the installation. Improper installation of this kit could result in death or serious injury. (00333b)

**NOTE**

This instruction sheet references service manual information. A service manual for the year and model motorcycle is required for this installation.

**NOTE**

This instruction sheet references service manual information. A service manual for the year and model motorcycle is required for this installation and is available from:

- A Harley-Davidson dealer.
- H-D Service Information Portal. Subscription based access are available for most 2001 and newer models. For further inquiries see Frequently ask questions about subscriptions.

This item is available at a Harley-Davidson dealership.

- **2024 Road Glide Police (FLTRXP):** Separate purchase of Road Glide Light Emitting Diode (LED) Fog Light Mount Kit (Part No. 68000183) is required.

**Additional Requirements**

Customers who want to enable take down lighting must purchase the following kits and follow the installation instructions in the kits:

- Part No. 70255-02B
- Part No. 71718-02

**PREPARE**

**▲ WARNING**

To prevent accidental vehicle start-up, which could cause death or serious injury, remove main fuse before proceeding. (00251b)

1. Remove main fuse. See service manual.
2. Remove seat. See service manual.
3. Remove fuel tank. See service manual.
4. Expose harness caddy. See service manual.

**SPLICE HUB AND POWER INPUT HARNESS**

**Install**

1. Connect power/input harness.
  - a. Remove top caddy. See service manual.
  - b. Remove negative (-) battery terminal bolt.
  - c. Install ring terminal of 69202610 onto negative (-) battery terminal bolt.
  - d. Install negative (-) battery terminal bolt. Tighten. Torque: 6.8–7.9 N·m (60–70 in-lbs)
  - e. Remove left side cover. See service manual.

- f. Route red wire with blade terminal under left frame rail.
  - g. If installing 68000289, 68000289A or 68000290, 68000290A, remove flasher and install blade terminal in cavity 86 of pursuit relay socket [69B].
  - h. If not installing 68000289, 68000289A or 68000290, 68000290A, keep flasher in place and splice into wire in cavity 86.
  - i. Install left side cover. See service manual.
  - j. Install top caddy. See service manual.
2. If installing Takedown Mode switch:
    - a. Route two white wires through main harness caddy and continue up through right hand controls.
    - b. Splice two white wires from power/input harness to wire from auxiliary ON/OFF switch.
    - c. Secure wires between main harness caddy and auxiliary ON/OFF switch.
    - d. Make sure wires do not pull tight when handlebars are turned fully to left or right fork stops.
  3. Install splice hub.
    - a. Position splice hub on top of top Electronic Control Module (ECM) caddy.

## PAR36

### Remove

1. Remove auxiliary lamp bulb. See service manual.
2. Cut ground wire close to bulb socket in order to retain as much ground wire as possible for future connection.
3. Cut positive (+) connector wire and remove. Retain conduit for installation of new wiring.

### Install

1. Feed red and blue wire with pins on ends down through housing mount.
2. Pull excess wire through mount and route through main harness caddy toward seat.
3. Strip end of remaining ground wire in lamp housing.
4. Splice ground wire on housing to ground wire from lamp.
5. Install lamp to housing and center.
  - a. Push lamp into housing until centering tab bends and lamp is flush with housing.
6. Install trim ring.

7. Secure with screw. Tighten.  
Torque: 1.1–1.6 N·m (10–14 in-lbs)

### Connect

1. Complete programming before connecting.
2. If enabling takedown function, install red wire into number 1 cavity.
3. Install blue wire into number 2 cavity.
4. Install JAE connector to splice hub (2).
5. Secure wires between lamp mount and harness caddy.
6. Make sure wires do not pull tight when handlebars are turned fully to left or right fork stops.

**Table 3. Par36: 68000289, 68000289A, and 68000290, 68000290A**

Wire	Function	Final Terminal
Red	Light Power	Connector, Pin 1
Black	Light Ground	Par36 Housing Splice
Blue	Pattern Select and Takedown Power	Connector, Pin 2

## SIDE MARKERS

### Install

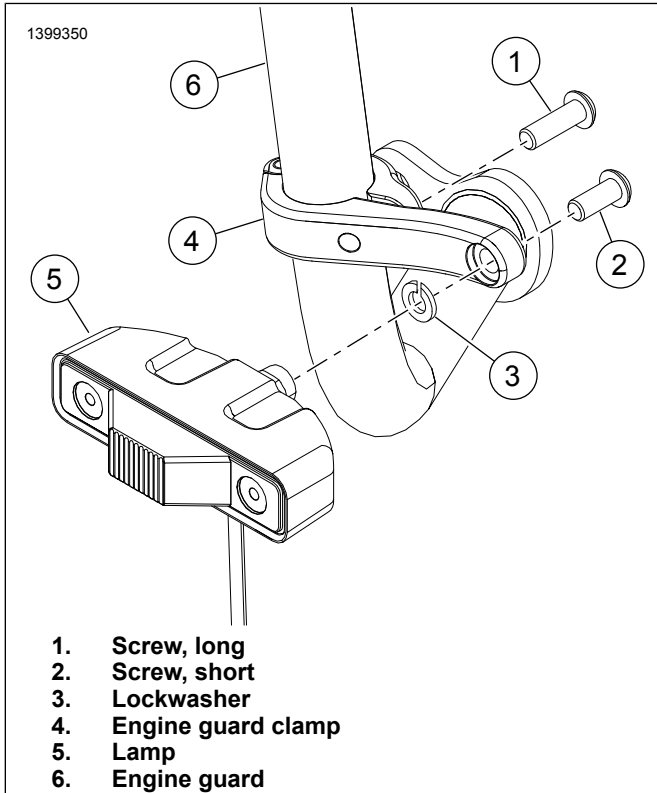
1. Install lamp engine guard clamp kit (68000170). See J05934.
2. Insert screw provided in lamp kit through long side of clamp from shallow counterbore side.
3. Slide lockwasher onto screw threads, into deep counterbore.
4. Apply a few drops of threadlocker to **clean** threads of screw.  
Consumable: LOCTITE 243 MEDIUM STRENGTH THREADLOCKER AND SEALANT (BLUE) (99642-97)
5. Thread screw into lamp, do not fully tighten.
6. Aim lamp as desired. Tighten.  
Torque: 4–4.5 N·m (35–40 in-lbs)
7. Repeat steps 2-6 for opposite side.

### Connect

1. Route cable up engine guard to main harness caddy, secure to guard and frame.
2. Continue routing cable through main harness caddy to splice hub (2).
3. Install JAE connector to splice hub (2).

**Table 4. Side Markers: 68000274 and 68000275**

Wire	Function	Final Terminal
Red	Light Power	Connector, Pin 1
Black	Light Ground	Connector, Pin 4
Blue	Pattern Select	Cut and isolate after programming
Yellow	Sync	Connector, Pin 3
Orange/White	Takedown Power	Connector, Pin 2



**Figure 2. Side Marker Location (Optional)**

## Pattern Programming

Light can be programmed to display 24 different flash patterns, as shown in Table 5. This must be done with PSCP (pattern select control programmer) using the **blue** wires.

1. See Figure 3. Connect 12V power source to PSCP.
  - a. Connect ground wire to GDN terminal of INPUT terminals of the PSCP.
  - b. Connect positive wire to PWR terminal of INPUT terminals of the PSCP.
2. See Figure 3. Connect light array to OUTPUT terminals of PSCP (requires dealer supplied wire).
  - a. Connect RED terminal on JAE connector to PWR terminal of OUTPUT terminals of PSCP.
  - b. Connect BLACK terminal on JAE connector to GND terminal of OUTPUT terminals of PSCP.
  - c. **For Phased:** Strip ends of BLUE wires on light and connect one blue wire to P.SEL terminal of OUTPUT terminals of PSCP. Continue to step 3.

- d. **For Non-Phased:** Strip ends of BLUE wires on light and connect both blue wires to P.SEL terminal of OUTPUT terminals of PSCP. Continue to step 3.
3. Refer to Table 5. Rotate PATTERN SELECT/RESET knob clockwise to select pattern number desired.
    - a. **Phased:** Designated Ph1 to one blue wire and Ph2 to other blue wire. Continue to step 4.
    - b. **Non-Phased:** Continue to step 4.
  4. Press START button.
    - a. PSCP will increment patterns until it gets to desired pattern. Light will remain on for a few seconds to display programmed pattern.
    - b. **Phased:** Disconnect current blue wire and connect other blue wire to P.SEL terminal. Repeat steps 3 and 4.
    - c. **Non-Phased:** Continue to step 5.
  5. Once desired pattern is programmed, disconnect light from PSCP.
    - a. Cut off exposed ends of blue wires.
    - b. Tuck blue and green wires into light.

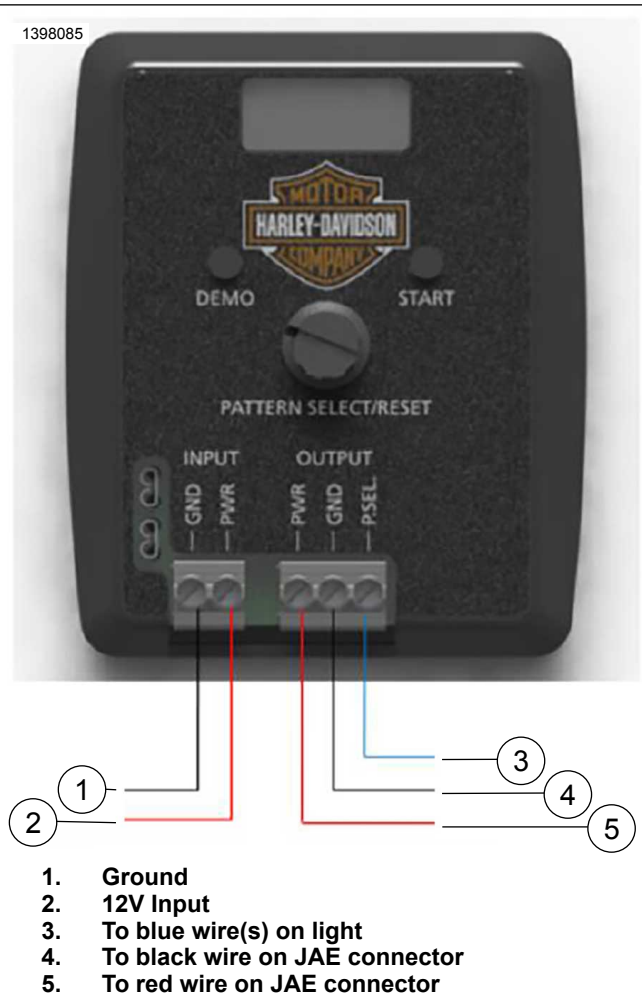


Figure 3. Pattern Programming Setup

# FLASH PATTERN PROGRAMMING

Table 5. Flash Pattern Codes

Flash Pattern	Frequency	Phase	PSCP Code
<b>Applies to ALL 7 color combinations</b>			
Single Flash	75 FPM	Phase 1	1
		Phase 2	2
	120FPM	Phase 1	3
		Phase 2	4
	375 FPM	Phase 1	5
		Phase 2	6
Double Flash	75 FPM	Phase 1	7
		Phase 2	8
	120 FPM	Phase 1	9
		Phase 2	10
Triple Flash	75 FPM	Phase 1	11
		Phase 2	12
Quad Flash	75 FPM	Phase 1	13
		Phase 2	14
	150 FPM	Phase 1	15
		Phase 2	16
<b>Applies to 1 to 3 color combinations ONLY</b>			
CA 13 Single Flash	75 FPM	Phase 1	17
		Phase 2	
CA 13 Double Flash	75 FPM	Phase 1	18
		Phase 2	
NFPA Quad Flash	75 FPM	Phase 1	19
		Phase 2	
ModuFlash	n/a	Phase 1	20
		Phase 2	
2 Double, 2 Quad Flash	n/a	Phase 1	21
		Phase 2	
4 Single, 2 Triple Flash	n/a	Phase 1	22
		Phase 2	
Autorun	n/a	Phase 1	23
		Phase 2	
Steady Burn (Enable for Kits 68000289A and 68000290A <b>ONLY</b> )	n/a / (75FPM)	Phase 1	24
		Phase 2	

**NOTE**

Table 5 is a summary of the in-depth information provided by the supplier. If regulatory information is needed, reference J06720 Clarification Full Flash Chart document.

- To display currently programmed flash pattern, press **DEMO** button. This will simply turn light on for a few seconds.
- Press down on **PATTERN SELECT/RESET** knob to reset pattern number indicator to 0.

**PSCP TIPS**

Utilize the following tips when programming a light with the PSCP:

**NOTE**

This **does not** reset light flash pattern.

- To reset light flash pattern, select pattern number 24 and select **START**.

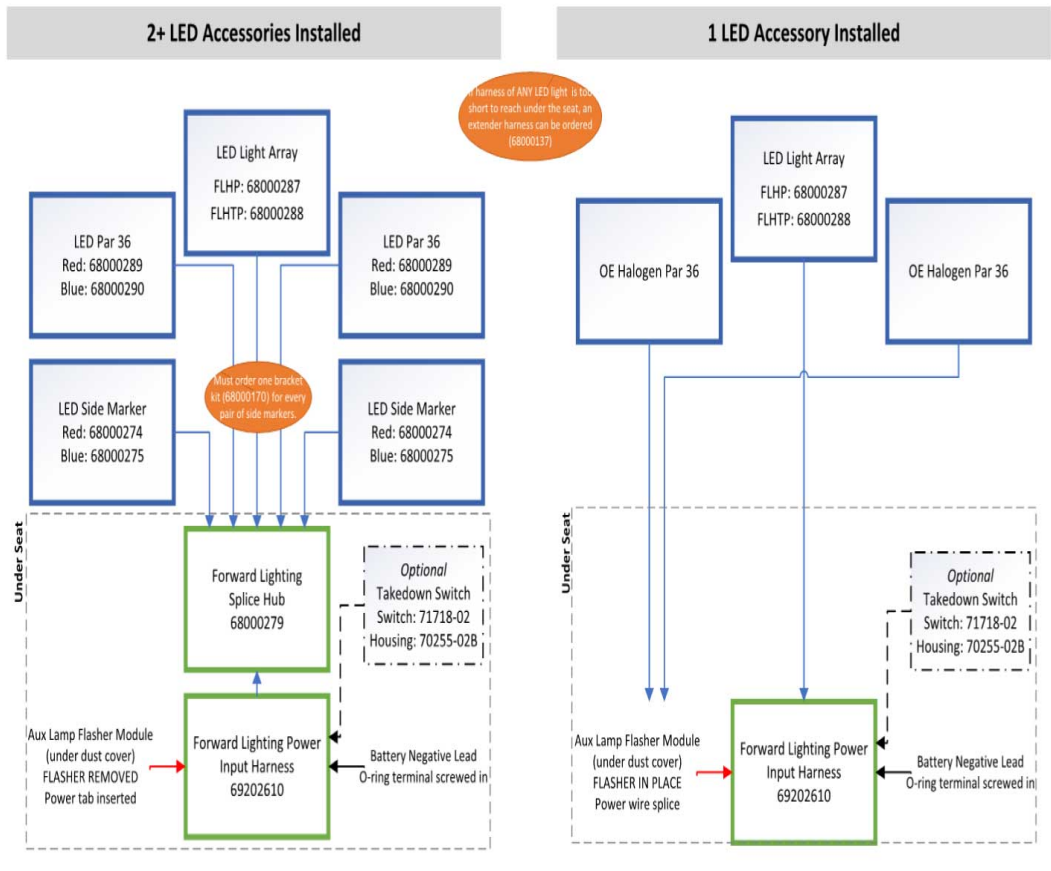


Figure 4. Forward LED Lighting Options

**HARNESS LENGTH ADJUSTMENT**

*NOTE*

2024 Road Glide Police (FLTRXP) requires Road Glide Light Emitting Diode (LED) Fog Light Mount Kit (Part No. 68000183). Refer to Installation Requirements.

1. Instead of coiling or wrapping of excess wire harness around vehicle components, cut harness to length. Refer to Electrical Diagnostic Manual (EDM) for procedures.
  - a. See Figure 5. The splice should start 51 mm (2 in) above connector.
  - b. Remove enough excess wire to form a sufficient new length of wire.
2. Verify with EDM.

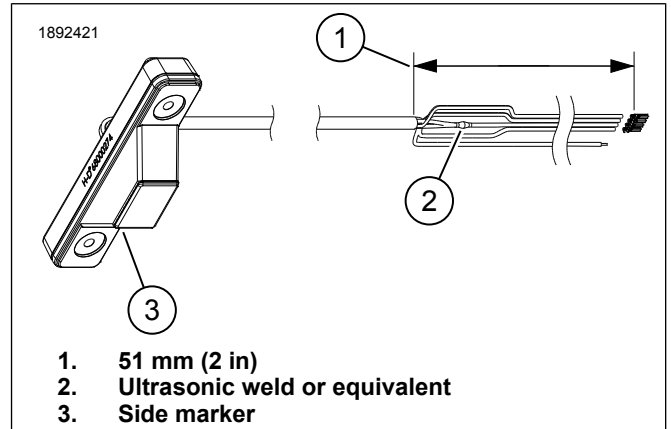


Figure 5. Harness Splice Dimensions

**COMPLETE**

1. Secure splice hub and all wiring with cable ties.
2. Assemble main harness caddy.
3. Install fuel tank. See service manual.
4. Install seat. After installing seat, pull up on the seat to verify that it is secure. See service manual.
5. Install main fuse. See service manual.