



INSTRUCTIONS

J00762

2006-09-27



CHROME FRONT END KIT

GENERAL

Kit Number

46918-00

Models

For model fitment information, please see the P&A Retail Catalog or the Parts and Accessories section of www.harley-davidson.com (English only).

⚠ WARNING

Rider and passenger safety depend upon the correct installation of this kit. Use the appropriate service manual procedures. If the procedure is not within your capabilities or you do not have the correct tools, have a Harley-Davidson dealer perform the installation. Improper installation of this kit could result in death or serious injury. (00333b)

NOTE

It is recommended that this kit be installed by a factory trained technician at an authorized Harley-Davidson dealership.

NOTE

This instruction sheet references Service Manual information. A Service Manual for your model motorcycle is required for this installation and is available from a Harley-Davidson Dealer.

Kit Contents

See Figure 1 and Table 1.

INSTALLATION

Front Forks

Refer to the applicable Service Manual for front fork assembly and installation procedures.

Steering Head Bearing Adjustment

Refer to the applicable Service Manual for steering head bearing adjustment procedures.

SERVICE PARTS

See Figure 1 and Table 1.



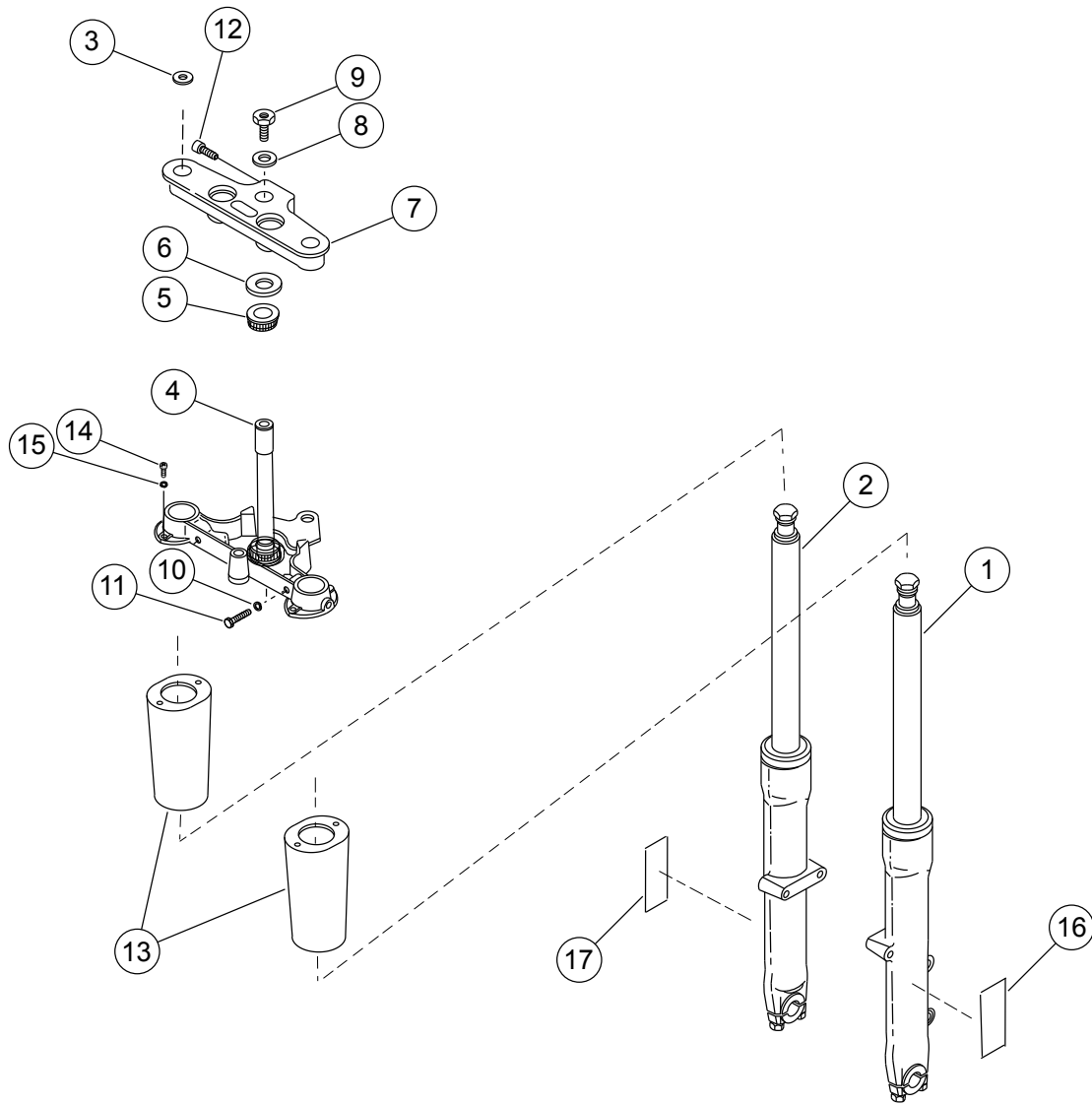


Figure 1. Chrome Front End Kit

Table 1. Service Parts Table

Item	Description (Quantity)	Part Number	Item	Description (Quantity)	Part Number
1	Left Fork Assembly	46211-01	10	Capscrew, hex head (2)	4729
2	Right Fork Assembly	46212-01	11	Lockwasher (2)	7039
3	Spacer, triple clamp (2)	5710	12	Capscrew, socket head torx	4352
4	Lower fork stem assembly	45605-00	13	Chrome fork tube cover kit (2)	45963-97
5	Cone bearing, steering head	Not Sold Separately	14	Screw, self-tapping, hex head (4)	3739
6	Dust shield, upper bearing	48361-80	15	Lockwasher, internal tooth (4)	7124
7	Upper triple tree fork bracket	45456-86A	16	Reflector, amber, left	59482-00
8	Washer	6655	17	Reflector, amber, right	59481-00
9	Bolt, steering stem adjustment	4453			