



INSTRUCTIONS

J01988

2012-02-15



FINNED HEAD BOLT COVER KIT

GENERAL

Kit Number

43857-00, 43859-00, 43840-01, 43841-01, 61400148

Models

For model fitment information, see the P&A Retail Catalog or the Parts and Accessories section of www.harley-davidson.com (English only).

Kit Contents

See Figure 2 and Table 1.

INSTALLATION

NOTE

Let engine cool down completely before installing this kit.

Install Front Cover

NOTE

The front and rear head bolt covers are different. The front head bolt cover has "front" cast on the inside surface; the rear head bolt cover has "rear" cast on the inside surface.

1. Disconnect spark plug boot from front spark plug.
2. See Figure 2. Install mounts (3) to head bolts using set screws and tighten securely.
3. Place the head bolt cover (1) marked "front" on the head over spark plug and mounts (installed in Step 2). Insert cap screw (4) through top of cover, align with threaded hole in top of cover mount and tighten securely. Repeat for remaining cover screw.

NOTE

On Dyna® and Softail® models, perform step 4 prior to installing the front spark plug boot. For all other models, proceed to Step 5.

4. Dyna and Softail Models:

- Cut and remove the plastic tie wrap retaining the front cylinder spark plug wire to the horn support bracket. (Clear the tie wrap/retainer completely out of the holes in the horn support bracket).

- See Figure 2. Install the shield onto the front cylinder spark plug wire. Route plug wire with shield under horn support bracket, then assemble cable straps over plug wire, lacing end of cable strap through horn support bracket, but do not pull tight at this time. Position shield so it protects wire in area of horn support bracket.

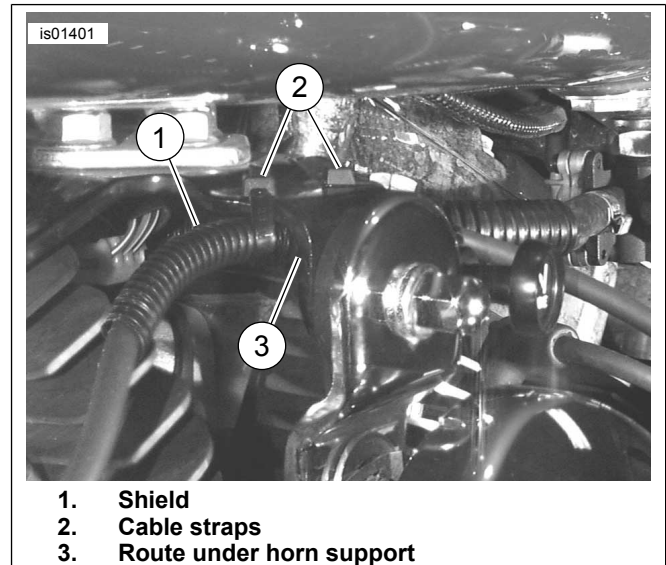


Figure 1. Conduit and front Plug Wire Routing (Dyna/Softail)

5. Connect the front spark plug wire boot to plug and align boot.
6. Pull cable straps tight and snip off excess.

Install Rear Cover

1. Disconnect spark plug boot from rear spark plug.
2. Install mounts (3) to head bolts using set screws and tighten securely.
3. Place the head bolt cover (2) marked "rear" on the head over spark plug and mounts (installed in Step 2). Insert cap screw (4) through top of cover, align with threaded hole in top of cover mount and tighten securely. Repeat for remaining cover screw.
4. Connect the rear spark plug wire boot to the plug.



SERVICE PARTS

is01402

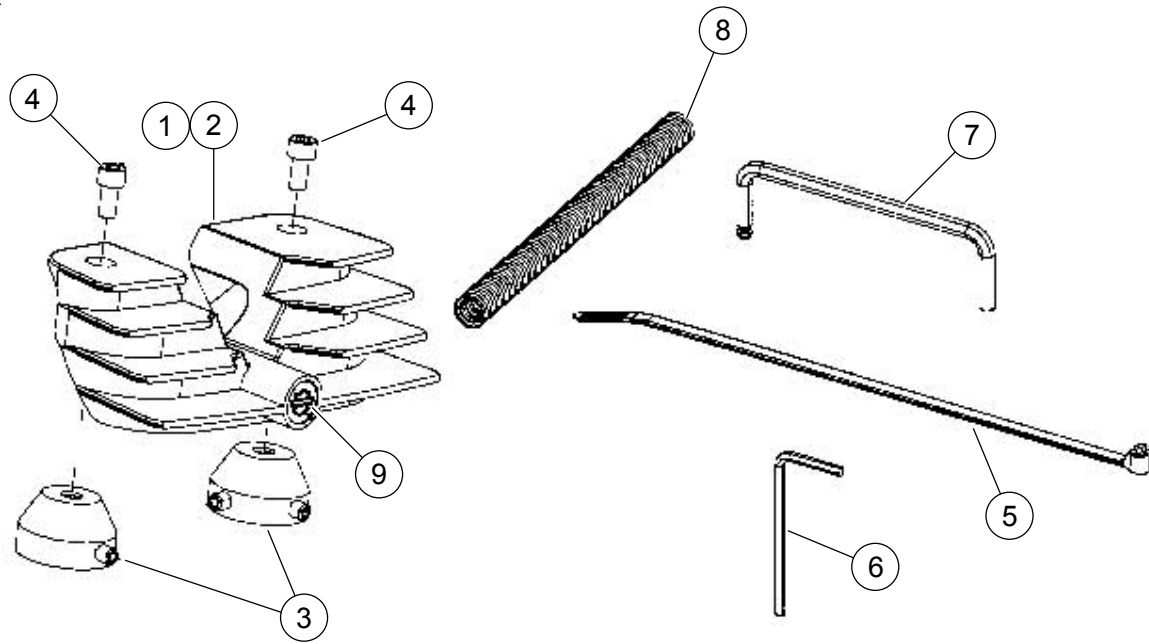


Figure 2. Service parts: Finned Headbolt Cover Kit

Table 1. Service Parts Table

Item	Description (Quantity)	Part Number	Item	Description (Quantity)	Part Number
1	Cover, headbolts front	Not sold	6	Wrench, hex key (3/32 inch)	Not sold
2	Cover, headbolts rear	Not sold	7	Wrench, hex key (5/32 inch)	Not sold
3	Assembly, mounts (4)	43874-00A	8	Shield, split flex (Dyna/Softail only)	63641-00
4	Cap screw, socket head, 10-32 x 3/8 inch (4)	Not sold	9	Logo, bar and shield (2)	Not Sold
5	Cable strap (2) (Dyna/Softail only)	10006			