



INSTRUCTIONS

J00806

2006-05-07



TRANSMISSION END-COVER KIT (FINNED)

GENERAL

Kit Number

34806-01

Models

Fits 1987-2006 Evolution 1340 and 1999-2006 Twin Cam-equipped models (except 1998-2006 Touring models with stock exhaust, and 2006 Dyna models).

Additional Parts Required

Loctite® 243 (blue), Harley Davidson Part Number 99642-97, is available from a Harley-Davidson Dealer.

Kit Contents

Table 1. Kit Contents

Description (Quantity)	Part Number
Transmission end cover, finned	Not Sold Separately
Socket head screw, 1/4"-20 x 2-1/2" (2)	Not Sold Separately

INSTALLATION

1. See Figure 1. Remove the existing two 2-1/4 inch long hex socket screws from the sides of the clutch-release cover as shown. Discard the screws.
2. Position the transmission end-cover over the clutch-release cover so the Bar-and-Shield logo appears at the lower left.
3. Apply Loctite 243 (blue) to the threads on the two longer screws from the kit (2).
4. Fasten the transmission end-cover (1) to the clutch-release cover using the new, longer screws (2). Tighten the screws to 9.5–12 N·m (84–108 in-lbs).

NOTE

Because the Transmission Cover is new and some lightening of the original black finish on the engine may have occurred over time, use S100 Engine Restorer and Brightener (Part Number 99849-97) to improve the overall match between the cover and engine. S100 Engine Restorer and Brightener is available at your Harley-Davidson Dealer.

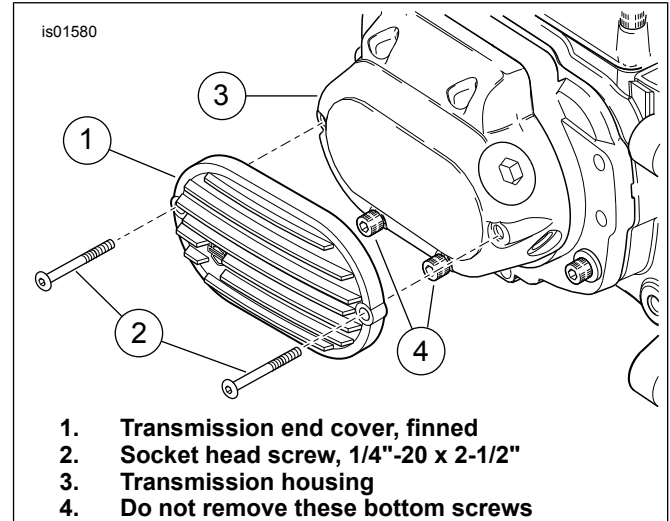


Figure 1. Transmission End-Cover Installation

