



INSTRUCTIONS

J00811

2009-06-15



DYNA RIGID-MOUNT SADDLEBAGS

GENERAL

Kit Numbers

79078-02, 90369-02, 90564-02, 79300-04C

Models

For model fitment information, see the P&A Retail Catalog or the Parts and Accessories section of www.harley-davidson.com (English only).

Additional Parts Required

Proper installation of these kits on 2002-2005 FXDWG models requires the installation of Turn Signal Relocation Kit (68718-02).

Proper installation of these kits on FXD, FXDL or FXDX models requires the installation of Turn Signal Relocation Kit (68732-02A) (Domestic) or Turn Signal Relocation Kit (68733-02A) (HDI).

Separate purchase of LOCTITE® 243 Threadlocker and Sealant - Blue (99642-97) is required for proper installation of this kit. LOCTITE can be purchased from any Harley-Davidson Dealer.

▲ WARNING

Rider and passenger safety depend upon the correct installation of this kit. Use the appropriate service manual procedures. If the procedure is not within your capabilities or you do not have the correct tools, have a Harley-Davidson dealer perform the installation. Improper installation of this kit could result in death or serious injury. (00333b)

NOTE

This instruction sheet references service manual information. A service manual for your model motorcycle is required for this installation and is available from a Harley-Davidson Dealer.

Kit Contents

See Figure 2 and Table 1.

INSTALLATION

▲ WARNING

Do not exceed saddlebag weight capacity. Put equal weight in each bag. Too much weight in saddlebags can cause loss of control, which could result in death or serious injury. (00383a)

NOTE

Maximum saddlebag weight capacity is 7 pounds (3.2 Kg).

To simplify installation, raise the motorcycle on a motorcycle lift and remove the lower bolt from both rear shock absorbers,

(to allow rear wheel to drop and allow access to the fender strut and turn signal hardware).

Complete the following procedure on one side of the motorcycle before working on the other side.

Refer to Figure 2 for the following procedure.

1. Refer to the service manual for instructions to remove the screws fastening the stock turn signals to the rear fender side cover. Route the wires to accommodate the turn signal relocation kit for your model motorcycle.
2. Install the chrome plug (5) into the rear fender side cover hole as shown.
3. Insert the 3-inch long bolts (7) with the thin washers (6) through the inside of the fender.
4. Install the spacers (4) onto the bolts (7) as they protrude through the side cover.

NOTE

On vehicles equipped with detachable side plates and for kit numbers 90369-06 and 90564-06 only, replace the spacers (4) in this kit with the detachable mounting points from the detachable side plate kits.

5. Install the saddlebags onto the bolts as follows:

Use one thick washer (3) per bolt (7) if:

- Rigid-mount side plates are installed on the vehicle.
- The vehicle comes equipped with a spacer.
- The vehicle has no spacer and detachable side plates are installed.

Use two thick washers (3) per bolt (7) if:

- No rigid-mount side plates are installed on the vehicle.
- The vehicle does not come equipped with a spacer (see Figure 2).
- The vehicle has no spacer (see Figure 2) and detachable side plates are installed.

6. Install an acorn nut (2) onto the bolts (7) from the inside of the saddlebag. Tighten the nuts to 34 N·m (25 ft·lbs).

▲ WARNING

Federal Motor Vehicle Safety Standard (FMVSS) 108 requires motorcycles to be equipped with rear and side reflectors. Be sure rear and side reflectors are properly mounted. Poor visibility of rider to other motorists can result in death or serious injury. (00336b)

7. Apply a small amount of paint on the ends of the studs on back of reflector mount.



8. See Figure 1. Measure approximately 1-1/2 in (38 mm) from the bottom edge of the saddlebag. Orient the reflector horizontally and carefully center the reflector mount between the straps of bags with straps or locate it at the rearward portion of bags without straps. Gently press reflector mount to saddle bag so paint marks transfer and punch or drill small holes through saddlebag where paint marks transferred to saddlebag.
9. Remove adhesive backing from reflector and firmly press reflector into reflector mount.
10. Install reflector assembly to saddlebag and secure with push nuts.
11. Repeat for the other saddlebag.
12. If the lower bolt from the rear shock absorbers for saddlebag installation was removed: Install the hardware in reverse order of removal. Apply Loctite® 243 (blue) to the lower shock bolt threads. Tighten the fasteners to 34–54 N·m (25–40 ft-lbs).

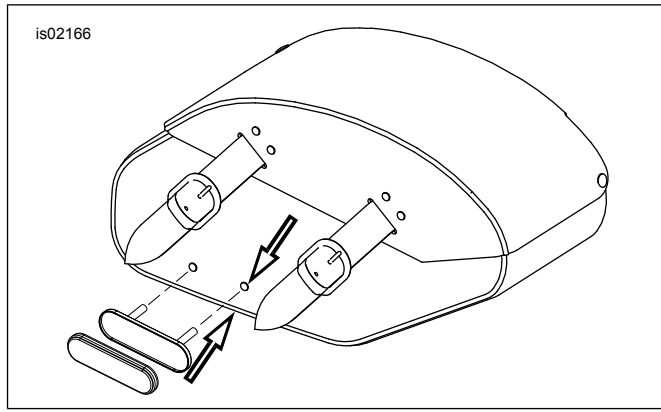


Figure 1. Install Reflector

CARE AND MAINTENANCE

To open the saddlebag: Disengage the snaps then unbuckle the quick connect buckles.

For saddlebags with lid snaps: It will be necessary to periodically oil the snaps. Smear a drop of motor oil into the female side of the snap, being careful not to get any of the oil on the leather. Oil the snaps every two to three weeks.

Apply the Genuine Leather Dressing included with your saddlebag according to the directions included with the leather care kit.

SERVICE PARTS

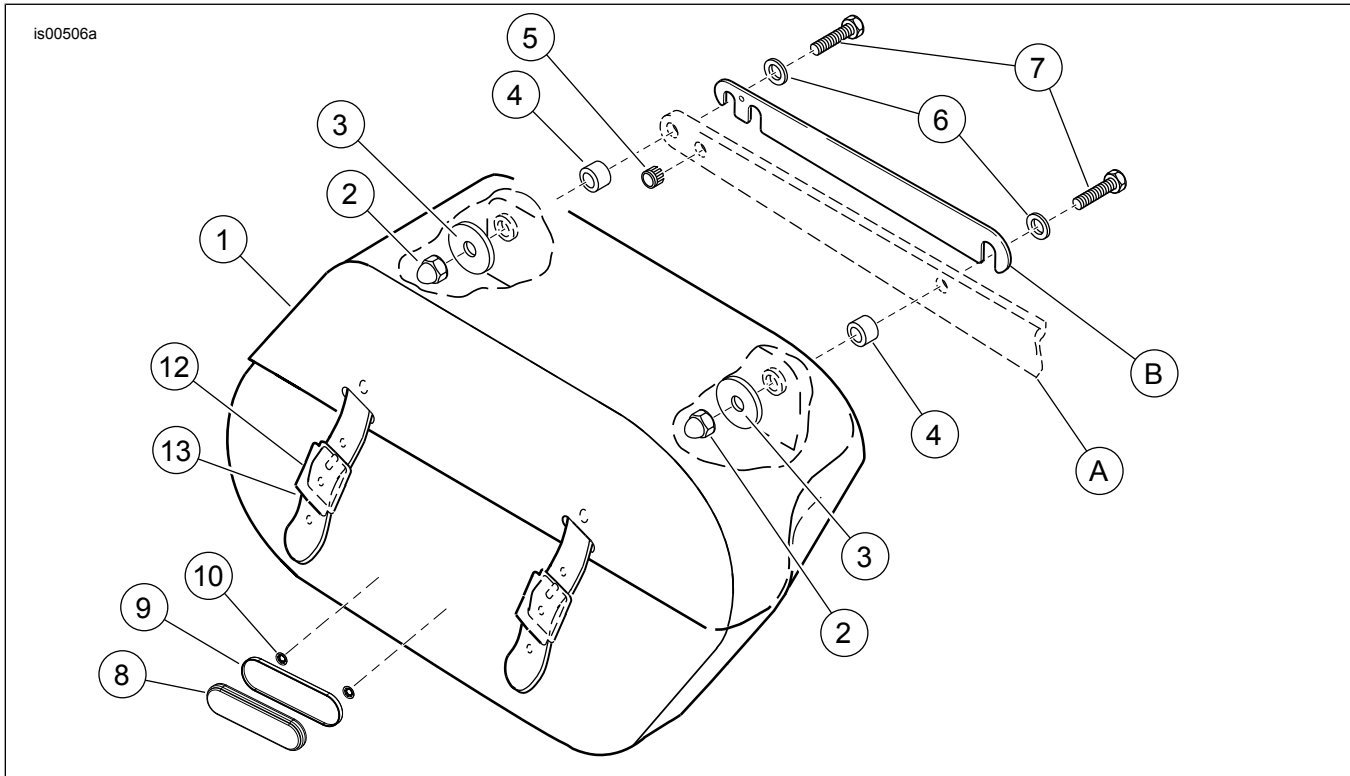


Figure 2. Service Parts for 2002-2005 Applications

Table 1. Service Parts Table

Item	Description (Quantity)	Part Number
1	Saddlebag, right side (generic saddlebag shown)	
	• Kit 79078-02	79080-02
	• Kit 90369-02	90370-02

Table 1. Service Parts Table

Item	Description (Quantity)	Part Number
	• Kit 90564-02	90565-02
	• Kit 79300-04C	79301-04A
	Saddlebag, left side (not shown)	
	• Kit 79078-02	79079-02
	• Kit 90369-02	90373-02
	• Kit 90564-02	90569-02
	• Kit 79300-04C	79302-04A
2	Acorn, nut (4)	7862
3	Washer, thick (8)	6519
4	Medium spacer, 0.9 in (22.9 mm) (4)	40950-98A
5	Chrome plug (2)	56239-93
6	Washer, thin (4)	6701
7	Bolt, hex head, 3/8-16 X 3 in (4)	3526
8	Reflector, red (2)	59270-10
9	Reflector mount (2)	Not Sold Separately
10	Push nut (4)	8126A
11	Leather dressing (not shown)	Not Sold Separately
12	Chrome buckle with male disconnect (4) (Kit 79300-04C)	90453-04
13	Female disconnect (4) (Kit 79300-04C)	90454-04
	Hardware kit (includes items 2, 4-7)	92025-09
	Reflector kit (includes items 8-10)	59480-04A
Items mentioned in text, but not included in kit:		
A	Fender cover	
B	Spacer	