



INSTRUCTIONS

J01544

2016-08-22



SWITCHED CIRCUIT ADAPTER HARNESS

GENERAL

Kit Number

70264-94A

Models

This harness is used on 1994 and later Touring and Trike models. It allows two switched 12 VDC and ground connections to accessories.

For model fitment information, see the P&A retail catalog or Parts and Accessories section of www.Harley-Davidson.com (English only).

1994-2013 Models: The two accessories can then be turned ON and OFF simultaneously with the accessory switch.

2014 and later Models: The two accessories can then be operated simultaneously with the ignition switch in the ON or ACC position.

NOTE

To connect extra accessories, add more Switched Circuit Adapter Harnesses in series. Do not overload the vehicle's charging system.

Installation Requirements

2014-2016 Models: Unless already installed, an Electrical Connection Harness (Part No. 69200722) is needed. This item is available separately from a Harley-Davidson dealer.

2017 and later Models: Unless already installed, an Electrical Connection Harness (Part No. 69201599) is needed. This item is available separately from a Harley-Davidson dealer.

2014 and later Models: An Auxiliary Power Switch kit (see catalog) is required to enable accessory switches. See instruction in that kit for installation.

ELECTRICAL OVERLOAD

NOTICE

It is possible to overload the vehicle's charging system by adding too many electrical accessories. If the combined electrical accessories operating at any one time consume more electrical current than the vehicle's charging system can produce, the electrical consumption can discharge the battery and cause damage to the vehicle's electrical system. (00211d)

⚠ WARNING

When installing any electrical accessory, be certain not to exceed the maximum amperage rating of the fuse or circuit breaker protecting the affected circuit being modified. Exceeding the maximum amperage can lead to electrical failures, which could result in death or serious injury. (00310a)

The power from this harness is fused at 15 amps through the vehicle harness.

Service Parts

Harness comes fully assembled. See Figure 2 and Table 1.

PREPARATION

Vehicles With Main Fuse:

NOTE

For vehicles equipped with security siren:

- **2007 and later:** With security fob present, turn ignition switch ON.
- **2006 and earlier:** Disarm the siren with the key fob.

ALL years: After system is disarmed, turn ignition switch OFF.

⚠ WARNING

To prevent accidental vehicle start-up, which could cause death or serious injury, remove main fuse before proceeding. (00251b)

1. See the owner's manual to remove the main fuse. Remove seat. Retain the seat and all mounting hardware.

Vehicles With Main Circuit Breaker:

NOTE

For vehicles equipped with security siren: Disarm the siren with the key fob. After system is disarmed, turn ignition switch OFF.

⚠ WARNING

To prevent accidental vehicle start-up, which could cause death or serious injury, disconnect negative (-) battery cable before proceeding. (00048a)

1. See the owner's manual to remove the seat and disconnect the negative (black) battery cable from the negative battery terminal. Retain all seat mounting hardware.



INSTALLATION

1. See Figure 1. **1994-2013 Models:** Plug the four-way Deutsch socket housing (1) into the accessory circuit pin housing located forward of the battery. **2014-2016 Models:** Plug the four-way Deutsch socket housing (1) into the Electrical Connection Harness (Part No. 69200722, purchased separately). **2017 and later Models:** Plug the four-way Deutsch socket housing (1) into the Electrical Connection Harness (Part No. 69201599, purchased separately).
2. Plug the accessory socket housings into the pin housings (2) of the harness.

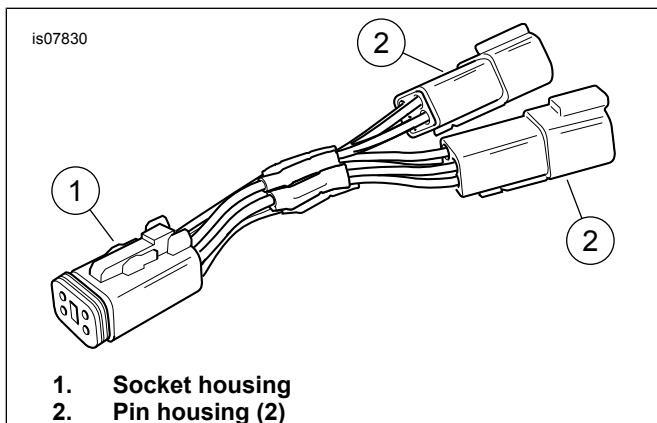


Figure 1. Switched Circuit Adapter Harness

COMPLETION

NOTE

To prevent possible damage to the sound system, verify that the ignition switch is OFF **before** installing the main fuse or attaching the negative battery cable.

1. **Models with main fuse:** See the owner's manual to install the main fuse. **Models with main circuit breaker:** See the owner's manual to attach the negative battery cable. Apply a light coat of petroleum jelly or corrosion retardant material to battery terminals.
2. Install seat. See service manual. After installing seat, pull up on the seat to verify that it is secure.
3. **1994-2013 Models:** Turn the accessory switch ON and OFF to check for proper operation.

SERVICE PARTS

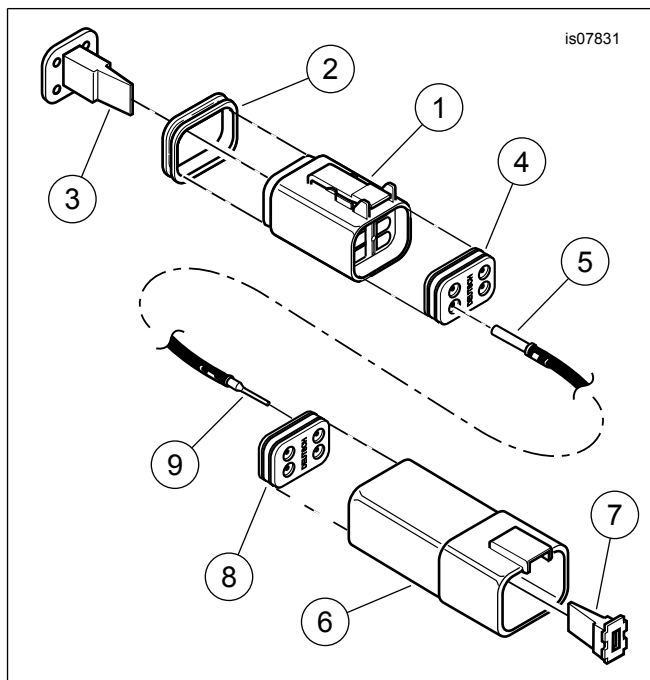


Figure 2. Service Parts, Switched Circuit Adapter Harness

Table 1. Service Parts

Item	Description (Quantity)	Part Number
1	Socket housing, four-way, Deutsch DT Series	72114-94BK
2	Front seal, four-way Deutsch socket housing	72174-94
3	Secondary lock, four-way Deutsch socket housing	72154-94
4	Rear seal, four-way Deutsch socket housing	Not sold separately
5	Socket terminal (4)	72191-94
6	Pin housing, four-way, Deutsch DT Series (2)	72104-94BK
7	Secondary lock, four-way Deutsch pin housing	72144-94
8	Rear seal, four-way Deutsch pin housing	Not sold separately
9	Pin terminal (8)	72190-94