



INSTRUCTIONS

J01547

2007-08-09



SOFTAIL REAR SADDLEBAG GUARDS

GENERAL

Kit Number

49261-00A

Models

For model fitment information, please see the P&A Retail Catalog or the Parts and Accessories section of www.harley-davidson.com (English only).

Additional Parts Required

Heritage-Style Saddlebag Bracket Relocation Kit, Part Number 90238-00, must also be or previously been installed when installing this Rear Saddlebag Guard Kit on FLSTC models with factory-installed leather saddlebags, and on other Softail models equipped with Heritage-Style Saddlebag Kit, Part Number 90835-90.

⚠ WARNING

Rider and passenger safety depend upon the correct installation of this kit. Use the appropriate service manual procedures. If the procedure is not within your capabilities or you do not have the correct tools, have a Harley-Davidson dealer perform the installation. Improper installation of this kit could result in death or serious injury. (00333b)

NOTE

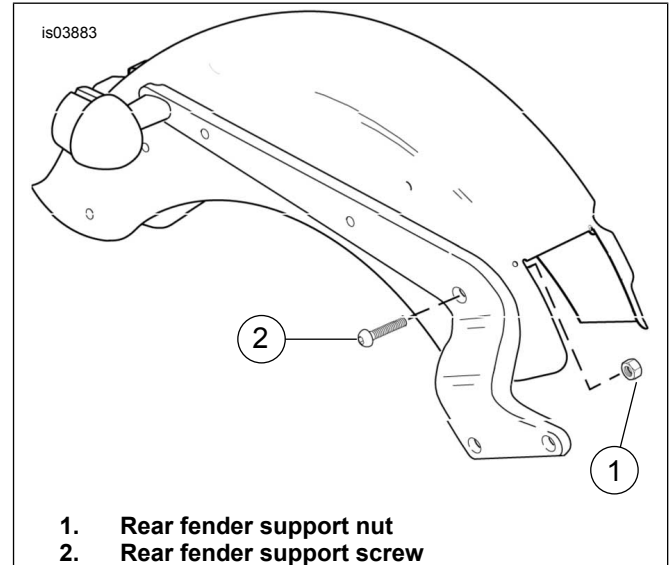
This instruction sheet references Service Manual information. A Service Manual for your model motorcycle is available from a Harley-Davidson Dealer.

Kit Contents

See Figure 3 and Table 1.

INSTALLATION

1. Remove saddlebag, if equipped, from motorcycle.
2. Remove passenger footpeg or passenger footboard assembly (including footboard mount) from vehicle.
3. See Figure 1. Remove nut (1), seat strap bracket (if equipped) and 3/8 inch diameter bolt (2) from indicated position on rear fender support (immediately to the rear of the front seat) Discard the bolt, but save the nut for reinstallation. This location is where the upper part of the saddlebag guard will mount.

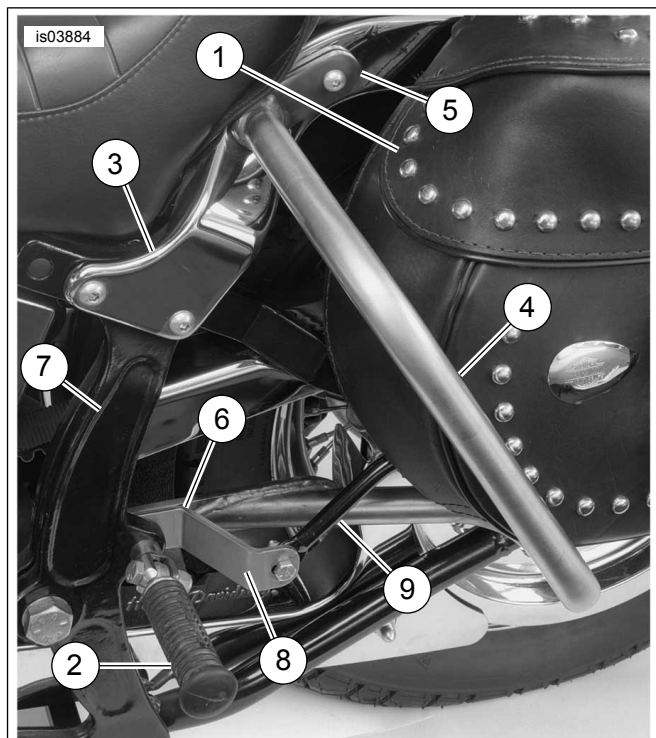


1. Rear fender support nut
2. Rear fender support screw

Figure 1. Hardware Removal

4. See Figure 2. Install saddlebag guard (4) top flange (5) against fender support (3). Install 3/8-16 x 1-3/4 inch button head bolt with the seat strap bracket (if equipped) and hardware removed in Step 3 (if equipped) and nut in same direction as bolt removed in Step 3. Finger tighten only.
5. Position bottom flange (6) of saddlebag guard (4) against inboard surface of motorcycle frame (7) at location where passenger footpeg (2) (or passenger footboard bolt) attaches. If Heritage-Style Saddlebag relocation kit, Part Number 90238-00 is to be installed, the bracket should be positioned between the saddlebag guard flange and the motorcycle frame member. Follow installation instructions included with that kit.

6. See Figure 3. Determine your model application and follow the applicable installation procedure below: **On models with passenger footpeg, but without saddlebag relocation bracket:** Install 3/8-16 x 2-3/4 inch socket head cap screw (6) (For 2007 and later FLSTC Models, use the 3-1/2 inch long socket head cap screw (7) from kit) through footpeg support (B). Install support to frame. Tighten support bolt to 35-45 ft-lbs (47-61 Nm). Install lower saddlebag guard flange over bolt protruding from inboard surface of frame member. Install 3/8-16 lock nut to end of bolt. Tighten to 35-45 ft-lbs (47-61 Nm). Install footpeg (C) according to Service Manual instructions. **On models with passenger footpeg and saddlebag relocation bracket:** Install 3/8-16 x 2-3/4 inch socket head cap screw (6) (For 2007 and later FLSTC Models, use the 3-1/2 inch long socket head cap screw (7) from kit) through footpeg support. Install support to frame. Tighten support bolt to 35-45 ft-lbs (47-61 Nm). Position saddlebag relocation bracket over bolt. Install lower saddlebag guard flange over bolt protruding from inboard surface of frame member. Install 3/8-16 lock nut to end of bolt. Tighten nut to 35-45 ft-lbs (47-61 Nm). Install footpeg (c) according to Service Manual instructions. **On models with passenger footboard with or without toolbox:** Install 3/8-16 x 2-1/4 inch socket head cap screw (5) through passenger footboard mount and toolbox bracket (if equipped). Tighten footboard mounting bolt to 35-45 ft-lbs (47-61 Nm). Position saddlebag relocation bracket over bolt. Install lower saddlebag guard flange over bolt protruding from inboard surface of frame member. Install 3/8-16 lock nut (4) to end of bolt. Tighten nut to 35-45 ft-lbs (47-61 Nm). **On models with passenger footpegs and tool box:** Install 3/8-16 x 2-1/4 inch socket head cap screw (5), from the inboard side of the motorcycle, through hole in saddlebag guard bottom flange, saddlebag relocation bracket into the the motorcycle frame member. Tighten bolt to 35-45 ft-lbs (47-61 N-m). Install passenger footpeg spacer to the end of the bolt. Tighten footpeg spacer to 35-45 ft-lbs (47-61 Nm). Install passenger footpeg support to end of footpeg spacer. Tighten to 35-45 ft-lbs (47-61 Nm). Install footpeg (C) according to Service Manual instructions.



1. Heritage-style saddlebag
2. Passenger footpeg
3. Rear fender support
4. Saddlebag guard
5. Saddlebag guard top flange
6. Saddlebag guard bottom flange
7. Motorcycle frame member
8. Saddlebag relocation bracket
9. Saddlebag support

Figure 2. Rear saddlebag Guard Installed-Left Side

7. See Figure 1. Tighten nut (1) that secures saddlebag guard top flange (see Step 4) to 21-27 ft-lbs (27-37 N-m). Reinstall saddlebag, if equipped, to motorcycle. If not already connected, attach loose end of the saddlebag relocation bracket to the lower leg of the saddlebag support with the fasteners from the relocation bracket kit. Repeat Steps 1-7 for installing saddlebag guard on opposite side of motorcycle.
8. Discard remaining original and kit mounting hardware.

SERVICE PARTS

is03887

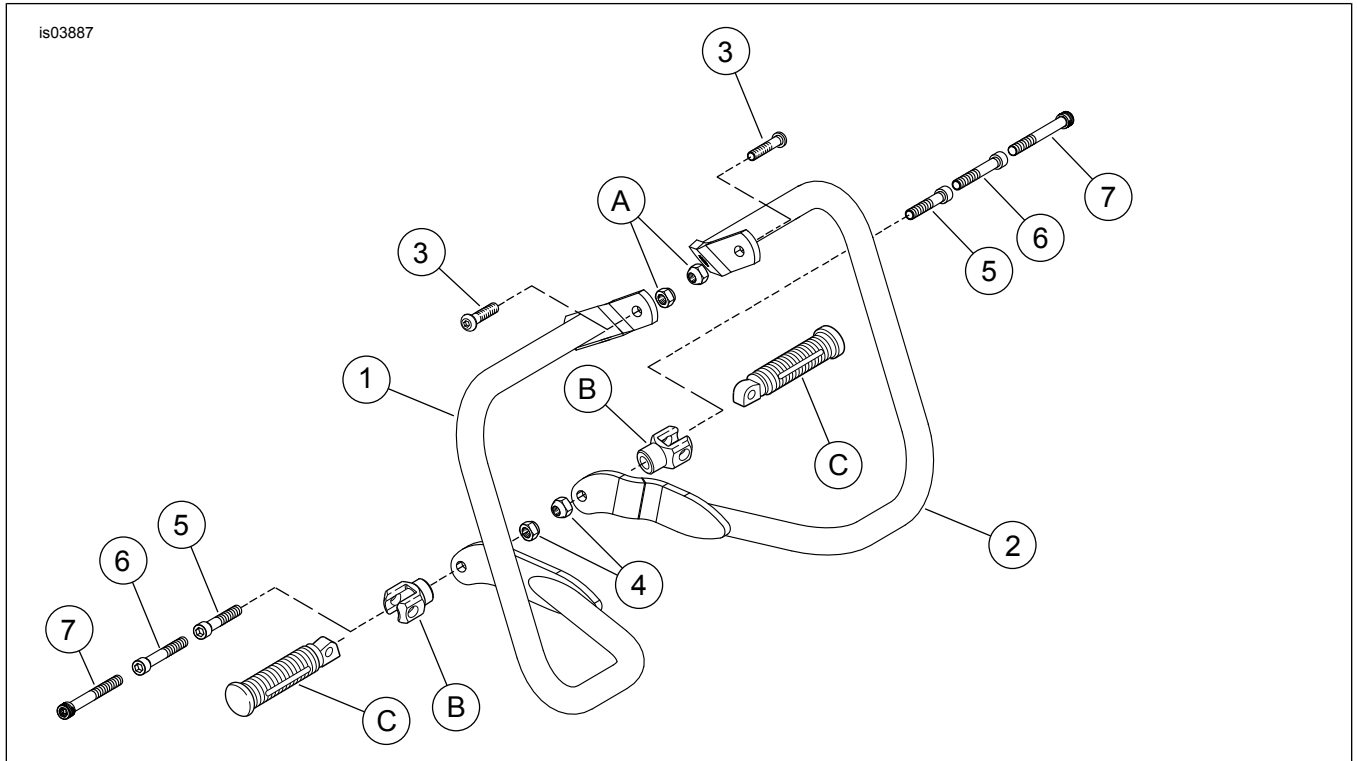


Figure 3. Service Parts: Softail Rear Saddlebag Guard

Table 1. Service Parts Table

Item	Description (Quantity)	Part Number
1	Saddlebag Guard, left	49263-00A
2	Saddlebag Guard, right	49262-00A
3	Screw, button head (2)	4203
4	Locknut (2)	7778
5	Screw, socket head, 2-1/4 inch long (2)	4201
6	Screw, socket head, 2-3/4 inch long (2)	4209
7	Screw, socket head, 3-1/2 inch long (2)	4693
Items mentioned in text, but not included in kit:		
A	Nut (2)	
B	Footpeg support (2)	
C	Footpeg (2)	