



INSTRUCTIONS

J02047

2006-02-20



HEEL REST KIT

GENERAL

Kit Number

50227-01, 50236-01

Models

Kit **50227-01** is designed for forward controls and fits:

- 1989 and later FX Softail Models with Original Equipment (OE) Forward Controls,
- 1993 through 2002 FXDWG,
- Dyna models equipped with Forward Control Kit 49080-93 or 49080-93A. Kit 50227-01 **does not** fit Dyna models equipped with Forward Control Kit 49080-03 or Forward Control Footrest Support 33695-03 (left) or 33697-03 (right).

Kit **50236-01** is designed for mid controls and fits:

- all 1990 and later Dyna Model Motorcycles with Original Equipment (OE) Mid Controls.

Additional Parts Required

Proper installation of this kit also requires installing a pair of Heel Rest Pegs, or Shifter Pegs, which can also be mounted as heel rests. Refer to the appropriate Parts Catalog for stock shifter pegs, sold separately.

The current Harley-Davidson Genuine Motor Accessories and Parts catalog also has a selection of Heel Rest Pegs or Shifter Pegs and matching Footpegs. Any shifter peg style that is symmetrical in design can be used as a left or right side heel rest.

⚠ WARNING

Rider and passenger safety depend upon the correct installation of this kit. Use the appropriate service manual procedures. If the procedure is not within your capabilities or you do not have the correct tools, have a Harley-Davidson dealer perform the installation. Improper installation of this kit could result in death or serious injury. (00333b)

NOTE

A Service Manual for your model motorcycle is available from a Harley-Davidson Dealer.

Kit Contents

See Figure 1 and Table 1.

INSTALLATION

NOTE

See Figure 1 for the following procedure.

1. Remove the screw (B), lock nut (C) and spring washer (E) securing the left footpeg to the footrest support bracket (A). Save the hardware for later installation.

NOTE

Heel rest levers are side-specific. Levers mount so the set screws are on the underside.

2. Obtain a Heel Rest Peg or Shifter Peg (D) (purchased separately) and the left side heel rest lever (3). Apply Loctite[®] 243 (7) to the threads of the peg and install it to the left heel rest lever.
3. Obtain the screw (B), spring washer (E) and lock nut (C) removed in step 1, and the heel rest lever and peg assembly (D). Position the lever assembly to the desired angle on the mount, and slide the lever assembly with the spring washer into the footrest support bracket as shown.

NOTE

Splines on the lever and mount provide for a limited range of heel rest angle adjustment.

For Kit 50227-01. The heel rest lever (3) can be adjusted after the mount (1) is attached but before the set screw (2) is installed. Slide the lever inward off the spline, and rotate it to the desired angle.

For Kit 50236-01. The heel rest lever (3) angle cannot be adjusted after the mount (1) is attached without removing them from the footrest support bracket (A). Check to ensure the heel rest (D) is in a comfortable position before tightening the mounting hardware.

4. Install the original screw (B) and lock nut (C) to secure the heel rest assembly to the footpeg mount. Tighten to 33 ft-lbs (45.6 Nm).
5. Obtain a screw (6), spring washer (5) and nut (4) from the kit. Install the footpeg to the heel rest assembly and tighten to 33 ft-lbs (45.6 Nm).
6. Obtain a set screw (2) from the kit. Apply Loctite[®] 243 (7) to the threads, and install the set screw to the heel rest lever. Tighten to 16 **in-lbs** (1.8 Nm).
7. Perform Steps 1 through 6 for the right side.

USE

⚠ WARNING

Footrests must fold up and toward rear of motorcycle if struck. Failure to set footrests to fold up and back could result in death or serious injury. (00366a)

NOTE

On Heel Rest Kit 50227-01, designed for forward controls, it is possible to choose various positions (angles) for the heel rest lever following installation of the heel rest mount to the footpeg mount.



On Heel Rest Kit 50236-01, designed for mid controls, you must adjust the heel rest lever to the desired position (angle) prior to installing heel rest mount to footpeg mount.

SERVICE PARTS

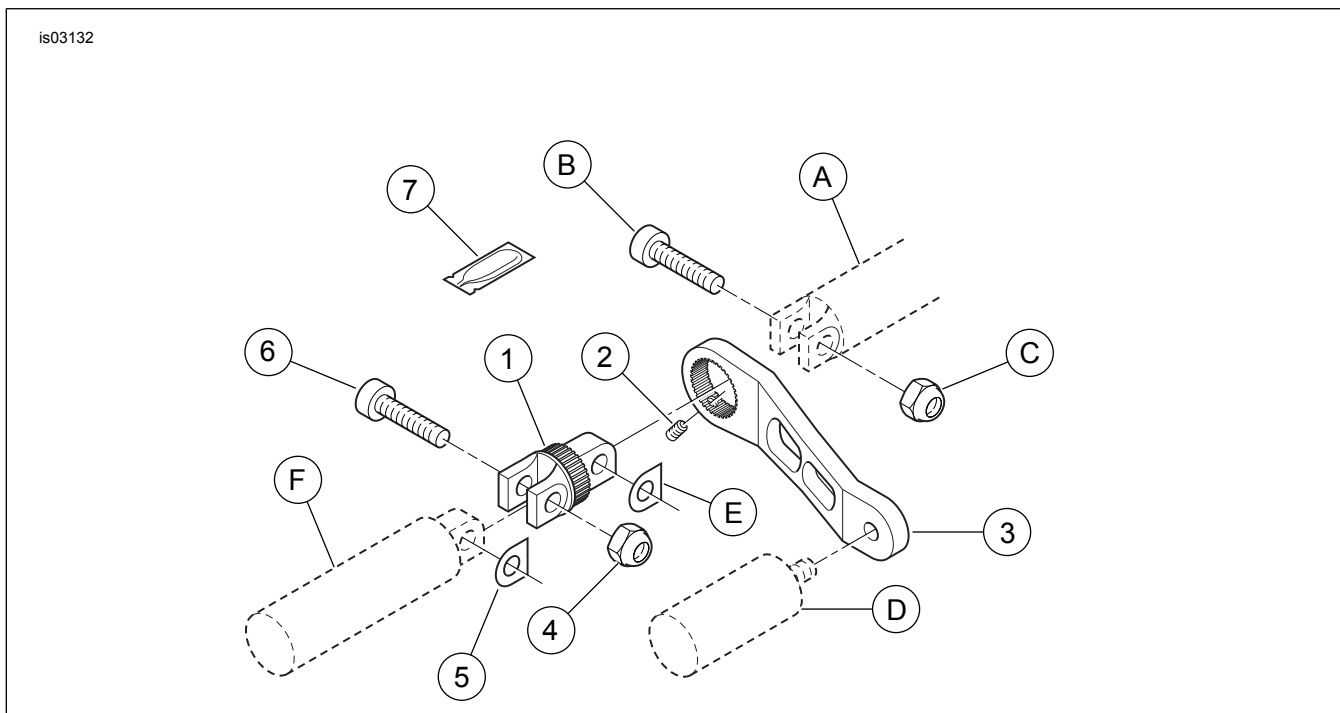


Figure 1. Service Parts: Heel Rest Kits

Table 1. Service Parts Table

Kit	Item	Description (Quantity)	Part Number
Kit 50227-01	1	Mount, heel rest (2)	Not Sold Separately
	2	Set screw, socket, #8-32, cup point (2)	3206B
	3	Lever, heel rest, left (shown)	50232-01
	4	Lever, heel rest, right	50228-01
	5	Spring washer, "D" (2)	50912-72
	6	Hex head cap screw, 3/8-16 x 1-1/2 inch (2)	4721
	7	Loctite 243 (Blue), 0.5 ml	Not Sold Separately
Kit 50236-01	1	Mount, heel rest (2)	Not Sold Separately
	2	Set screw, socket, #8-32, cup point (2)	3206B
	3	Lever, heel rest, left (shown)	50229-01
	4	Lever, heel rest, right	50231-01
	5	Spring washer, "D" (2)	50912-72
	6	Hex head cap screw, 3/8-16 x 1-1/2 inch (2)	4721
	7	Loctite 243 (Blue), 0.5 ml	Not Sold Separately
Items mentioned in text, but not included in kit:			
	A	Footrest support bracket	
	B	Screw	
	C	Lock nut	
	D	A heel rest or shifter peg used as a heel rest MUST be in place to complete this installation.	
	E	Spring washer, "D"	
	F	Footpeg, (stock or accessory)	