



INSTRUCTIONS

J00218

2009-04-14



PASSENGER BACKREST KIT

GENERAL

Kit Number

51667-98, 51711-06, 51984-08, 52087-98, 52176-87, 52188-95, 52198-95, 52495-88, 52545-84, 52582-95, 52612-95, 52614-95, 52626-04, 52649-96, 52650-96, 52652-04, 52656-04, 52668-96, 52677-97, 52875-98, 52878-98, 52882-98, 54091-10

Models

For model fitment information, see the P&A Retail Catalog or the Parts and Accessories section of www.harley-davidson.com (English only).

Additional Parts Required

For Kit 54091-10: The leather material of the pad has been pre-conditioned with a leather dressing. To maintain the appearance of the leather, apply Harley-Davidson Leather Dressing (98261-91V), available from a Harley-Davidson dealer.

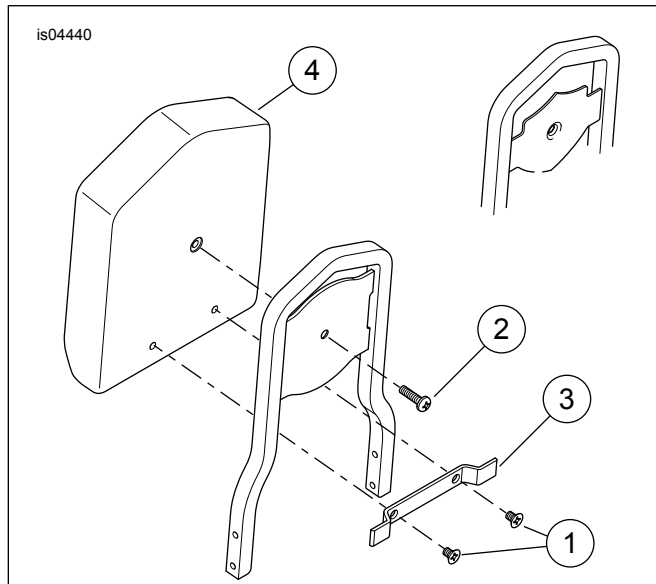


Figure 1. Service Parts: Passenger Backrest Kit

INSTALLATION

1. With your hand, feel through the backrest material to locate mounting holes.
2. Carefully cut holes in material at mounting locations. Cut only enough material away for screw to enter backrest.
3. See Figure 1 and Table 1. Secure backrest (4) to sissy bar using bracket (3) and screws (1).
4. Install screw (2) through center hole into backrest.
5. Tighten all screws securely. Do not overtighten.

Table 1. Service Parts Table

Kit	Item	Description (Quantity)	Part Number
52532-90 52876-98	1	Screw, 1/4-20 X 1 in. pan head (2)	2538
	2	Screw, 1/4-20 X 1 in. flat head	1617
	3	Bracket, backrest	52771-82
	4	Backrest	Not Sold Separately
52598-95	1	Screw, 1/4-20 X 1 in. pan head (2)	2538
	2	Screw, 1/4-20 X 1 in. flat head	1617
	3	Bracket, backrest	52771-82
52936-97 52938-97 53021-98	1	Screw, 1/4-20 X 3/4 in. pan head (2)	2151
	2	Screw, 1/4-20 X 3/4 in. flat head	1602
	3	Bracket, backrest	52771-82
51667-98 51711-06	1	Screw, 1/4-20 X 5/8 in. pan head (2)	1000
	2	Screw, 1/4-20 X 3/4 in. flat head	1602
51984-08 52087-98	3	Bracket, backrest	52771-82
	4	Backrest	Not Sold Separately
52176-87			
52188-95			
52198-95			
52495-88			
52545-84			
52582-95			
52612-95			
52614-95			
52626-04			
52649-96			
52650-96			
52652-04			
52656-04			
52668-96			
52677-97			
52875-98			
52878-98			
52882-98			
54091-10			

