



# INSTRUCTIONS

J00225

2013-11-01



## BACKREST KIT

### GENERAL

#### Kit Number

52412-79A

#### Models

For model fitment information, see the P&A retail catalog or the Parts and Accessories section of [www.harley-davidson.com](http://www.harley-davidson.com) (English only).

1. Feel through the backrest material to locate mounting holes.
2. Cut holes in seat material at backrest mounting positions.
3. See Figure 1. Secure backrest to sissy bar (5) using bracket (4) and screws (2).
4. Secure backrest to sissy bar using screw (3).
5. Tighten all screws securely.

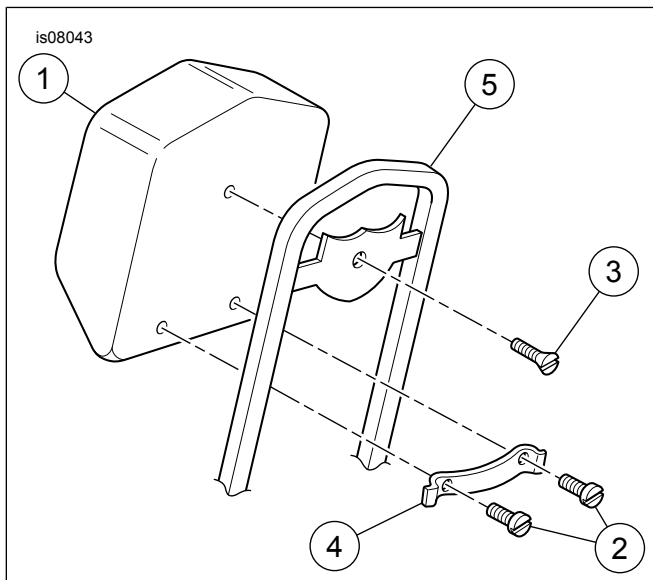


Figure 1. Backrest Assembly - Exploded View

Table 1. Service Parts

Item	Description	Quantity
1	Backrest	1
2	Screw, 1/4 - 20 x 5/8 in.	2
3	Screw, 1/4 - 20 x 5/8 in.	1
4	Bracket	1
5	Sissy bar	1