



# INSTRUCTIONS

J03493

2007-08-03



## PASSENGER FOOTBOARD SUPPORT KIT

### GENERAL

#### Kit Numbers

49279-06, 49349-07

#### Models

This kit is needed to complete the installation of a Passenger Footboard Kit on specific model motorcycles. Please see the P&A Retail Catalog or the Parts and Accessories section of [www.harley-davidson.com](http://www.harley-davidson.com) (English only) for model fitment information and the correct Passenger Footboard Kit part number.

See the Passenger Footboard Kit instruction sheet for information on attaching the footboards to the footboard supports.

#### NOTE

See the P&A Retail Catalog or the Parts and Accessories section of [www.harley-davidson.com](http://www.harley-davidson.com) (English only) for a collection of matching Genuine Motor Accessory items that are available to match the Passenger Footboards being installed. These can be easily installed at the same time as this kit.

#### Kit Contents

See Figure 2 and Table 1.

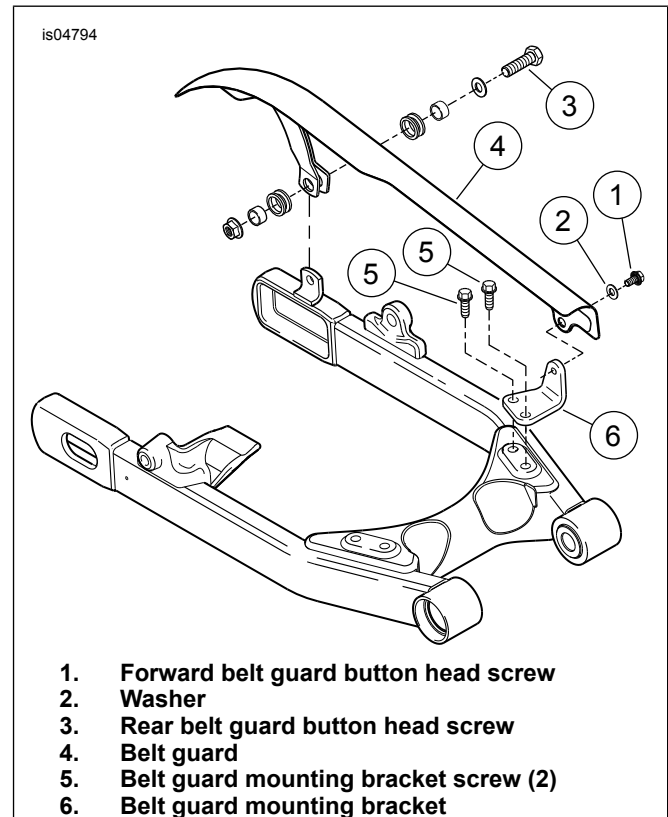


Figure 1. Belt Guard Attachment Components

### INSTALLATION

#### Preparation

1. See Figure 1. On the left side of the frame, **remove and retain** the belt guard hex socket button head screw (1) and flat washer (2).
2. **Loosen** the rear belt guard hex socket button head screw (3). Rotate the belt guard (4) up and away from the front position.
3. Using a T-45 TORX<sup>®</sup> driver, remove and **discard** the belt guard mounting bracket screws (5) and belt guard mounting bracket (6).
4. **If the motorcycle IS equipped with passenger footpegs**, remove both left-side and right-side passenger footpegs. **If the motorcycle IS NOT equipped with passenger footpegs**, remove the plastic inserts from the right-side mounting holes.

#### Installation

#### NOTE

This kit includes pivot pins, springs and Delrin<sup>®</sup> balls for installation of passenger footboards to the footboard supports. Some footboard kits may include these items. Retain the pivot

pins, springs and Delrin balls provided in **this** kit for possible use in the installation of the footboards.

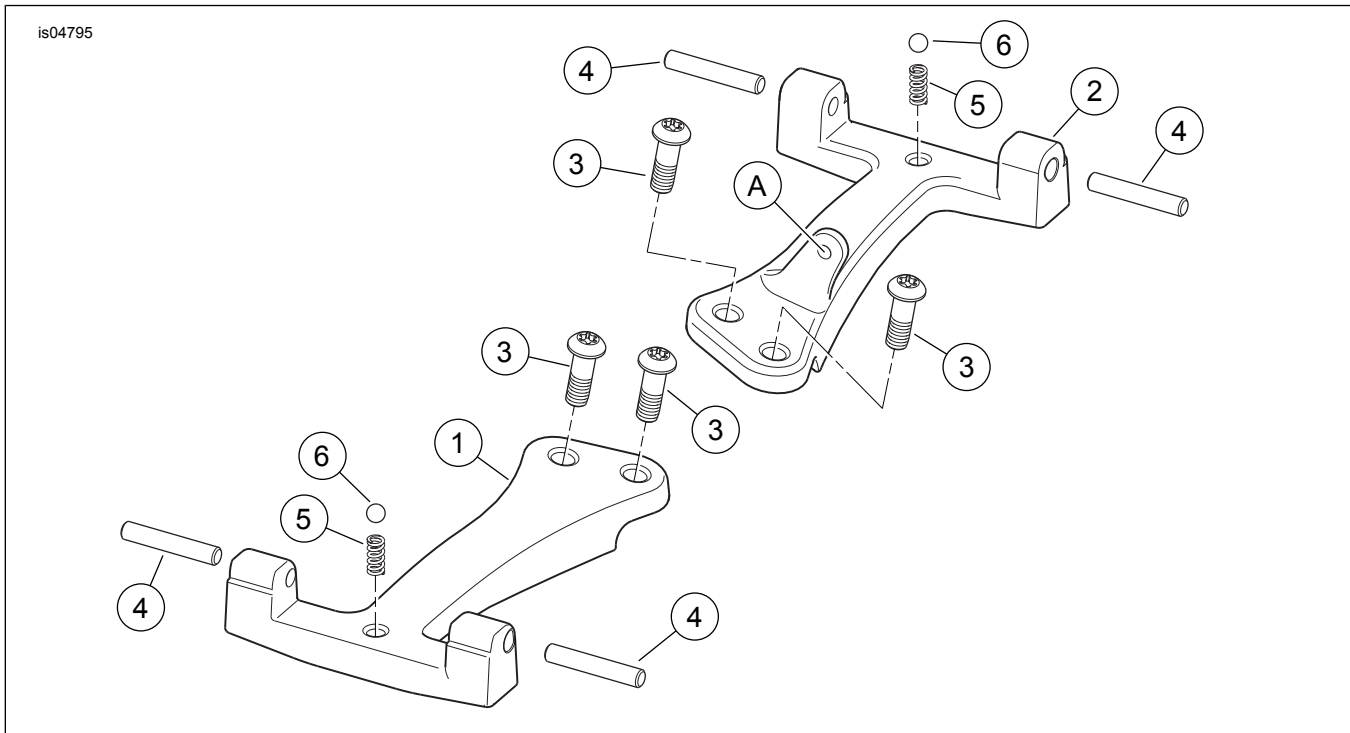
1. See Figure 2. On the right side of the motorcycle, install the right-side passenger footboard support (1) using two thread-cutting screws (3) from the kit. Using a T-45 TORX® driver, tighten the screws to 34–47.7 N·m (25–35 ft-lbs).
2. On the left side of motorcycle, install the left-side passenger footboard support (2) using the remaining two thread-cutting screws from the kit. Tighten the screws to 34–47.7 N·m (25–35 ft-lbs).

3. See Figure 1. Obtain the screw (1) and washer (2) saved in preparation step 1. Rotate the belt guard (4) into position. Insert the screw threads into the tapped hole ( Figure 2, A) on the left side passenger footboard support. Tighten the screw to 13.6–20.3 N·m (10–15 ft-lbs).
4. Tighten the rear belt guard hex socket button head screw (3) to 13.6–20.3 N·m (10–15 ft-lbs). Verify that the belt guard does not contact the belt during rear fork travel.

**NOTE**

Refer to the Passenger Footboard Kit instruction sheet for information on attaching the footboards to the footboard supports.

**SERVICE PARTS**



**Figure 2. Service Parts, Passenger Footboard Support Kit**

**Table 1. Service Parts Table**

Kit	Item	Description (Quantity)	Part Number
Kit 49279-06 Chrome	1	Support, passenger footboard (right side, chrome)	49280-06
	2	Support, passenger footboard (left side, chrome)	49281-06
Kit 49349-07 Black	1	Support, passenger footboard (right side, black)	49350-07
	2	Support, passenger footboard (left side, black)	49351-07
Items common to ALL kits	3	Button head screw, TORX, thread cutting, with lock patch (4)	4533
	4	Pivot pin (4)	50933-86A
	5	Spring (2)	33085-74
	6	Ball, Delrin® (2)	8861
<b>Item mentioned in text:</b>			
	A	Tapped belt guard mounting hole in left-side support	