



INSTRUCTIONS

J03194

2005-01-19



KEYED-TO-MATCH IGNITION SWITCH AND FORK LOCK KIT

GENERAL

Kit Number

71450-04

Models

These kits fit 1993 and later FXDWG (Dyna Wide Glide®), 1994-1/2 and later FLHR (Road King®), all 1996 and later Softail®; models, 2002 and later FXDP (Dyna Police) model motorcycles.

▲ WARNING

Rider and passenger safety depend upon the correct installation of this kit. Use the appropriate service manual procedures. If the procedure is not within your capabilities or you do not have the correct tools, have a Harley-Davidson dealer perform the installation. Improper installation of this kit could result in death or serious injury. (00333b)

NOTE

This instruction sheet references Service Manual information. A Service Manual for your model motorcycle is required for this installation and is available from a Harley-Davidson Dealer.

Kit Contents

See the Service Parts Illustration for kit contents.

INSTALLATION

▲ WARNING

To prevent accidental vehicle start-up, which could cause death or serious injury, disconnect battery cables (negative (-) cable first) before proceeding. (00307a)

▲ WARNING

Disconnect negative (-) battery cable first. If positive (+) cable should contact ground with negative (-) cable connected, the resulting sparks can cause a battery explosion, which could result in death or serious injury. (00049a)

1. Refer to the Service Manual and follow the instructions given to remove the seat and disconnect the battery cables, negative cable first. Retain all seat mounting hardware.
2. Remove the fasteners attaching the console to the fuel tank according to Service Manual instructions.

NOTE

Cover the fuel tank with clean shop towels to prevent scratching. Damage to the finish could result.

3. Place a clean cloth on the fuel tank to protect the painted finish. Turn the console onto its side, on the cloth on the fuel tank, to access the components under the console.
4. Unplug the connector from the stock ignition switch.
5. Remove the four screws fastening the stock ignition switch to the console.
6. Fasten the new ignition switch to the console using the same screws. Tighten the screws securely.
7. **2003 and later models:** Proceed to step 8. **2002 and earlier models:**
 - a. See Service Parts illustration. Note the color wire located in each cavity (A, B, or C) of the stock ignition-switch connector.
 - b. Remove the wires and terminals from the stock ignition-switch connector. Refer to PUSH-TO-SEAT TERMINALS in the PACKARD ELECTRICAL CONNECTORS section of the Service Manual.
 - c. Follow the Service Manual instructions to insert the wires and terminals into the new connector, in the same cavity (A, B, or C) as each was removed.
8. **ALL Models:** See Service Parts illustration. Fasten the ignition-switch connector (2) to the new ignition switch (1). Note that the connector is keyed (B) to assemble to the switch in only one way.
9. Install the console per the Service Manual instructions.
10. See FORK LOCK in the Service Manual for instructions to remove the original fork lock and install the new fork lock from this kit.

▲ WARNING

Connect positive (+) battery cable first. If positive (+) cable should contact ground with negative (-) cable connected, the resulting sparks can cause a battery explosion, which could result in death or serious injury. (00068a)

11. Refer to the Service Manual and follow the instructions given to re-attach the battery cables (positive cable first), and install the seat.



▲ WARNING

After installing seat, pull upward on seat to be sure it is locked in position. While riding, a loose seat can shift causing loss of control, which could result in death or serious injury. (00070b)

12. Test the switch for proper operation.

SERVICE PARTS

See Figure 1 and Table 1.

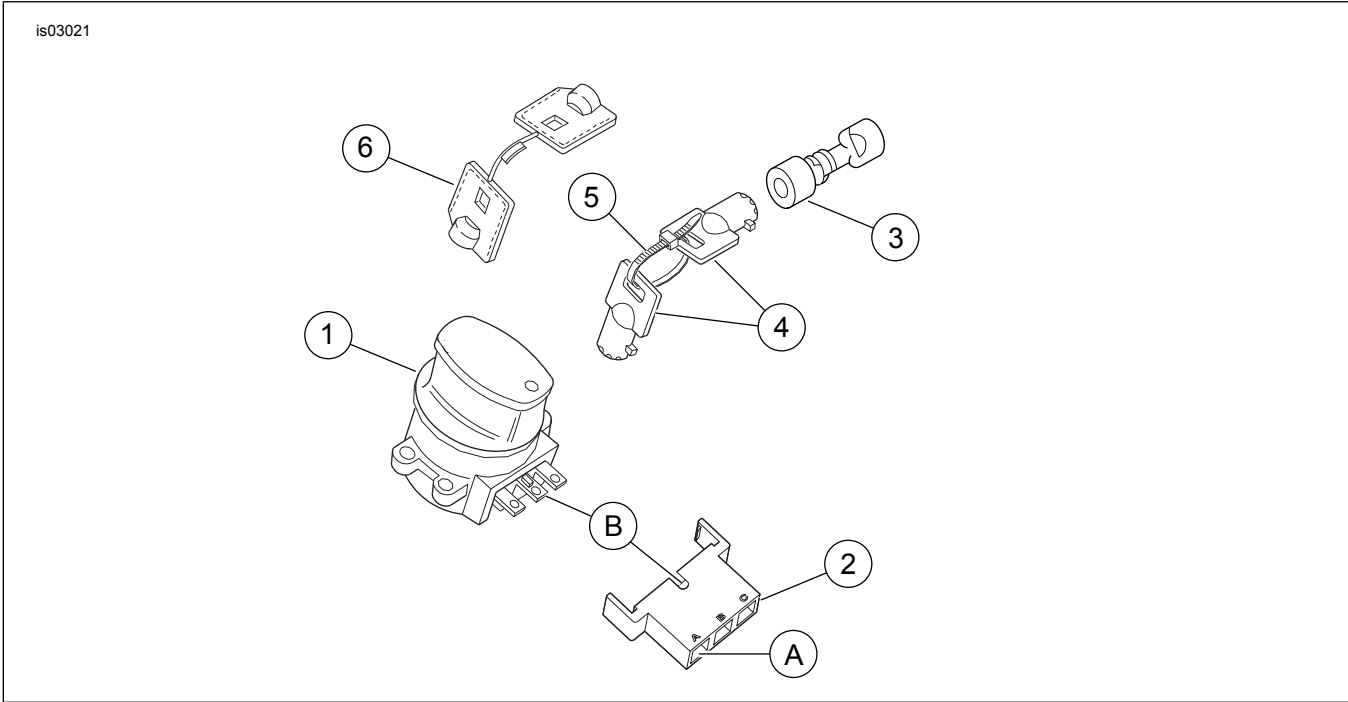


Figure 1. Service Parts: Ignition Switch and Fork Lock Components

Table 1. Service Parts Table

Item	Description (Quantity)	Part Number
1	Ignition switch	71504-03
2	Connector, 3-way, Packard	72327-03
3	Fork lock	45680-90
4	Key (set of two)	71452-91A
5	Cable strap	10065
6	Key head covers (2)	61081-92
Items mentioned in text:		
A	Connector cavity "A"	
B	Connector keyed to assemble one way	