



# INSTRUCTIONS

J01617

2009-06-30



## RIGHT SIDE TOOLBOX KIT

### GENERAL

#### Kit Number

64937-00A

#### Models

For model fitment information, see the P&A Retail Catalog or the Parts and Accessories section of [www.harley-davidson.com](http://www.harley-davidson.com) (English only).

#### Additional Parts Required

For FXST, FXSTB, FXSTS and FLSTS models with passenger footpegs, separate purchase of a Footpeg Extension Kit (49352-00) is required for proper installation of this kit. The Footpeg Extension Kit is not required if this Toolbox Kit is installed on models with Passenger Footboard Kits (50955-00 or 50602-00).

For FLSTC and FLSTS models equipped with factory installed leather saddlebags and on other Softail models equipped with Heritage Style Saddlebag Kits, separate purchase of a Bracket Relocation Kit (90238-00) is required for proper installation of this kit.

For FLSTC models, separate purchase of a Footpeg Extension Kit (49352-00) and a Saddlebag Relocation Kit (90238-00) is required for proper installation of this kit.

#### NOTE

*Lock mechanism accepts all Harley-Davidson barrel-style ignition keys.*

#### Kit Contents

See Figure 1 and Table 1.

### INSTALLATION

#### NOTE

*Be careful not to scratch toolbox surface while performing this installation.*

1. See Figure 1. Attach the toolbox (5) to the toolbox mounting bracket (1) using three pan head screws (2) and nuts (3).
2. Remove the two button head screws (J) which secure right rear fender support (B) to the frame (D). Save screws for assembly.
3. **For FLSTN models with passenger footpegs:For all other models with passenger footpegs:For models with passenger footboards:**
  - a. Remove retaining ring (N), clevis pin (O), spring washer (I) and footrest (F).

- b. Remove the socket head screw (C) that secures the footrest support (G) to the frame (D).
- c. Remove two socket head screws (K) from the exhaust support (L).
- d. Remove the locknut (H), screw (M), spring washer (I) and footrest (F).
- e. Remove screw (A or C) that secures the footrest support (G) to the frame (D).
- f. Remove the two bolts, nuts and washers which secure the bottom of the splash guard to the swingarm. This will allow the splash guard to be moved when installing the new passenger footrest bolt.
- g. Save all removed components for installation.
- h. Remove the screw that secures the passenger footboard assembly to the frame. Remove the footboard assembly.
- i. Save all removed components for installation.

4. Slide top of toolbox bracket (1) between rear fender support (B) and frame (D). Align top holes in bracket with fender support holes. Align lower bracket hole with footrest mounting hole in frame. Install the two screws (J), which were removed in Step 2, in fender support (B). Do not tighten screws at this time.

#### ▲ WARNING

**Footrests must fold up and toward rear of motorcycle if struck. Failure to set footrests to fold up and back could result in death or serious injury. (00366a)**

5. **For FLSTN models with passenger footpegs:For all other models with passenger footpegs:For models with passenger footboards:**
  - a. Install two washers (4) between the frame and exhaust support and loosely install the two socket head screws (K).
  - b. Install the footrest support on top of the toolbox bracket with the socket head screw (C).
  - c. Tighten screws (C and K) to 47.8–61 N·m (35–45 ft-lbs).
  - d. Install footpeg (F) and spring washer (I) using the clevis pin (O) and retaining ring (N).



- e. **For all other models:** Refer to instructions in Footpeg Extension Kit (49352-00) for installation, and install the extension kit, footrest support and footpeg on top of the toolbox bracket (1).
- f. Install the two bolts, nuts and washers from Step 3 and secure the bottom of the splash guard to the swingarm.
- g. Position footboard assembly, in the same orientation as removed, on top of toolbox bracket.

- h. Install screw removed in Step 3 and tighten to 47.5–61 N·m (35–45 ft-lbs).

**NOTE**

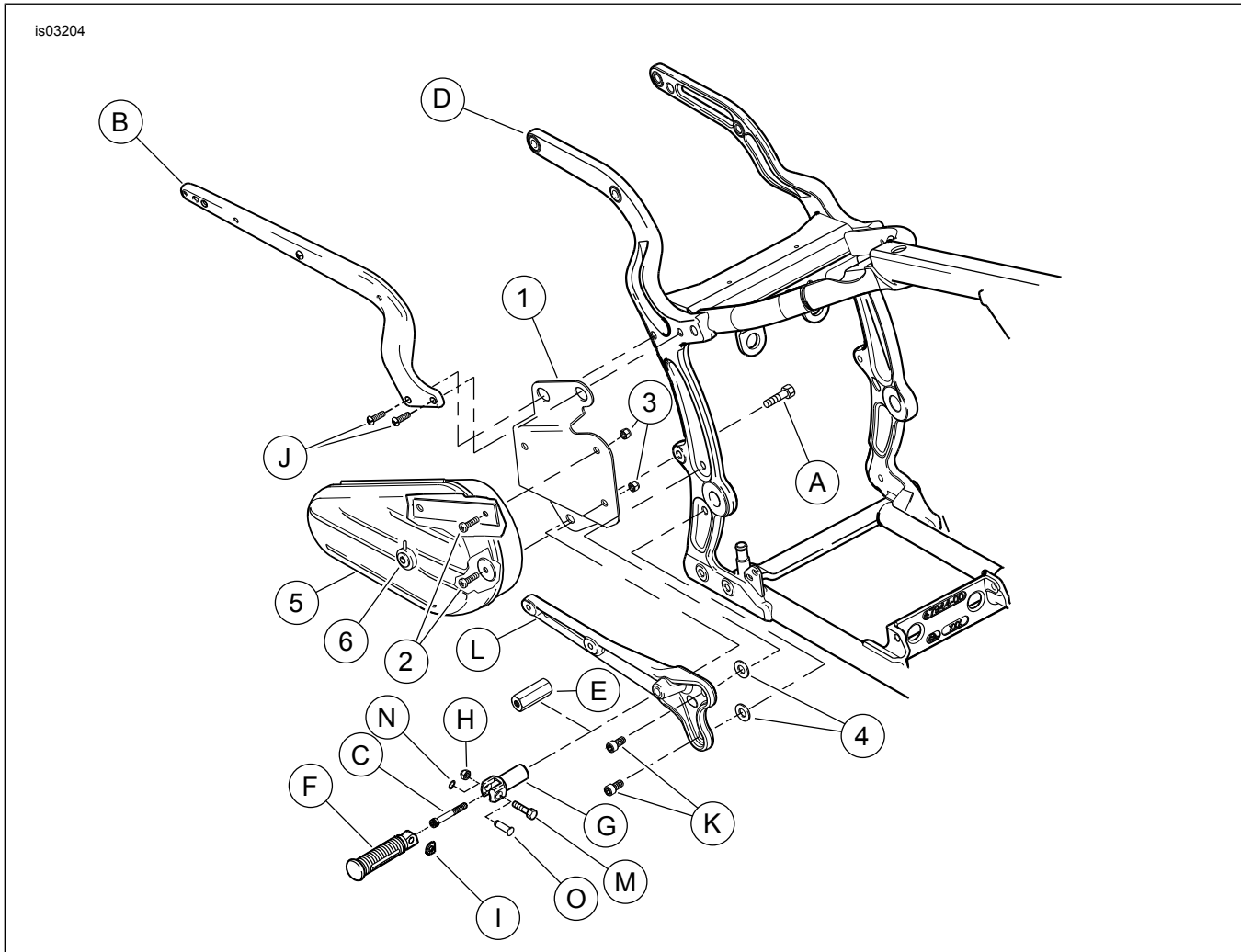
*If the vehicle is equipped with original equipment Heritage Style saddlebags, install Bracket Relocation Kit (90238-00).*

- 6. Tighten the fender support button head screws, from Step 2 to 28.5–36.6 N·m (21–27 ft-lbs).

**NOTE**

*Maximum toolbox weight capacity is 5 lbs (2.25 Kg).*

**SERVICE PARTS**



**Figure 1. Service Parts: Right Side Toolbox Kit**

**Table 1. Service Parts Table**

Item	Description (Quantity)	Part Number
1	Bracket, toolbox mounting	Not Sold Separately
2	Screw, pan head (3)	2774
3	Nut, hex (3)	7686
4	Washer (2)	6416
5	Toolbox	Not Sold Separately
6	Lock	45797-99
7	Key (2), (not shown)	64204-96
<b>Items mentioned in text, but not included in kit:</b>		
A	Screw	
B	Fender support	

Table 1. Service Parts Table

Item	Description (Quantity)	Part Number
C	Screw, socket head	
D	Frame	
E	Extension, footrest (from kit 49353-00)	
F	Footrest	
G	Footrest support	
H	Locknut	
I	Spring washer	
J	Screw (2)	
K	Screw (2)	
L	Exhaust support (FLSTN only)	
M	Screw	
N	Retaining ring (FLSTN)	
O	Clevis pin (FLSTN)	