



INSTRUCTIONS

J03195

2007-05-15



HOG FOOTPEG KIT

GENERAL

Kit Number

50364-04

Models

This footpeg kit fits all Harley-Davidson "male mount" style footpeg supports.

Kit Contents

See Figure 3 and Table 1.

INSTALLATION

1. Remove the locknuts and screws that hold the existing footpegs in place. Save all hardware for installation of the new footpegs.
2. Remove the existing footpegs along with the spring washers. Save the spring washers for later installation.

NOTE

See Figure 3. When performing Step 3, make sure the spring washer is positioned inside of the footpeg support with the square edge towards the inside of the support as shown in Figure 2.

3. Install the new footpegs in the same manner as the old footpegs were installed. Place a spring washer, along with the mount end of the footpeg, inside the slots of the footpeg supports.

NOTE

Secure each footpeg and spring washer with the screw and locknut removed earlier. Tighten the locknuts to 26 N·m (19 ft-lbs).

NOTE

Kit 50915-90T is shown, 50916-90T is similar.

⚠ WARNING

Footrests must fold up and toward rear of motorcycle if struck. Failure to set footrests to fold up and back could result in death or serious injury. (00366a)

4. See Figure 1. For each footpeg, loosen the adjusting screw in the recessed hole until the footpeg rotates. Position the footpeg as desired, then tighten the adjusting screw to 29 N·m (21 ft-lbs)

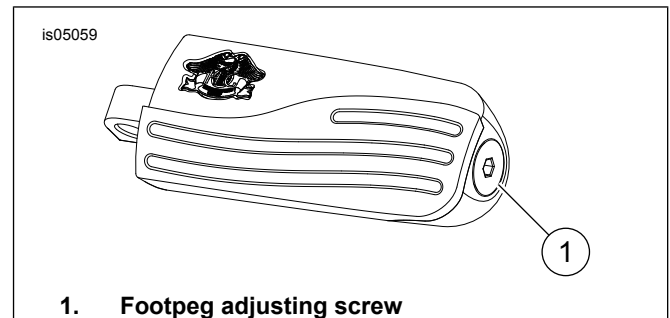


Figure 1. Footpeg Adjusting Screw

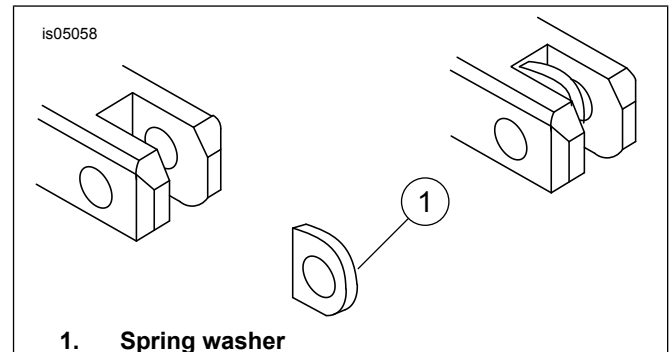


Figure 2. Footpeg Spring Washer Installation

Service Parts

is05060

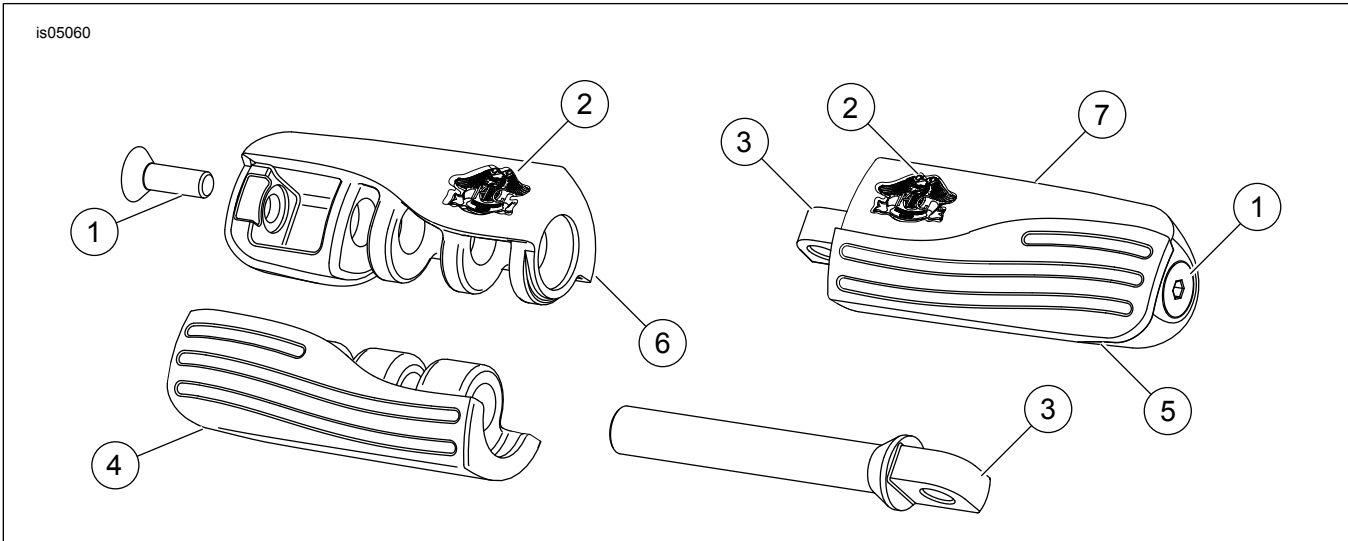


Figure 3. Service Parts: HOG Footpeg Kit

Table 1. Service Parts Table

Item	Description (Quantity)	Part Number
1	Screw, flat head, 5/16-18 x 1 in. (2)	4682
2	HOG® emblem (2)	95744-04
3	Mount, footpeg support (2)	50351-03
4	Left tread, HOG® footpeg	50386-04
5	Right tread, HOG® footpeg	50388-04
6	Left cover, HOG® footpeg	Not Sold Separately
7	Right cover, HOG® footpeg	Not Sold Separately