



INSTRUCTIONS

J01618

2009-06-30



LEFT SIDE TOOLBOX KIT

GENERAL

Kit Number

64938-00

Models

For model fitment information, see the P&A Retail Catalog or the Parts and Accessories section of www.harley-davidson.com (English only).

Additional Parts Required

For FLSTF, FXST, FXSTB and FXSTS models with passenger footpegs, separate purchase of a Footpeg Extension Kit (49352-00) is required for proper installation of this kit. The Footpeg Extension Kit is not required if this Toolbox Kit is installed with Passenger Footboard Kits (50955-00 or 50602-00).

Kit Contents

See Figure 1 and Table 1.

INSTALLATION

NOTE

While handling and installing toolbox, be careful not to scratch surface.

- See Figure 1. Attach the toolbox (4) to the toolbox mounting bracket (1) using the three pan head screws (2) and nuts (3).
- Remove the two button head screws (I) which secure left rear fender support (B) to motorcycle frame (C). Save screws for assembly.
- On models with passenger footpegs:**
 - For FLSTN models:** Remove button head screw (N) and left footrest bracket (O) with attached footrest support (F) and footrest (E).
 - For all other models:** Remove the locknut (G), hex head bolt (J), spring washer (H) and footpeg (E). Remove the socket head cap screw (K) that secures the footrest support (F) to the frame (C).
 - Remove the two bolts, nuts and washers which secure the bottom of the splash guard to the swingarm. This will allow the splash guard to move when installing the new passenger footrest bolt.
 - Save all removed components for installation.

4. On models with passenger footboards:

- Remove the screw securing the passenger footboard assembly to the frame. Remove the footboard assembly.
 - Save all removed components for installation.
- Slide the top of mounting bracket (1) between rear fender support (B) and frame (C). Align top holes in bracket with fender support holes. Align lower bracket hole with footrest mounting hole in frame. Install the two screws (I), removed in Step 2, in fender support. Do not tighten screws at this time.

▲ WARNING

Footrests must fold up and toward rear of motorcycle if struck. Failure to set footrests to fold up and back could result in death or serious injury. (00366a)

6. On models with passenger footpegs:

- For FLSTN models:** Install button head screw (N) and left footrest bracket (O) with attached footrest support (F) and footrest (E) on top of the toolbox bracket (1). Tighten screw to 47.5–61 N·m (35–45 ft·lbs).
- For all other models:** Refer to instructions in Footpeg Extension Kit (49352-00) for installation, and install the extension kit, footrest support and footpeg on top of the toolbox bracket (1).
- Install the two bolts, nuts and washers and secure the bottom of the splash guard to the swingarm.

7. On models with passenger footboards:

- Position footboard assembly, in the same orientation as removed, on top of toolbox bracket.
- Install screw removed in Step 4. Tighten to 47.5–61 N·m (35–45 ft·lbs).

NOTE

If the vehicle is equipped with original equipment Heritage Style saddlebags, install Bracket Relocation Kit (90238-00).

- Tighten the fender support button head screws, from Step 2 to 28.5–36.6 N·m (21–27 ft·lbs).
- Discard remaining original and kit mounting hardware.



SERVICE PARTS

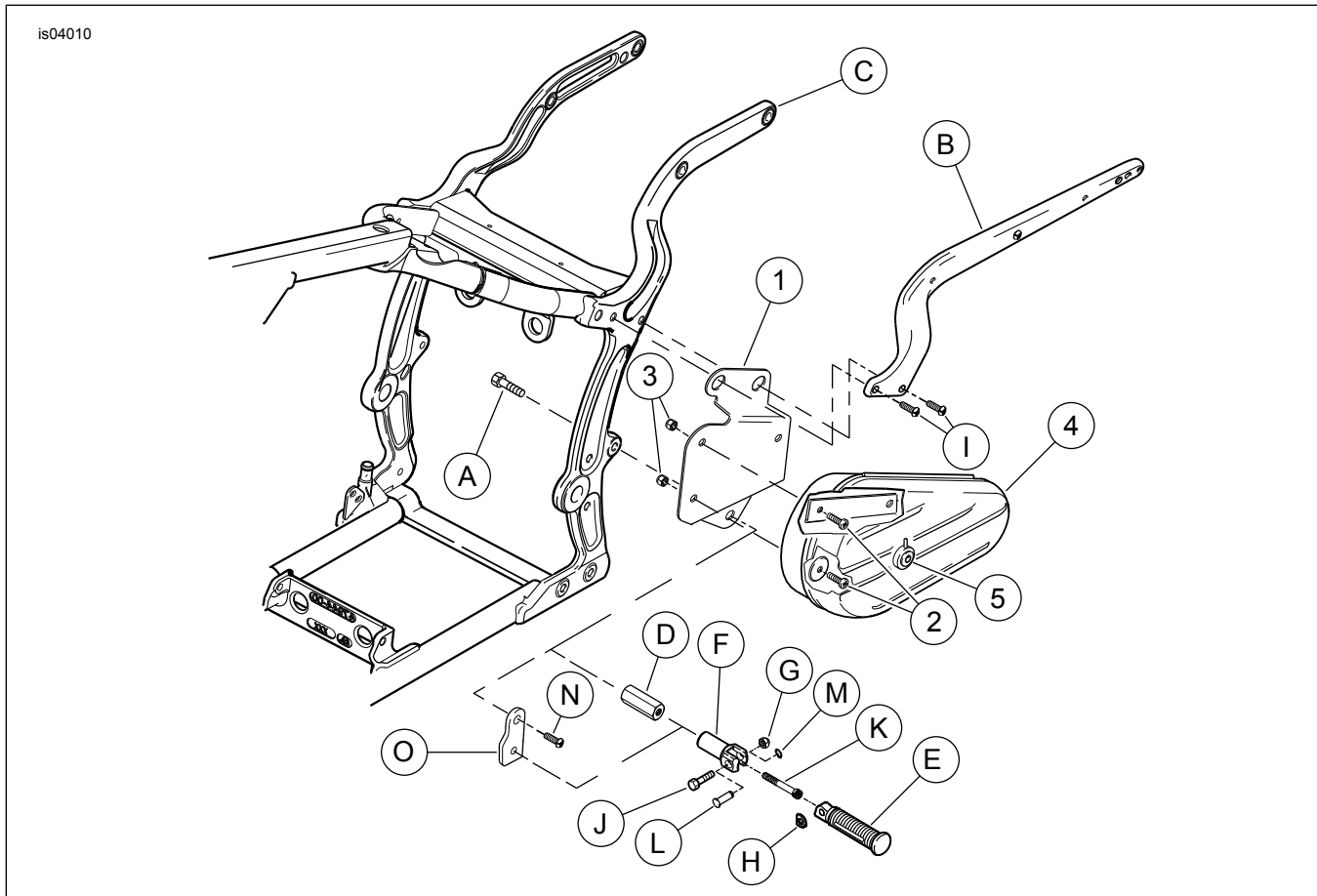


Figure 1. Service Parts: Left Side Toolbox Kit

Table 1. Service Parts Table

Item	Description (Quantity)	Part Number
1	Bracket, toolbox mounting	Not Sold Separately
2	Screw, pan head (3)	2774
3	Nut, hex (3)	7686
4	Toolbox	Not Sold Separately
5	Lock, toolbox	45797-99
6	Key (2), (not Shown)	64204-96
Items mentioned in text, but not included in kit:		
A	Screw	
B	Fender support	
C	Frame	
D	Extension, footrest (from kit 49352-00)	
E	Footrest	
F	Footrest support	
G	Locknut	
H	Spring washer	
I	Screw (2)	
J	Screw	
K	Screw	
L	Clevis pin (FLSTN)	
M	Retaining ring (FLSTN)	
N	Bracket screw (FLSTN)	
O	Footrest bracket (FLSTN)	