



# INSTRUCTIONS

J03205

2011-10-28



## BILLET THROTTLE CABLE KIT

### GENERAL

#### Kit Number

91274-04, 10800033

#### Models

For models fitment information, see the P&A Retail Catalog or the Parts and Accessories section of [www.harley-davidson.com](http://www.harley-davidson.com)

#### Additional Parts

**NOTE**

Proper installation of this kit requires the use of **LOCTITE® Threadlocker 243 (blue)** (Harley-Davidson Part Number 99642-97).

#### Kit Contents

See Figure 1 and Table 1.

### INSTALLATION

**NOTE**

To prevent damage to and malfunction of the throttle cable, do not pinch. Avoid sharp bends in the cable when mounting the cable in the cable clip.

1. If present, remove and discard the plastic clip from around the throttle and idle cables.

2. Locate the throttle cable clip to avoid damage to finished surfaces.
3. See Figure 1. Capture the cables in the half-rounds between the top (1) and bottom (2) clamp.
4. Place a drop of **LOCTITE 243 (blue)** on the button head screw (3) threads and secure the top clamp to the bottom clamp.
5. Tighten the button head screw.

### SERVICE PARTS

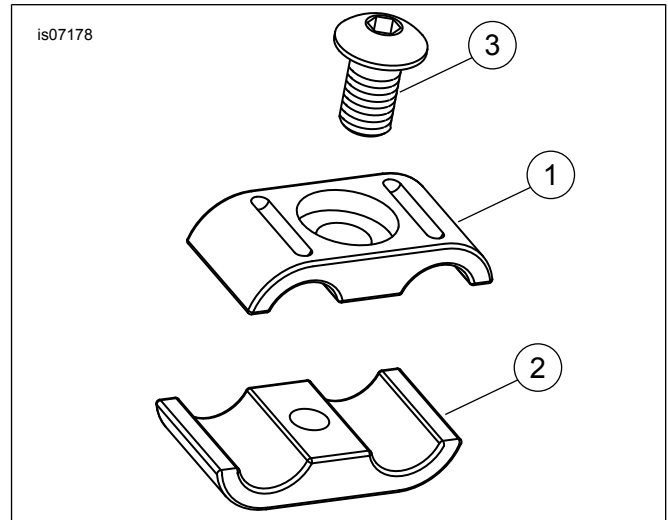


Figure 1. Service Parts: Billet Throttle Cable Kit

Table 1. Service Parts Table

Item	Description (Quantity)	Part Number
1	Top cable clamp	Not sold separately
2	Bottom cable clamp	Not sold separately
3	Button head screw	Not sold separately

