



INSTRUCTIONS

J03517

2013-11-01



CHROME REAR MASTER CYLINDER COVER KIT

GENERAL

Kit Number

46425-05A

Models

For model fitment information, see the P&A retail catalog or the Parts and Accessories section of www.harley-davidson.com (English only).

Kit Contents

See Figure 1 and Table 1.

INSTALLATION

NOTICE

Do not allow dirt or debris to enter the master cylinder reservoir. Dirt or debris in the reservoir can cause improper operation and equipment damage. (00205c)

NOTICE

DOT 4 brake fluid will damage painted and body panel surfaces it comes in contact with. Always use caution and protect surfaces from spills whenever brake work is performed. Failure to comply can result in cosmetic damage. (00239c)

1. Clean rear master cylinder cover, then remove two screws that hold cover in place.
2. Remove original cover (with sight glass) and gasket.
3. Put new cover and gasket in position.
4. Install cover screws and tighten screws (1) to 0.7–0.9 N·m (6–8 in-lbs).

⚠ WARNING

Contact with DOT 4 brake fluid can have serious health effects. Failure to wear proper skin and eye protection could result in death or serious injury.

- **If inhaled:** Keep calm, remove to fresh air, seek medical attention.
- **If on skin:** Remove contaminated clothing. Rinse skin immediately with plenty of water for 15-20 minutes. If irritation develops, seek medical attention.
- **If in eyes:** Wash affected eyes for at least 15 minutes under running water with eye lids held open. If irritation develops, seek medical attention.
- **If swallowed:** Rinse mouth and then drink plenty of water. Do not induce vomiting. Contact Poison Control. Immediate medical attention required.
- See Safety Data Sheet (SDS) for more details available at sds.harley-davidson.com

(00240e)

NOTE

The cover is labeled for D.O.T. 4 BRAKE FLUID. Install this cover on reservoirs filled only with D.O.T. 4 BRAKE FLUID. Do not mix grades of brake fluid, as they are not compatible and could cause equipment damage.

SERVICE PARTS

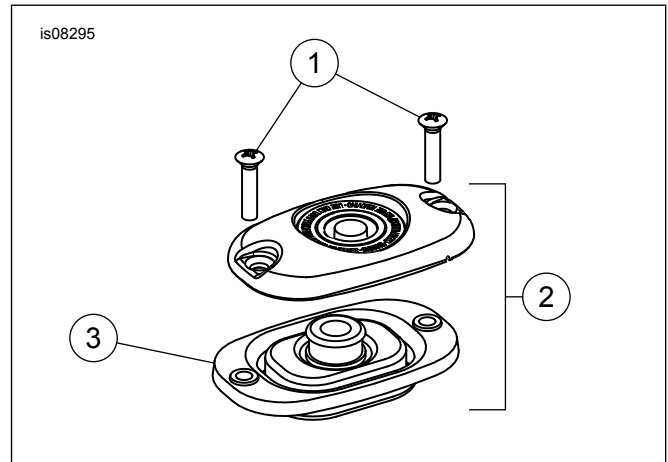


Figure 1. Chrome Rear Master Cylinder Cover Kit

Table 1. Service Parts

Item	Description (Quantity)	Part Number
1	Screws (2)	2573
2	Cover, reservoir assembly	Not sold separately



Table 1. Service Parts

Item	Description (Quantity)	Part Number
3	Gasket	42568-05

Note: Item 2, Chrome Rear Master Cylinder Cover Assembly includes the reservoir cover, gasket and sight glass. The gasket, part number 42568-05 can be purchased separately from any Harley-Davidson dealer.

NOTE

Item 2, Chrome Rear Master Cylinder Cover Assembly includes the reservoir cover, gasket and sight glass. The gasket, Part Number 42568-05, can be purchased separately from any Harley-Davidson dealer.