



# INSTRUCTIONS

J02616

2011-01-19



## SIDEPLATE KIT

### GENERAL

#### Kit Number

52783-96B, 52418-99B

#### Models

For model fitment information, see the P&A retail catalog or the Parts and Accessories section of [www.harley-davidson.com](http://www.harley-davidson.com) (English only).

#### Tools and Supplies Required

Loctite® 243 Threadlocker and Sealant - Blue (Part No. 99642-97) is required for proper installation of this kit.

#### Kit Contents

This kit (52783-96B, chrome; 52418-99B, wrinkle black) consists only of a right and left sideplate and these instructions. There are no service parts available for this kit.

### INSTALLATION

#### NOTE

- Perform the following procedures one side at a time to maintain fender alignment.
- When performing these procedures, be careful not to scratch nearby painted surfaces.

1. See Figure 1. Remove the screw (1) and washer (2) securing the fender (4) and fender support cover (10) to the frame forging (3).
2. Remove the 5/16 inch bolt (5) and star washer (6) securing the rear directional light (7) from the inside of the fender. The rear directional light and fender support cover (10) will remain loosely attached to the motorcycle by the rear directional wire (8).
3. Slide the sideplate (9) into place between the frame forging (3) and fender (4). Line up the holes in the sideplate (9) with the holes in the frame forging (3) and fender support cover (10).
4. Apply a few drops of Loctite 243 - Blue to the fender strut screw (1). While holding the sideplate (9) in position, install the screw (1) and washer (2). Tighten finger tight to hold the sideplate in position.
5. Apply a few drops of Loctite 243 - Blue to the rear directional light bolt (5). With the larger rear slot in the sideplate (9) lined up with the bolt hole and the smaller slot lined up with the rear directional wire (8), install the bolt (5) and star washer (6) finger tight.

6. Tighten the screw (1) securing the fender strut to the fender to 16.3–24.4 N·m (12–18 ft-lbs). Tighten the rear directional light bolt (5) to 16.3–21.7 N·m (12–16 ft-lbs).
7. Repeat Steps 1-6 for the opposite side of the vehicle.

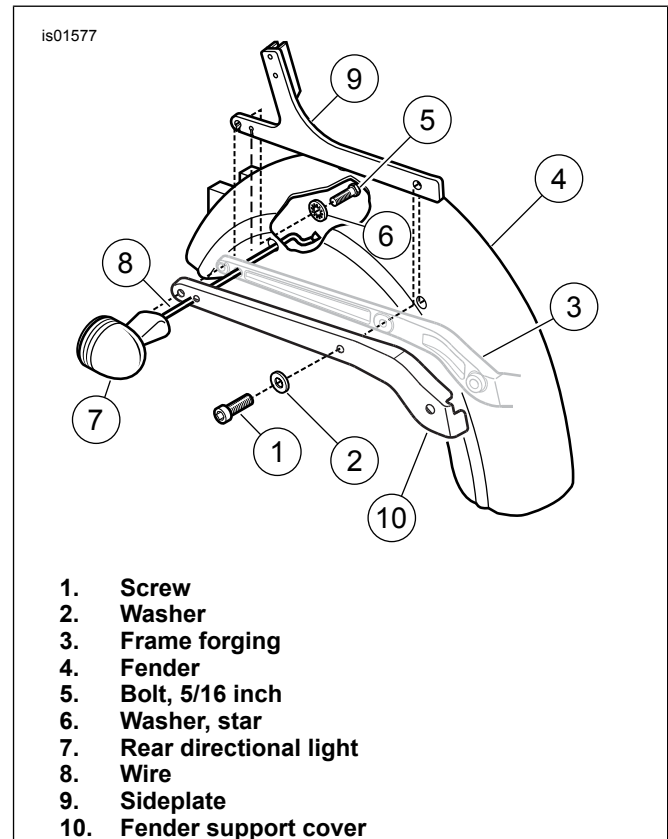


Figure 1. Right Sideplate Installation

