



INSTRUCTIONS

J03779

2005-09-20



SOFTAIL PASSENGER FOOTBOARD SUPPORT KITS

GENERAL

Kit Number

50459-06 (Black) and 50460-06 (Chrome)

Models

These kits fit 2000 and later FXST, FXSTB, FXSTC, FXSTS, and FLSTC models.

Additional Parts Required

Installation of these kits on 2000 and later FLSTC models equipped with factory-installed leather saddlebags require the Bracket Relocation Kit (90238-00) be installed first. The Bracket Relocation Kit must be purchased separately from a Harley-Davidson Dealer.

These kits also require the separate purchase of the Passenger Footboard Kit, which is available from a Harley-Davidson Dealer.

Kit Contents

See Figure 1 and Table 1.

INSTALLATION

Remove Existing Equipment

1. Remove existing footpeg and attaching hardware.

SERVICE PARTS

2. Remove chrome swingarm pivot covers, if so equipped.
3. Do not remove tool box, if so equipped.

Install Passenger Footboard Support Kit

1. See Figure 1. Install footboard mounts (1) and (2) as follows:
 - a. Position footboard mount and insert screw (3) through part and into footpeg mounting hole.
 - b. Position semi-circular cutout in mount extending from side of mount around nut of swingarm pivot bolt.
 - c. Tighten screw (3) to 45-50 ft-lbs (61-67.8 Nm).
2. Position footboard support (4) on mounting stud so that bolt hole aligns with machined groove in stud.
3. Insert screw (5) through left side in split hub of footboard support. Thread into tapped hole (right side) of split hub.
4. Tighten screw (5) to 10 ft-lbs (13.6 Nm).
5. Place spring (6) into retaining hole in footboard support. Rest ball (7) on top of spring.
6. Refer to appropriate I-Sheet for instructions to install the footrest (A) and pivot pins (8) for your motorcycle.

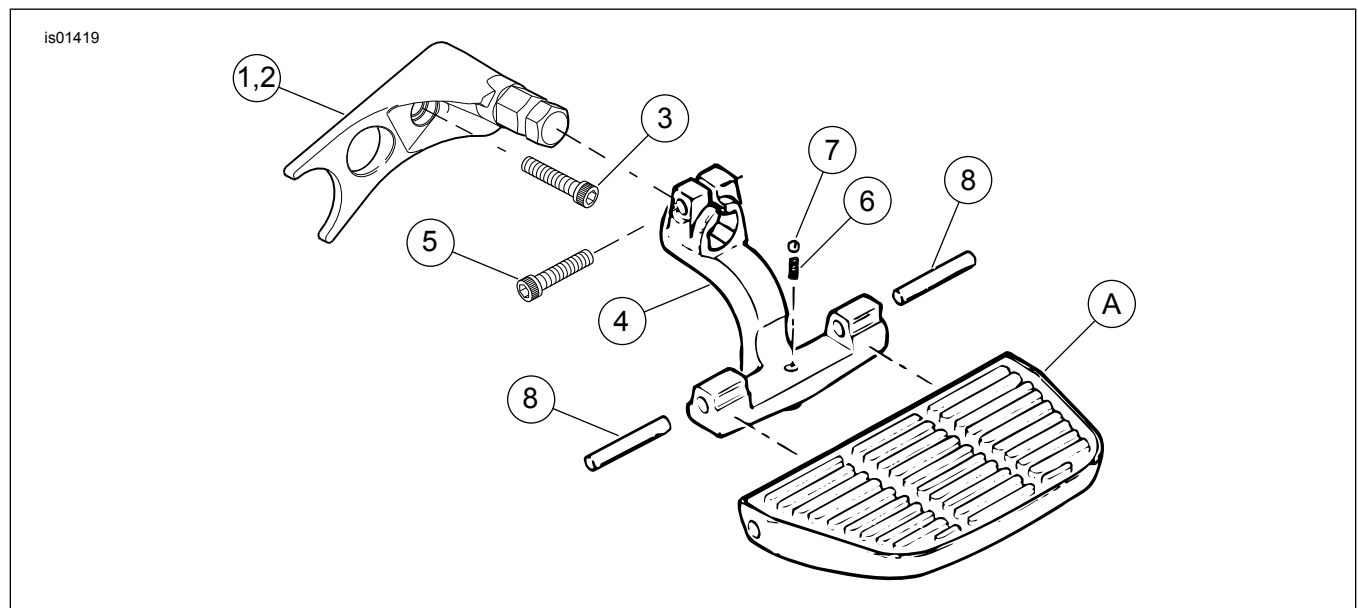


Figure 1. Service Parts: Softail Passenger Footboard Support Kits



Table 1. Service Parts: Softail Passenger Footboard Support Kits

Kit	Item	Description (Quantity)	Part Number
Kit 50459-06 (Black)	1	Mount, footboard, left hand	50483-00
	2	Mount, footboard, right hand	50481-00
	3	Screw, socket head cap (2)	4310
	4	Support, footboard (2)	52713-95A
	5	Screw, socket head cap (2)	3601
	6	Spring (2)	33085-74
	7	Steel ball, chrome (2)	8860
	8	Pivot pin kit	50933-86A (includes four 50838-04)
Kit 50460-06 (Chrome)	1	Mount, footboard, left hand	50483-00
	2	Mount, footboard, right hand	50481-00
	3	Screw, mount (2)	4310
	4	Support, footboard (2)	52716-04
	5	Screw, support (2)	94572-98
	6	Spring (2)	33085-74
	7	Ball, Delrin® (2)	8861
	8	Pivot pin kit	50933-86A (includes four 50838-04)
Items mentioned in text, but not included in kit:			
	A	Footrest (2) (generic footrest shown)	