



INSTRUCTIONS

J02173

2013-11-01



SHIFTER LINKAGE COVER

GENERAL

Kit Numbers

46301-01, 46303-01, 46305-01

Models

For model fitment information, see the P&A retail catalog or the Parts and Accessories section of www.harley-davidson.com (English only).

NOTE

This instruction sheet references Service Manual information. A Service Manual for your model motorcycle is required for this installation and is available from a Harley-Davidson Dealer.

Kit Contents

See Figure 2 and Table 1.

INSTALLATION

1. See Figure 1. Loosen the shifter-rod jam nuts (2).

NOTE

Mount the shifter-linkage cover brackets under, not above, the shifter rod. Mounting the shifter-linkage cover brackets other than under the shifter rod could result in loose or lost brackets and shifter-linkage cover.

2. See Figure 2. Fasten a mounting bracket (3) on the bottom side of the shifter rod between the ball screw shell at the rear end of the rod and the jam nut. Tighten the jam nut on the shifter rod to **80-120 in-lbs** (9.0-13.6 Nm).

3. Fasten the remaining mounting bracket on the bottom side of the shifter rod between the ball screw shell at the front end of the rod and the jam nut. Tighten the jam nut to **80-120 in-lbs** (9.0-13.6 Nm).
4. Position the cover on top of the linkage and examine the fit.
 - a. If the linkage must be adjusted to accept the cover, proceed to Step 5.
 - b. If the cover fits properly, proceed to Step 8.
5. See Figure 1 and the Service Manual. Adjust the length of the linkage, remove the link attaching nut (5), lock washer and flat washer at the forward ball screw.
6. Loosen the jam nut (2) at the front end of the shifter rod, and remove the mounting bracket installed in Step 3. Rotate the forward ball screw shell to achieve the proper length to allow mounting of the cover.
7. Attach the ball screw to the shifter lever with the flat washer, lock washer and nut removed in Step 5. Tighten the nut to **70-90 in-lbs** (7.9-10.2 Nm).
8. See Figure 2. Bend the tabs of each mounting bracket toward the jam nut.
9. Fasten the cover (1) to the mounting brackets using the two short screws (2) from the kit. Tighten the screws to **8-10 ft-lbs** (10.8-13.6 Nm).
10. If the linkage needed adjustment (Steps 5 through 7), the position of the shift foot levers (6) may have changed. To return the levers to their original position, loosen the socket head screws holding the levers to the shaft. Pull the levers from the shaft, rotate them to the desired angle and slide them back onto the shaft. Tighten the screws to **18-22 ft-lbs** (24.4-29.8 Nm).

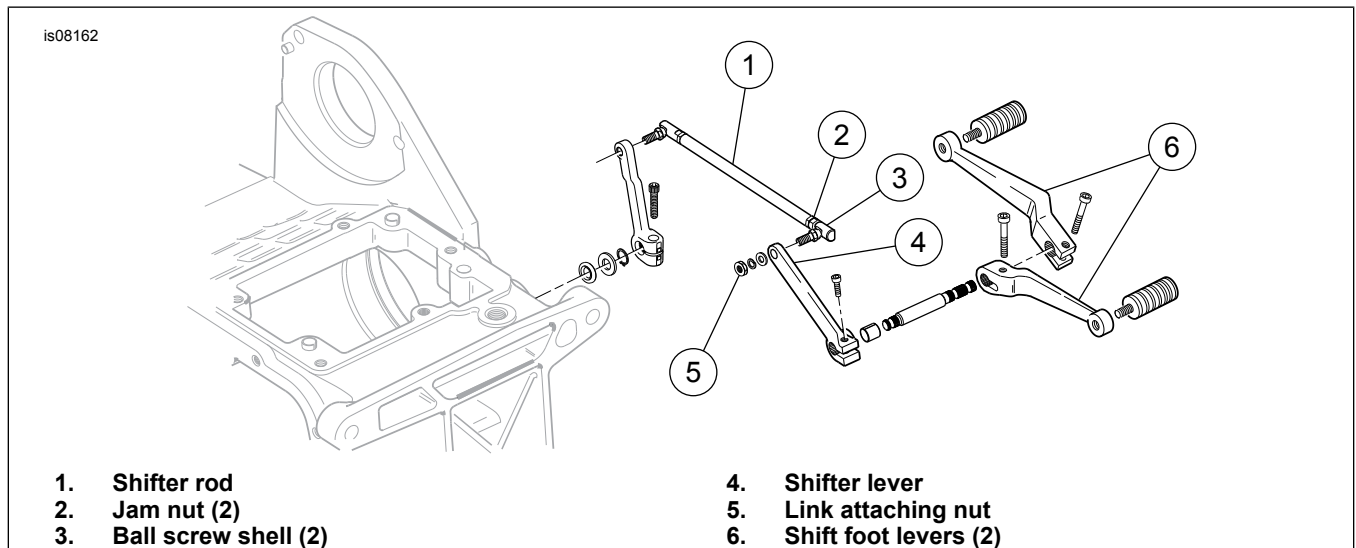


Figure 1. Stock Shifter Linkage

Service Parts

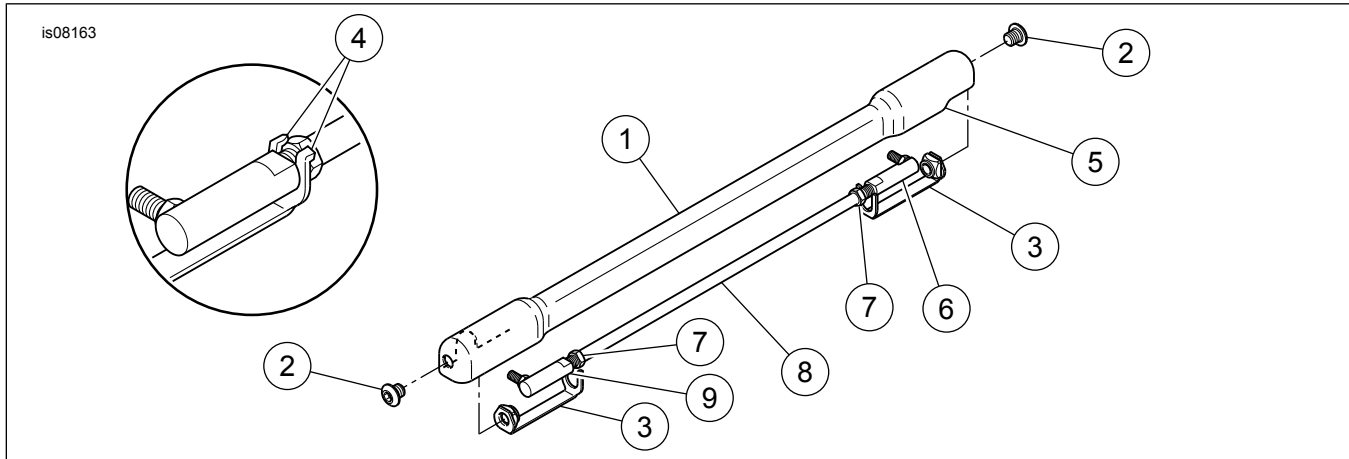


Figure 2. Service Parts

Table 1. Service Parts

Item	Description (Quantity)	Part Number
1	Linkage cover	Not sold separately
2	Screw 1/4-20 x 1/4 in (2)	91762-01
3	Mounting bracket (2)	91775-01
4	Mounting bracket tabs bent to jam nuts	
5	This notch must be positioned toward the rear of the vehicle.	
6	Rear ball screw shell	
7	Jam nut	
8	Shifter rod	
9	Front ball screw shell	
10	Allen wrench, 5/32 in. (not shown)	Not sold separately