



INSTRUCTIONS

J03673

2007-02-20



CHROME PRIMARY COVER HARDWARE KIT

GENERAL

Kit Number

60801-06

Models

For model fitment information, please see the P&A Retail Catalog or the Parts and Accessories section of www.harley-davidson.com (English only).

Kit Contents

See Figure 1 and Table 1.

Table 1. Kit Contents

Description (Quantity)	Part Number
Screw, hex socket head, 1/4-20 x 1-3/8 in. (chrome) (9)	3125
Screw, hex socket head, 1/4-20 x 4 in. (chrome) (4)	1758
Screw, button head, TORX® 1/4-20 x 11/16 in. (chrome) (5)	94292-04
Washer, flat (chrome) (18)	94062-03

INSTALLATION

⚠ WARNING

To prevent accidental vehicle start-up, which could cause death or serious injury, disconnect negative (-) battery cable before proceeding. (00048a)

1. Disconnect battery cable, negative (-) cable only.

NOTE

Replace existing zinc hardware with chrome plated hardware one at a time so the primary chaincase and clutch cover gaskets do not need to be replaced.

2. Remove and discard existing nine 1/4-20 x 1-3/8 in. hex socket head screws with captive washers from chaincase.
3. Install nine chrome hex socket head screws (1) and washers (2) on chaincase (3). Tighten screws to 12.2–13.6 N·m (108–120 in-lbs) .
4. Remove and discard existing four 1/4-20 x 4 in. hex socket head screws with captive washers from chaincase.
5. Install four chrome hex socket head screws (4) and washers (2) on chaincase (3). Tighten screws to 12.2–13.6 N·m (108–120 in-lbs) .

6. Remove and discard existing five 1/4-20 x 11/16 in. button head TORX® screws with captive washers from clutch cover.
7. Install five chrome button head TORX® screws (5) and washers (2) on clutch cover (6). Tighten screws to 9.5–12.2 N·m (84–108 in-lbs) .
8. Connect negative (-) battery cable.

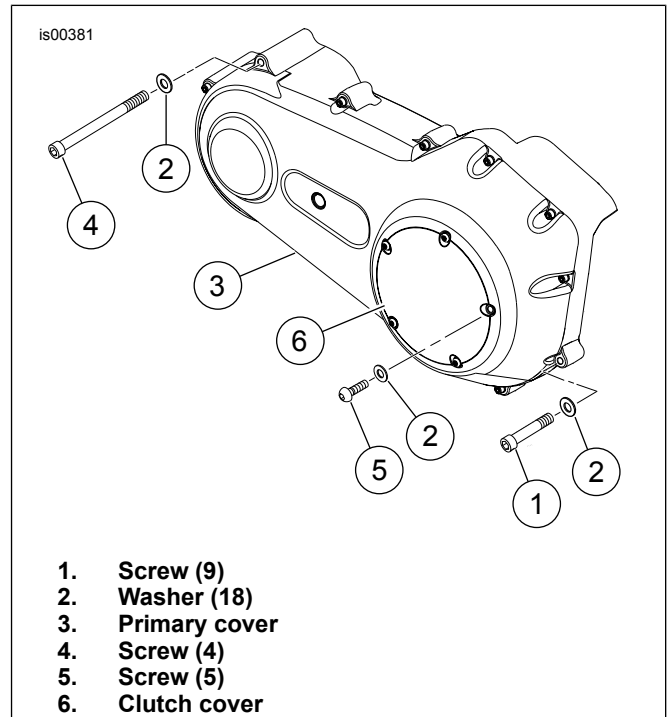


Figure 1. Primary Cover and Hardware