



INSTRUCTIONS

J03793

2006-09-14



DYNA REAR LOWERING KIT

GENERAL

Kit Number

54625-06

Models

For model fitment information, please see the P&A Retail Catalog or the Parts and Accessories section of www.harley-davidson.com (English only).

Additional Parts Required

Proper installation of this kit requires the use of Loctite[®] 243 (blue) thread locker (99642-97).

▲ WARNING

Rider and passenger safety depend upon the correct installation of this kit. Use the appropriate service manual procedures. If the procedure is not within your capabilities or you do not have the correct tools, have a Harley-Davidson dealer perform the installation. Improper installation of this kit could result in death or serious injury. (00333b)

NOTE

This instruction sheet references Service Manual information. A Service Manual for your model motorcycle is required for this installation and is available from a Harley-Davidson Dealer.

Kit Contents

See Figure 1 and Table 1.

REMOVAL

1. Place the motorcycle on a center stand with the rear wheel raised off the ground.
2. Refer to the appropriate Service Manual and remove the stock rear shock absorbers. Save all stock fasteners for installation of new shocks.

INSTALLATION

1. See Figure 1. Apply two to three drops of Loctite 243 (blue) to the threads of lower shock mounting screw (B), then install the new shock to the left side of the swingarm using the lower shock mounting screw and shock nut (F).
2. Apply two to three drops of Loctite 243 (blue) to the threads of lower shock mounting screw, then install the new shock to the right side of the swingarm, threading the bolt into the swingarm.
3. See Figure 1. Apply two to three drops of Loctite 243 (blue) to the threads of upper shock mounting screw (A), then fasten the new shock to the frame using the upper shock mounting screw, two washers (C), shock bolt cover (D) and upper shock spacer (E). Raise or lower the rear tire as necessary to ease installation. Repeat for opposite side.
4. Tighten upper shock mounting bolts to 102–115 N·m (75–85 ft·lbs).
5. Tighten lower shock mounting bolts to 41–54 N·m (30–40 ft·lbs).

SERVICE PARTS

is00472

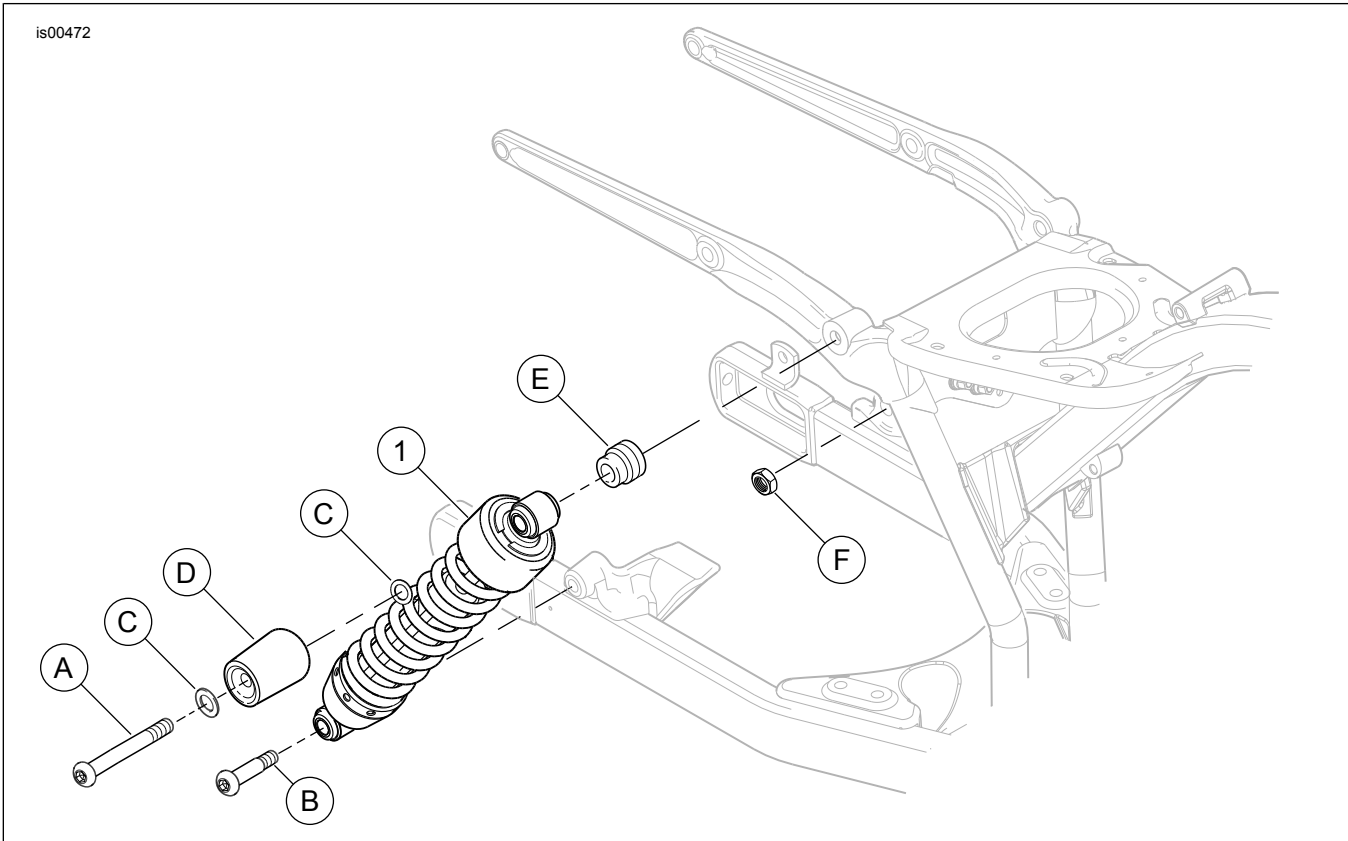


Figure 1. Service Parts for Dyna Rear Lowering Kit (Right Side Shown)

Table 1. Service Parts Table

Item	Description (Quantity)	Part Number
1	Rear shock absorber (2)	54650-06
Items mentioned in text, but not included in kit:		
A	Screw, upper shock (2)	
B	Screw, lower shock (2)	
C	Washer, shock cover (4)	
D	Shock bolt cover (2) (FXDBI and FXD35 only)	
E	Spacer, upper shock (2)	
F	Nut, shock (left side lower shock mount only)	