



# INSTRUCTIONS

J02885

2011-08-04



## ROAD GLIDE WINDSHIELD TRIM KIT

### GENERAL

#### Kit Number

58519-07A, 57400150

#### Models

For model fitment information, see the P&A Retail Catalog or the Parts and Accessories section of [www.harley-davidson.com](http://www.harley-davidson.com) (English only).

#### Kit Contents

See Figure 3 and Table 1.

### INSTALLATION

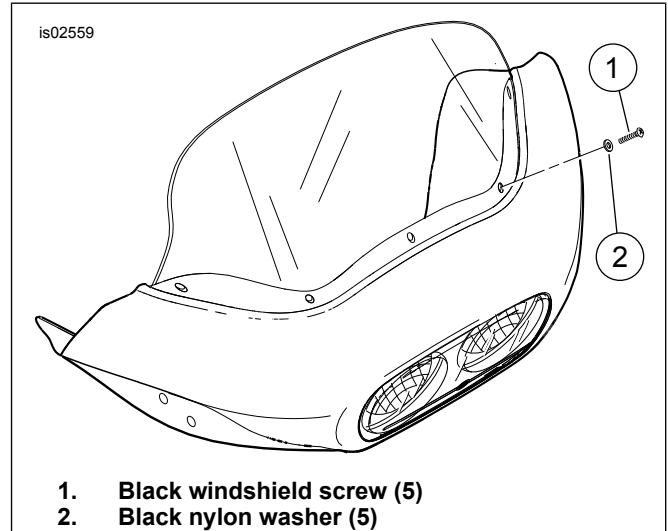
#### NOTE

*When performing this installation, be careful not to scratch the windshield or nearby painted or chrome surfaces.*

**Remove and replace one screw before removing the next.**

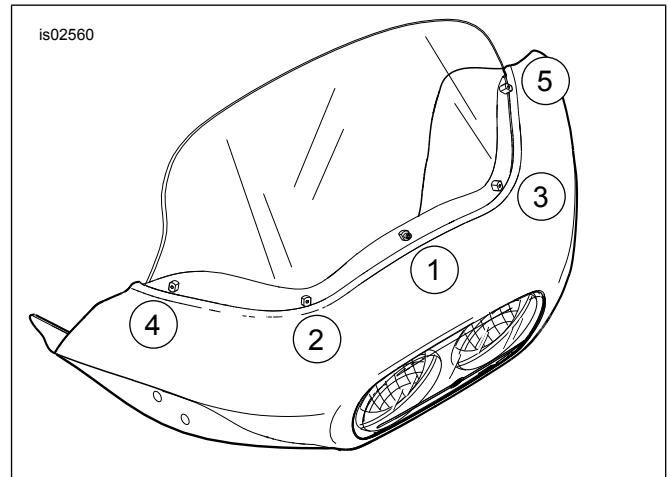
*It is not necessary to remove the black windshield gasket to install this trim kit.*

1. See Figure 1. Remove one of the outside screws (1) and nylon washers (2) fastening the windshield to the outer fairing. Discard the screw but save the washer.
2. See Figure 3. Place the nylon washer saved in Step 1 onto the threads of the fastener (7), and thread the fastener into the open windshield mounting hole. Tighten finger-tight.
3. Repeat steps 1 and 2 for the next screw in line, using another **outer** windshield trim fastener (7) from the kit.



1. **Black windshield screw (5)**
2. **Black nylon washer (5)**

**Figure 1. Windshield Attaching Screws**



**Figure 2. Screw Tightening Sequence**

4. Repeat steps 1 and 2 for the center screw, using the **center** windshield trim fastener (6) from the kit.
5. Repeat steps 1 and 2 for the fourth and fifth screw, using the remaining **outer** windshield trim fasteners (7) from the kit.
6. Tighten all five fasteners securely, in the sequence shown in Figure 2 with open-end wrench (12). When tightening the fasteners at locations 4 and 5, hold the ends of the windshield tight against the fairing.



7. Position the chrome trim (1) in place at the base of the windshield, covering the black rubber windshield trim channel. Hook the rightmost hole over the center trim fastener, and line up the two remaining holes with the holes on the outer fasteners.
8. **If the two holes line up:** Place a washer (10) onto the threads of each screw (9), and use the 1/8 inch hex key (11) to thread the screws into the fasteners at locations 2 and 4. **DO NOT** fully tighten at this time. **If either of the two holes DO NOT line up:** Remove and replace the misaligned outer windshield trim fastener with the **offset** windshield trim fastener (8). Tighten securely, lining up the offset hole with the hole in the chrome trim. Install a washer (10) onto the threads of each screw, and use the 1/8 inch hex key (11) to thread the screws into the fasteners at locations 2 and 4. **DO NOT** fully tighten at this time. Once aligned, if the trim does not sit flush on the windshield and fairing, replace trim fastener (7 or 8) with the thin fastener (13).
9. Repeat Steps 7 and 8 with the left side chrome windshield trim (2).
10. Line up the upper edge of the center trim (3) squarely with the ridge along the outer trims, and line up the center hole.

11. Press the center trim firmly against the outer trims with your thumbs, engaging the 3M Dual Lock™ fasteners to hold the center trim firmly in place. Install the washer (10) onto the screw (9) threads, and thread the screw into the fastener. Tighten securely. Tighten the remaining screws in the same way, working outward as shown in Figure 2
12. Obtain the new Road Glide medallion (4) from the kit. With the text reading upright, position the medallion squarely over the oblong depression in the center trim. Press the medallion into the depression, engaging the Dual Lock fasteners to hold the medallion firmly in place.

## CARE AND CLEANING

The Road Glide medallion is chrome plated, with paint-filled accents.

### NOTICE

**Prevent damage to the medallion surface. Do not use detergents, chemical solvents, polishes or abrasive cleaning agents. (00360b)**

To keep this surface in best condition, lightly wipe with a Harley-Davidson microfiber cloth (Part Number 94663-02), using clear water or a mild Harley-Davidson cleaner such as:

- Sunwash (part number 94659-98)
- Bug Remover (part number 94657-98)
- Harley Gloss (part number 94627-98)

## SERVICE PARTS

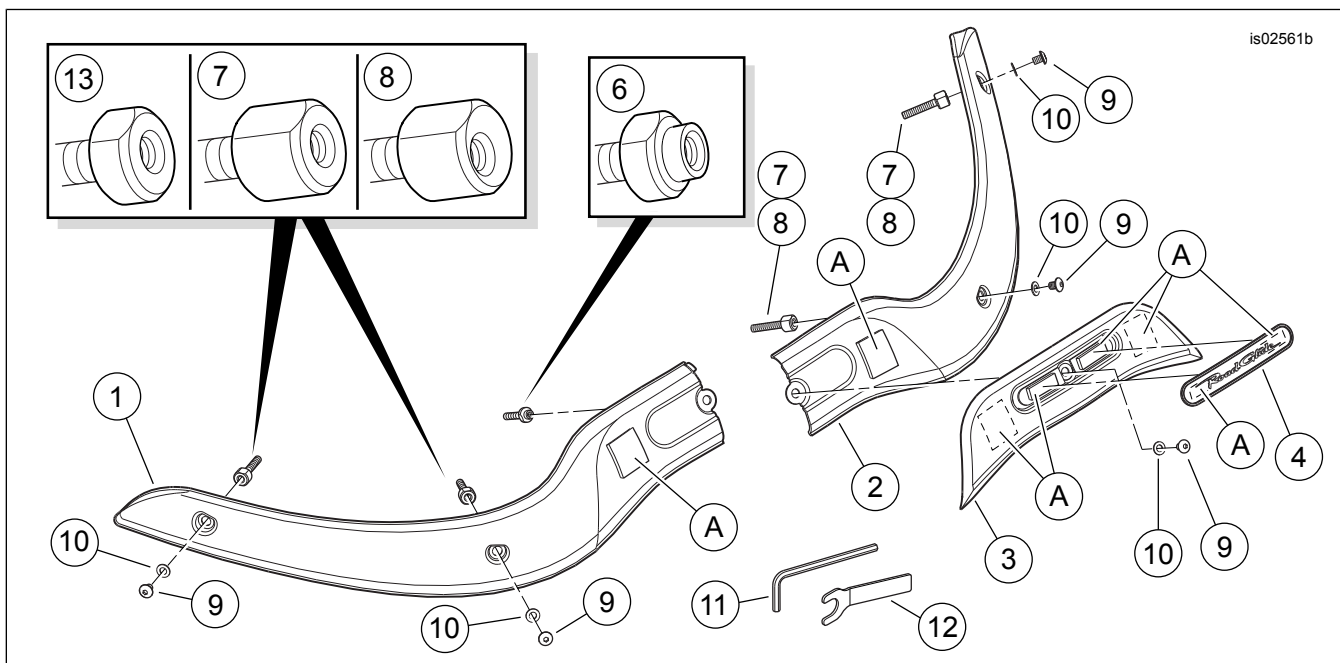


Figure 3. Service Parts: Road Glide Windshield Trim Kit

Table 1. Service Parts: Road Glide Windshield Trim Kit

Item	Description (Quantity)	Part Number
1	Trim assembly, windshield (right)	Not sold separately
2	Trim assembly, windshield (left)	Not sold separately
3	Trim assembly, windshield (center)	Not sold separately
4	Medallion, center (Road Glide)	58232-07
5	Fastener pack (includes items 6 through 13)	58251-07A

**Table 1. Service Parts: Road Glide Windshield Trim Kit**

<b>Item</b>	<b>Description (Quantity)</b>	<b>Part Number</b>
6	• Fastener, windshield trim, center	Not sold separately
7	• Fastener, windshield trim, outer (4)	Not sold separately
8	• Fastener, windshield trim, offset (2)	Not sold separately
9	• Screw, button head, #10-32, chrome (5)	Not sold separately
10	• Washer, flat, stainless steel (5)	Not sold separately
11	• Hex key, 1/8 inch	Not sold separately
12	• Wrench, open end, 3/8 inch	Not sold separately
13	• Fastener, windshield trim, thin (2)	Not sold separately
<b>Reference items mentioned in text:</b>		
A	Dual Lock mount	