



INSTRUCTIONS

J00536

2013-03-01



KING TOUR-PAK PASSENGER BACKREST

GENERAL

Kit Number

52201-97C, 52274-94B, 52892-98B, 51634-06A, 51725-06A, 52300142, 52335-97A, 52395-03B, 52300295, 52300296, 52300297

Models

For model fitment information, see the P&A Retail Catalog or the Parts and Accessories section of www.harley-davidson.com (English only).

Kit Contents

See Figure 2, Figure 3 and Table 1.

NOTE

The backing plates (items 3 and 4, Figure 2 and Figure 3) are required to install these backrests on a motorcycle not previously equipped with a Tour-Pak mounted backrest. If backing plates are not needed, they can be discarded.

INSTALLATION

1. See Figure 1. Align six studs (1) on backrest (2) with drilled holes. Place plastic backing plate (3) over two center studs inside the cover. Next, place the steel backing plate (4) on the two center studs and fasten with 1/4-20 flanged locknuts (5).
2. Fasten the four remaining studs with 1/4-20 flanged locknuts. Torque locknuts to 7.9–9 N·m (70–80 in-lbs).
3. For kits: 51634-06A, 51725-06A, 52201-97C, 52274-94B, 52335-97A, 52395-03B, 52892-98B. Use rubber plugs from the kit to fill two holes in the bottom half of the Tour-Pak. If your Tour-Pak is not equipped with the holes, discard plugs. To install, insert the plug through the hole from the outside of the Tour-Pak. Use a pliers to pull the plug through the hole. Inspect to make sure that the flange is completely through the hole.
4. For kits: 52300142, 52300295, 52300296, 52300297. Insert one screw and washer through each of the holes in the backrest and then through the holes of the Tour-Pak from the outside of the Tour-Pak. Install the nuts from inside the Tour-Pak.

5. Close Tour-Pak cover and check for proper backrest alignment.

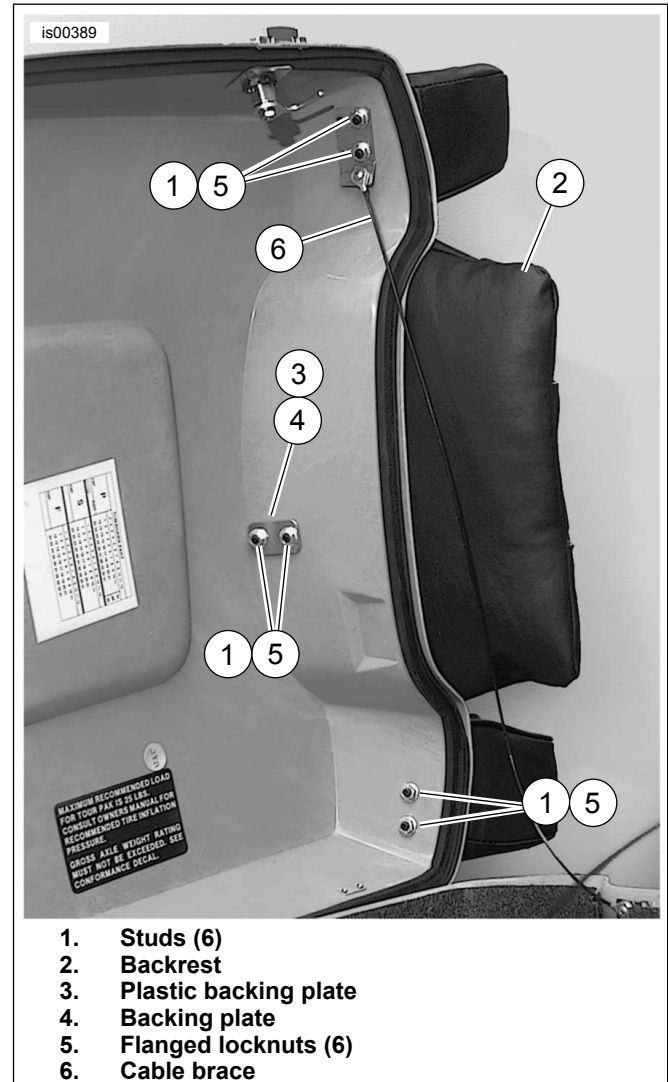


Figure 1. Mounted Backrest on King Tour-Pak



SERVICE PARTS

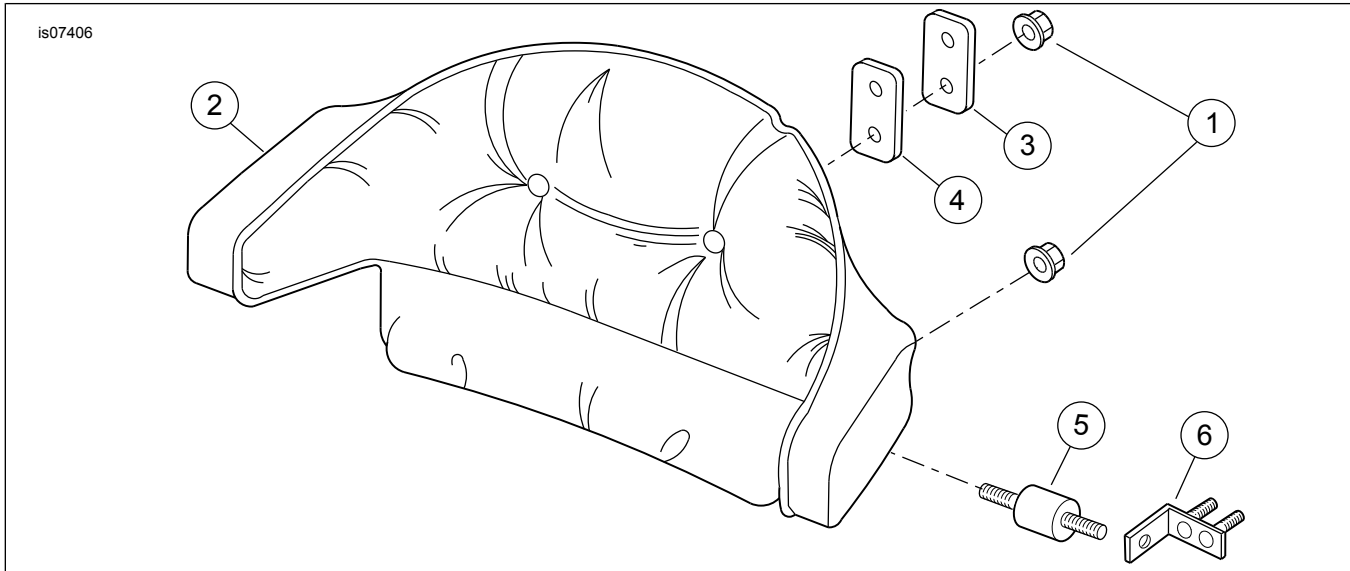


Figure 2. Service Parts for kits: 51634-06A, 51725-06A, 52201-97C, 52274-94B, 52335-97A, 52395-03B, 52892-98B.

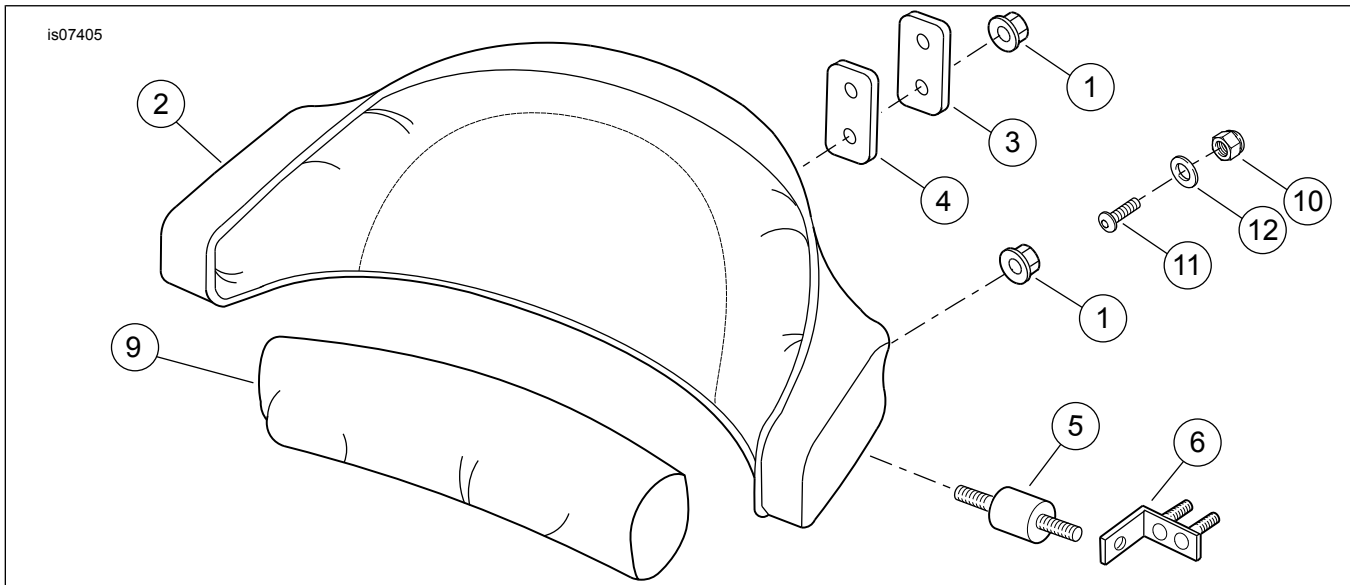


Figure 3. Service Parts for kits: 52300142, 52300295, 52300296, 52300297.

Table 1. Service Parts: Touring Quick Release Windshield Kits

Item	Description (Quantity)	Part Number	Item	Description (Quantity)	Part Number
1	Nut, flange, locking (6)	7716	7	Template (not shown)	Not Sold Separately
2	Backrest assembly	Not Sold Separately	8	Rubber plug (2) (not shown)	Not Sold Separately
3	Backing plate, steel	53515-86	9	Backrest pad	Not Sold Separately
4	Backing plate, plastic	53517-86	10	Acorn nut (2)	90844-80
5	Isolator (3 are included with item 2). Three replacement isolators are available in Kit: 86A	52192-86A	11	Screw (2)	2724
6	Bracket, Backrest (2)	51715-06	12	Washer (2)	6716