



# INSTRUCTIONS

J02920

2008-08-07



## ROCKER BOX CHROME HARDWARE KIT

### GENERAL

#### Kit Number

94291-04A

#### Models

For model fitment information, see the P&A Retail Catalog or the Parts and Accessories section of [www.harley-davidson.com](http://www.harley-davidson.com)

#### NOTE

*This instruction sheet references service manual information. A service manual for your model motorcycle is required for this installation and is available from a Harley-Davidson Dealer.*

### INSTALLATION

1. Remove the main fuse following the instructions in the owner's manual or service manual.
2. Replace existing zinc hardware with chrome plated hardware one at a time so the rocker cover and rocker cover gasket do not need to be replaced.
3. Refer to the service manual for screw locations and torque values.
4. Install the main fuse.

### SERVICE PARTS

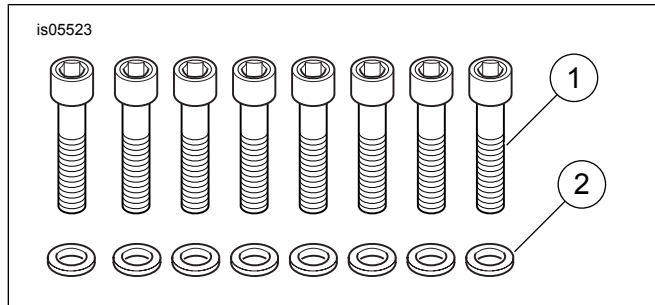


Figure 1. Service Parts: Rocker Box Chrome Hardware Kit

Table 1. Service Parts: Primary Cover Chrome Hardware Kit

Item	Description (Quantity)	Part Number
1	Screw, chrome socket head hex cap, 1/4-20 x 1.0 inch (8)	94314-91TS*
2	Washer, chrome, 1/4-20 ID x 5/8 OD x 1/16 inch thick (8)	6339

\* Screws provided in this kit are shipped with threadlocker applied. If replacement screws are ordered, apply LOCTITE® 243 Threadlocker and Sealant - Blue (99642-97) to the threads before installation.

