



INSTRUCTIONS

J01304

2005-04-20



FORK TUBE AND STEM COVER KIT

GENERAL

Kit Number

45002-98, 46129-98B

Models

Kit 45002-98 fits 2000 and later FXST, FXSTB, FXSTD, and 1986-1999 FXSTC Softail models, and 1993-2005 FXDWG models.

Kit 46129-98B fits 1986-later FLSTC, 1990 and later FLSTF, 1995-2005 FXD, 1993-2005 FXDL, 1994-2005 FXDS-CONV., and 1988 and later XL Models. Does not fit XL Custom or 1200S models.

Additional Parts Required

Loctite[®] 243 (blue) (Harley-Davidson Part Number 99642-97) is available from a Harley-Davidson Dealer

Kit Contents

See Figure 2 and Table 1.

INSTALLATION - Kit 45002-98

1. See Figure 2. Place smaller slider tube cap covers (3) over slider tubes. Apply Loctite 243 blue to the two 3/16 inch long set screws (5).
2. See Figure 1. Tighten 3/16 inch set screws until the covers are secure. The set screws must tighten against the flat (1) of the fork nut as shown.
3. See Figure 2. Place larger fork stem nut cover (4) over fork stem nut. Apply Loctite 243 blue to the remaining 1/4 inch set screw (2). Tighten 1/4 inch set screw against fork nut flat until cover is secure.
4. Remove adhesive backing from logos (1). Place logos in desired orientation on covers. Press firmly into place to activate the adhesive.

INSTALLATION - Kit 46129-98B

1. See Figure 2. Place larger slider tube cap covers (3) over slider tubes. Apply Loctite 243 blue to two of the 1/4 inch long set screws.
2. See Figure 1 and Figure 2. Choose the appropriate set screw hole depending on height of fork nut from top of triple tree clamp. Tighten 1/4 inch set screws (2) until the covers are secure. The set screws must tighten against the flat of the fork nut as shown in Figure 1. On FLSTC and FLSTF models, use set screw hole shown in Figure 2.
3. See Figure 2. Place smaller fork stem nut cover (4) over fork stem nut. Apply Loctite 243 blue to the remaining 1/4 inch set screw. Tighten 1/4 inch set screw against fork nut flat until cover is secure.
4. Remove adhesive backing from logos (1). Place logos in desired orientation on covers. Press firmly into place to activate the adhesive.

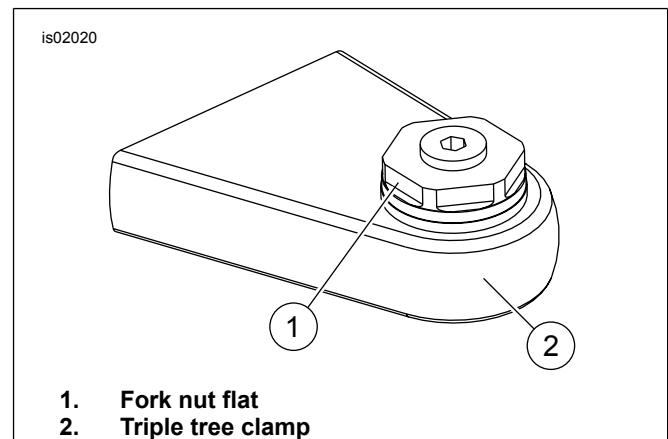


Figure 1. Fork Nut

SERVICE PARTS

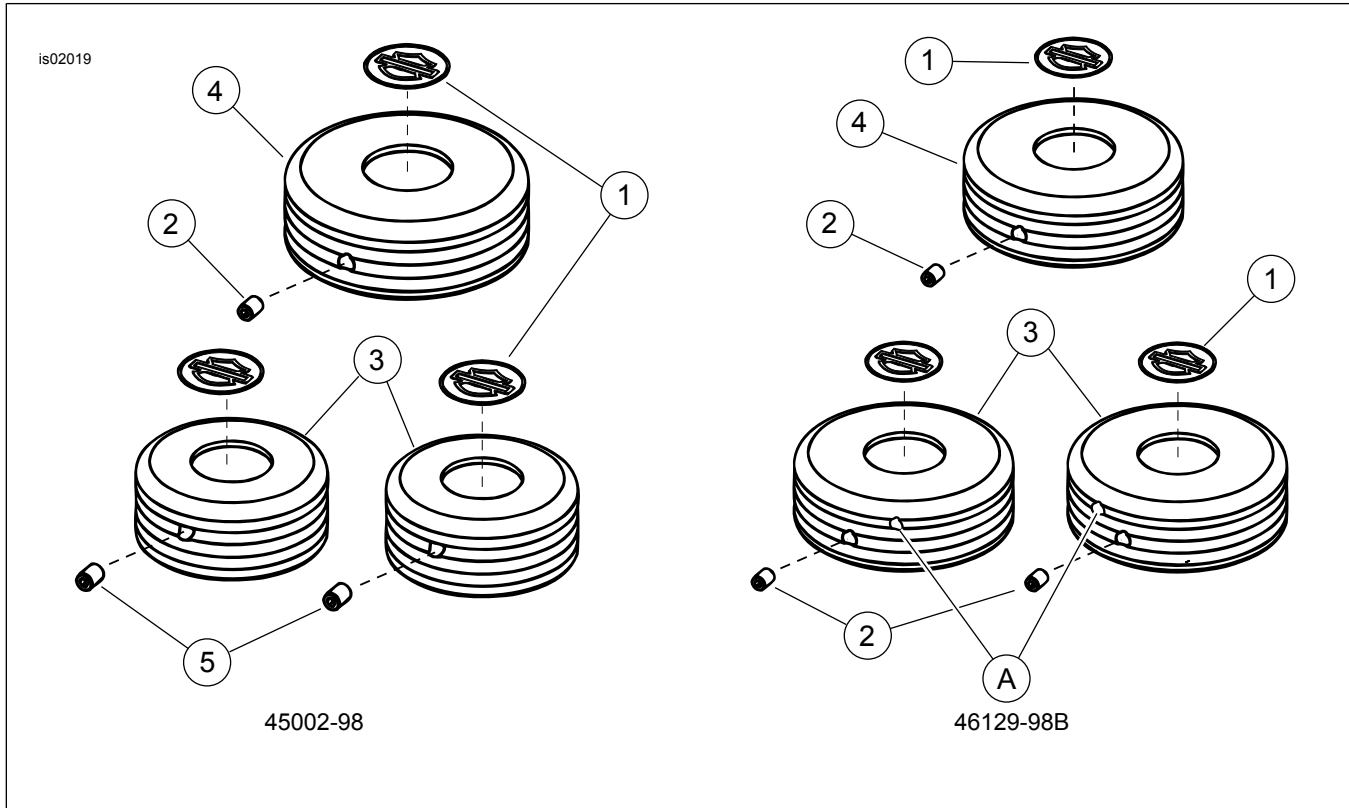


Figure 2. Service Parts: Fork Tube And Stem Cover

Table 1. Service Parts: Fork Tube And Stem Cover

Kit Contents 45002-98			Kit Contents 46129-98B		
Item	Description (Quantity)	Part Number	Item	Description (Quantity)	Part Number
1	Logo, Bar & Shield (3)	14448-94	1	Logo, Bar & Shield (3)	14448-94
2	Set screw, 1/4 inch	Not Sold Separately	2	Set screw, 1/4 inch (3)	Not Sold Separately
3	Cover, fork tube (2)	Not Sold Separately	3	Cover, fork tube (2)	Not Sold Separately
4	Cover, fork stem nut	Not Sold Separately	4	Cover, fork stem nut	Not Sold Separately
5	Set screw, 3/16 inch (2)	Not Sold Separately	Reference Items		
			A	Use this set screw hole on FLSTC, FLSTF models.	