



INSTRUCTIONS

J01307

2015-06-29



TRANSMISSION DIPSTICK KIT

GENERAL

Kit Numbers

37123-98A, 37103-08, 62700192

Models

For model fitment information, see the P&A retail catalog or the Parts and Accessories section of www.harley-davidson.com (English only).

NOTE

A service manual for your year/model motorcycle is available from a Harley-Davidson dealer.

Kit Contents

Table 1. Kit Contents

Description (Quantity)	Part Number
Transmission dipstick assembly	Not sold separately
O-ring	11132A
Medallion (Chrome dipstick only)	14448-94

INSTALLATION

1. Remove existing dipstick assembly.
2. See Figure 1. Make sure the O-ring (2) is firmly seated on dipstick assembly (1) as shown.
3. Install new dipstick assembly in same location as original dipstick assembly. Hand-tighten.
4. After installation as described in Step 3, remove the backing from the medallion (3) if present. Apply the medallion in the desired orientation to the recessed area as shown.

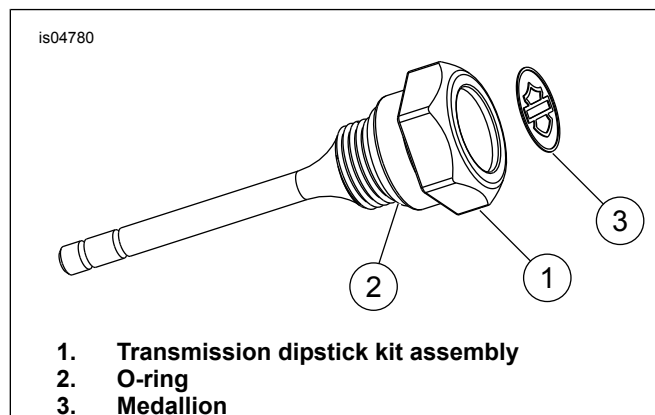


Figure 1. Transmission Dipstick Kit Assembly

