



INSTRUCTIONS

J00560

2006-04-11



SOFTAIL REAR MASTER CYLINDER COVER KIT

GENERAL

Kit Number

45665-01

Models

This kit fits 2000-2006 FX Softail® (except models equipped with extended reach forward controls).

Kit Contents

See Figure 2 and Table 1.

There are no Service Parts available with this kit.

A Service Manual for your model motorcycle is available from any Harley-Davidson dealer.

INSTALLATION

1. See Figure 2. Using screw (2) and lockwasher (1), loosely install bracket (5) to cover (4). Finger tighten.
2. See Figure 1. Remove the screw fastening the front of the master-cylinder bracket (1) to the frame.
3. Slip the master-cylinder cover over the master cylinder. Align the mounting-bracket hole with the hole in the master-cylinder bracket.

4. Install the screw removed in step 2 through the mounting bracket and master-cylinder bracket. Tighten to 12-15 ft-lbs (16.3-20.3 Nm).
5. Tighten the cover screw (2) securely.

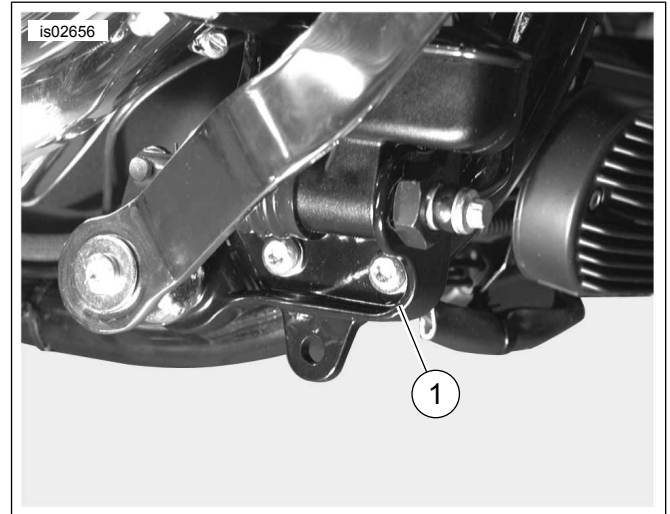


Figure 1. Rear Master Cylinder Bracket

SERVICE PARTS

is02657

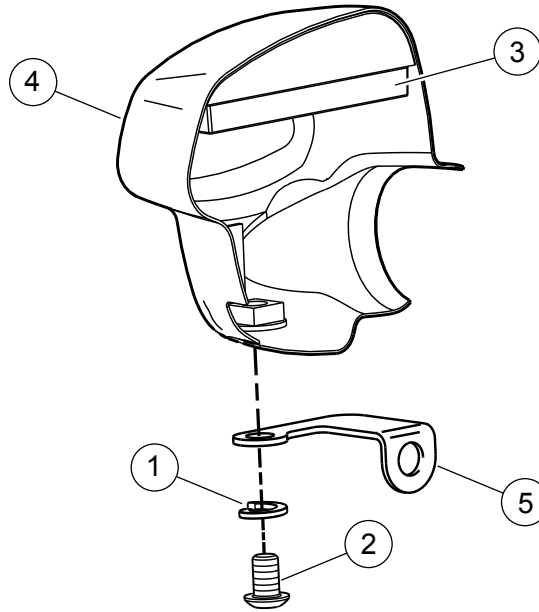


Figure 2. Service Parts: Softail Rear Master Cylinder Cover Kit

Table 1. Service Parts Table

Item	Description (Quantity)	Part Number
1	Lockwasher, spring	94081-90T
2	Screw, button head	94396-92T
3	Pad, cover	Not Sold Separately
4	Cover, master cylinder	Not Sold Separately
5	Bracket, mounting	Not Sold Separately