



# INSTRUCTIONS

J01694

2013-05-01



## FRONT SPEAKER TRIM

### GENERAL

#### Kit Number

74604-99, 61400197, 61400193

#### Models

For model fitment information, see the P&A Retail Catalog or the Parts and Accessories section of [www.harley-davidson.com](http://www.harley-davidson.com) (English only).

#### Kit Contents

There are no Service Parts available with these kits.

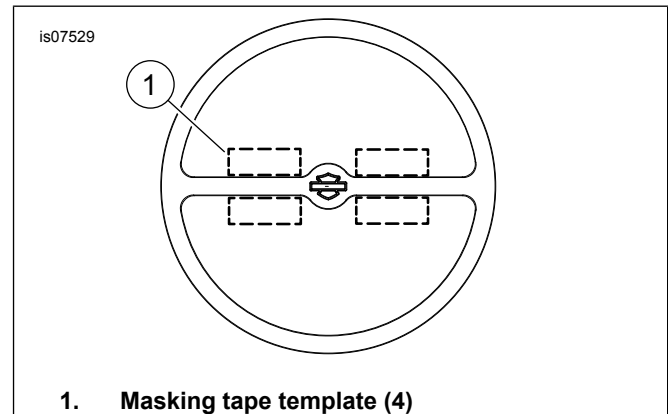
### INSTALLATION

#### NOTE

*Do not install this product when the ambient temperature is below 60 degrees F (16 degrees C).*

#### Kits 74604-99 and 61400197

1. Gently brush or vacuum speaker grilles to remove any dust or dirt particles.
2. Cut eight 1-inch (25 mm) strips of narrow masking tape.
3. Without removing the adhesive backing, position the trim ring against the speaker grille.
4. Rotate trim ring into desired position and hold in place.
5. See Figure 1. Apply masking tape directly to the speaker grille above and below the trim ring cross-bar and on both sides of the center of the Bar & Shield logo. This will serve as an installation template.
6. Remove trim ring adhesive backing.
7. Align trim ring with the masking tape template and press firmly into place.
8. Remove masking tape template.
9. Repeat steps 3 through 8 for other speaker.
10. Allow adhesive to cure for 24 hours before operating the motorcycle.



1. Masking tape template (4)

Figure 1. Speaker Grille

#### Kit 61400193

1. Gently brush or vacuum speaker grilles to remove any dust or dirt particles.
2. Remove trim ring adhesive backing.
3. Align trim ring and press firmly into place.
4. Repeat steps 2 and 3 for other speaker.
5. Allow adhesive to cure for 24 hours before operating the motorcycle.