



INSTRUCTIONS

J01338

2006-10-09



CHROME FRONT END KIT

GENERAL

Kit Number

46224-00

Models

For model fitment information, please see the P&A Retail Catalog or the Parts and Accessories section of www.harley-davidson.com (English only).

Additional Parts Required

⚠ WARNING

Rider and passenger safety depend upon the correct installation of this kit. Use the appropriate service manual procedures. If the procedure is not within your capabilities or you do not have the correct tools, have a Harley-Davidson dealer perform the installation. Improper installation of this kit could result in death or serious injury. (00333b)

NOTE

This instruction sheet references Service Manual information. A Service Manual for your model motorcycle is required for this installation and is available from a Harley-Davidson Dealer.

NOTE

We recommend this kit be installed by a factory trained technician at an authorized Harley-Davidson Dealer.

Kit Contents

See Figure 1 and Table 1.

NOTE

Harley-Davidson has designed and manufactured this front end according to our very stringent and well-tested standards. Do not modify the FXST/FXSTB front end in any way that changes our original design.

NOTE

Do not install this front end kit on any non-approved motorcycle. Do not install on three-wheeled vehicles of any kind.

NOTE

DO NOT use front end components that have been remanufactured (straightened, plated, welded) in any way. There can be no certainty that remanufactured front end components will have the strength of the original, unchanged components.

INSTALLATION

Front Forks

Refer to the applicable Service Manual for Front Fork Assembly and Installation procedures.

Steering Head Bearing Adjustment

Refer to the applicable Service Manual for Steering Head Bearing Adjustment procedures.



SERVICE PARTS

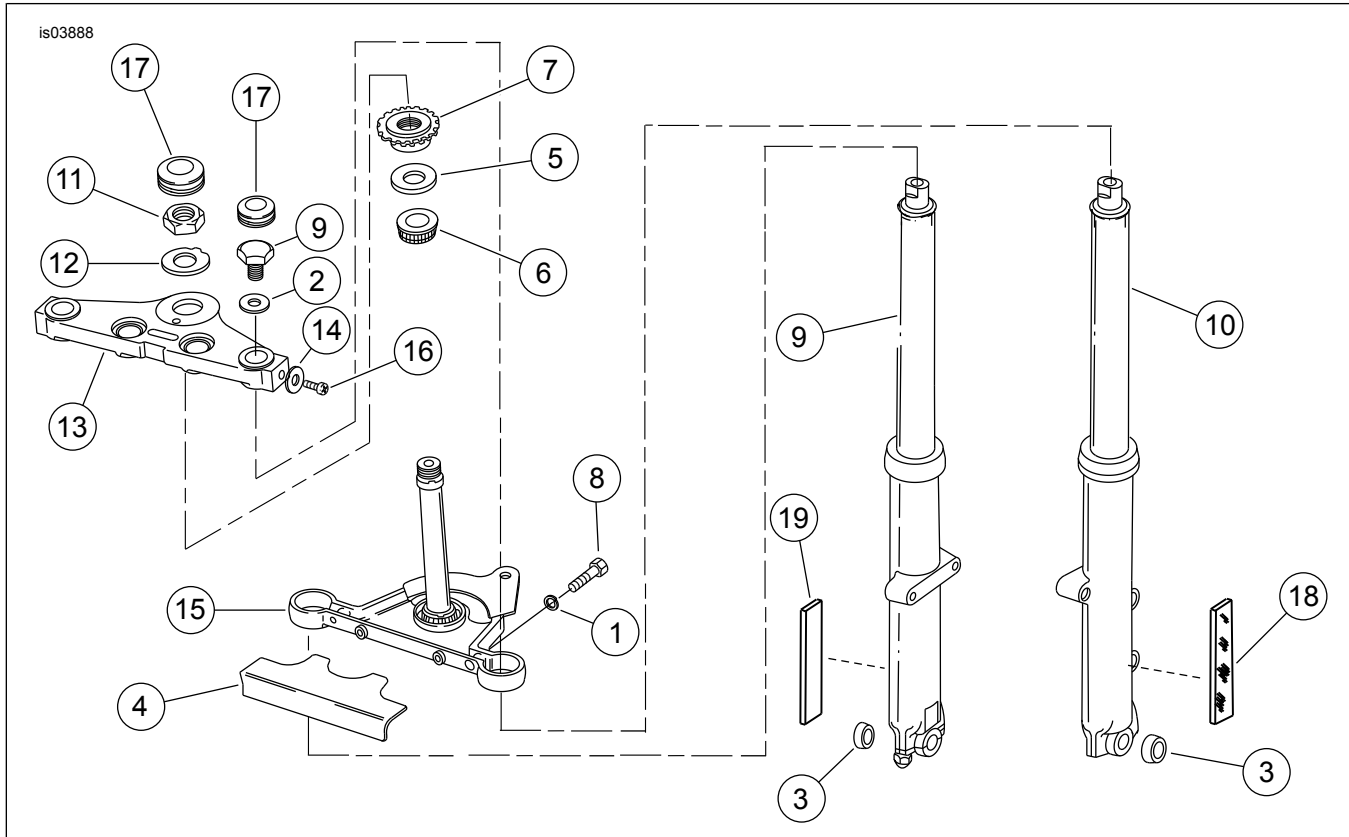


Figure 1. Service Parts: FXST/FXSTB Front End Kit

Table 1. Service Parts Table

Item	Description (Quantity)	Part Number	Item	Description (Quantity)	Part Number
1	Lockwasher (2)	7039	11	Nut	45718-60
2	Spacer (2)	5710	12	Lockwasher	45717-63
3	Front axle cover kit	43899-86A	13	Triple clamp, upper	45672-80A
4	Lower triple clamp cover	45685-93	14	Lockwasher (2)	45717-63
5	Cover, upper dust	48361-80	15	Triple clamp, lower, assembly	45640-00
6	Bearing	48345-60	16	Screw (2)	94603-98
7	Nut, bearing	48332-48B	17	Fork stem/slider tube cap cover kit	45002-98
8	Bolt, pinch (2)	4729	18	Reflector, amber, left	59482-00
9	Shock, right, fork assembly	46226-00	19	Reflector, amber, right	59481-00
10	Shock, left, fork assembly	46225-00			