



# INSTRUCTIONS

J03682

2006-03-06



## ROAD KING FORK LOCK COVER

### GENERAL

#### Kit Number

71790-05

#### Models

This kit fits 1994 and later FLHR motorcycles.

#### Kit Contents

Table 1. Fork Lock Cover Parts

Item	Description (Quantity)	Part Number
1	Gasket	Not Sold Separately
2	Assembly, fork lock cover	Not Sold Separately
3	Screw, flat, hex socket (2)	4637
4	Flat spring	Not Sold Separately

#### NOTE

At least once a year, apply a small amount of oil to the lock cover pivot screw in the hinge of the assembly.

### INSTALLATION

1. See Figure 1. At the handlebar cover, carefully pry under black plastic area of the lock plate and remove the lock plate. Discard the lock plate.



Figure 1. Remove Fork Lock Plate

2. See Figure 2. Remove and discard the two Phillips cover screws beneath the lock plate.

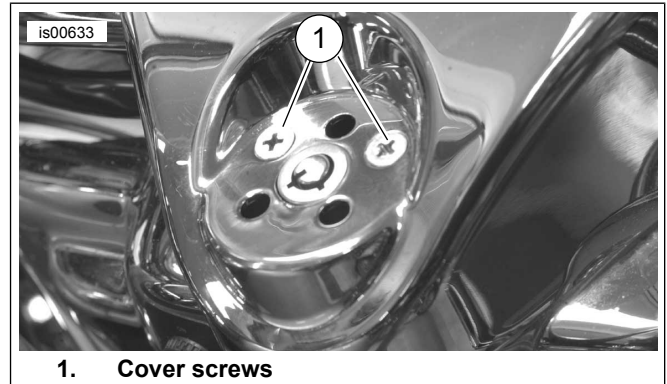


Figure 2. Remove Cover Screws

3. See Figure 3. Obtain the rubber gasket (4) and flat spring (3) from kit. Place the gasket over the mounting location and align the screw holes. Place the flat spring over the gasket and align the screw holes.
4. See Figure 3. Obtain two chrome socket head screws (2) from kit. Place the cover assembly (1) into position, and install screws to secure cover.

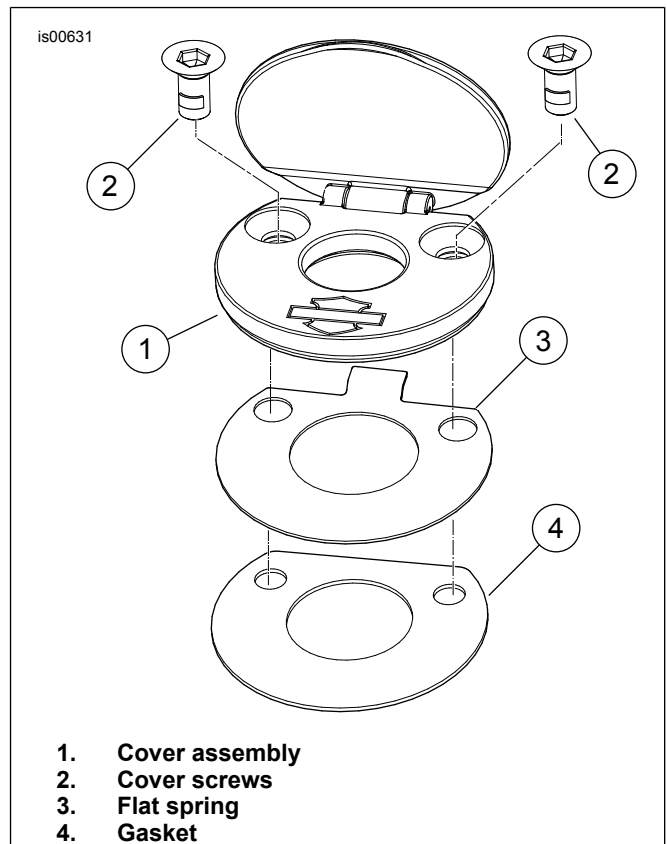


Figure 3. Install Fork Lock Cover

## Operation

Push the cover down to close.