



INSTRUCTIONS

J01366

2005-02-23



BILLET MINI-TACHOMETER MOUNTS

GENERAL

Kit Number

68960-98A, 68961-98A, and 68962-98A

Models

These mounts are designed to replace the brackets contained in Custom Mini Tachometer (Tach.) Kits. In the following list the corresponding kit numbers are given with the mount Part numbers.

Kit number 68960-98A fits 1993 and later FXDWG, and 1986 and later FLSTF/C, and 1993-96 FLSTN. To be used with Custom Mini Tach. Kit Part No. 67946-96B.

Kit number 68961-98A fits 1994 and later FLHR (except FLHRSEI2) models, and Softail models with chrome nacelle Part No. 67907-96. To be used with Custom Mini Tach. Kit Part No. 67943-96C.

Kit number 68962-98A fits 1984 and later FXST/C. To be used with Custom Mini Tach. Kit Part No. 67948-96C.

Kit Contents

There are no Service Parts available with these mounts.

NOTE

A Service Manual for your motorcycle is available from your Harley-Davidson Dealer.

GENERAL INSTRUCTIONS FOR ALL MOUNTS

⚠ WARNING

Rider and passenger safety depend upon the correct installation of this kit. Use the appropriate service manual procedures. If the procedure is not within your capabilities or you do not have the correct tools, have a Harley-Davidson dealer perform the installation. Improper installation of this kit could result in death or serious injury. (00333b)

⚠ WARNING

Disconnect negative (-) battery cable first. If positive (+) cable should contact ground with negative (-) cable connected, the resulting sparks can cause a battery explosion, which could result in death or serious injury. (00049a)

1. Remove the seat, according to Service Manual instructions.

NOTE

These mounts may be installed during the installation of the Custom Mini Tach. Kits or the mounts may be added

after the Tach. Kits have been installed. Continue at the following procedure that applies:

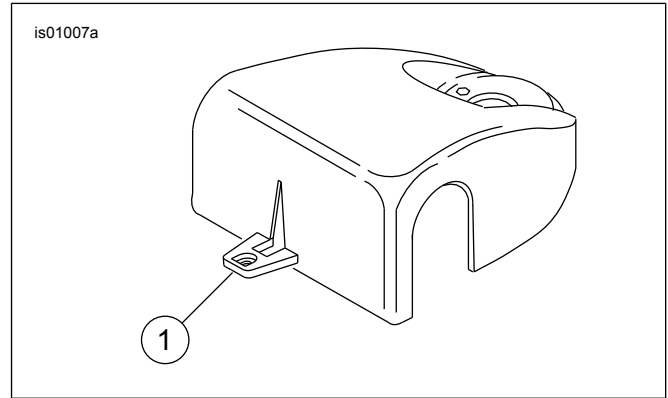


Figure 1. Locating Mounting Holes

MOUNT INSTALLATION CONCURRENT WITH KIT

1. Follow procedure given in the Custom Mini Tach. Kit instruction sheet, but use billet mount instead of mount contained in kit. See "Handlebar Fastener Torque" if applicable.

NOTE

If installing **Kit Number 68961-98A**, follow steps 2-8. Template (Part Number 94521-05) is included with kit.

2. Remove headlight assembly from nacelle.
3. Remove center trim piece from nacelle.
4. Remove handlebar cover.
5. See Figure 1 and use the template (Part Number 94521-05) to locate mounting holes in the handlebar cover. Note that on 2003 and later FLHR models the drilling location is 0.25 in. lower than on earlier models.
6. Tape the template (Part Number 94521-05) to handlebar cover. Template should be on front tab (1), centered and square.
7. Drill two 5/16 in. holes at locations on template (Part Number 94521-05).
8. Apply 1-2 drops of Loctite 243 (blue) on screw threads. Install tach mount on handlebar cover using supplied screws and washers.

MOUNT INSTALLATION AFTER KIT IS INSTALLED

1. Refer to the Custom Mini Tach. Kit instruction sheet, and remove screw from tachometer housing.
2. Remove housing and tachometer leads from tachometer.



- Remove kit tachometer mount and install billet mount.
- See "INSTALLING TACHOMETER IN MOUNT" AND "HANDLEBAR FASTENER TORQUE" if applicable.

NOTE

If mount is being installed on a FLHR model, a new handlebar cover must be obtained, because billet mount requires different mounting hole location.

INSTALLING TACHOMETER IN MOUNT

(The following steps are from the Custom Mini Tach. Kit instruction sheet, and are repeated here for convenience).

- Install isolation gasket in bracket. The notch at the top of the bracket locates the gasket in its proper position.
- Feed ring terminal end of tachometer harness through grommet portion of isolation gasket.
- Slide tachometer gauge into bracket from front side making sure to align notches in gauge with notches in isolation gasket. Install ring terminals onto corresponding gauge posts.
- Slide housing (case) onto gauge until edge of housing seats in slot of gasket.
- Secure housing in place with screw.

NOTE

The drilled holes must be located as accurately as possible to avoid interference with and potential damage of the nacelle or windshield. If interference occurs, "slotting" the holes in the handlebar cover is permissible.

HANDLEBAR FASTENER TORQUE - KITS 68960-98A AND 68962-98A

- See Figure 2. Loosen four screws (2 and 3) of handlebar upper clamp (4).
- Raise handlebars to normal riding position; hold in position. Lightly tighten all four screws so gap between lower clamp and tach mount is equal at front and rear.
- Tighten front screws (3) to 12-15 ft-lbs (16-20 Nm) torque.
- Tighten rear screws (2) to 12-15 ft-lbs (16-20 Nm) torque. A slight gap between upper and lower clamps should exist at front and rear.

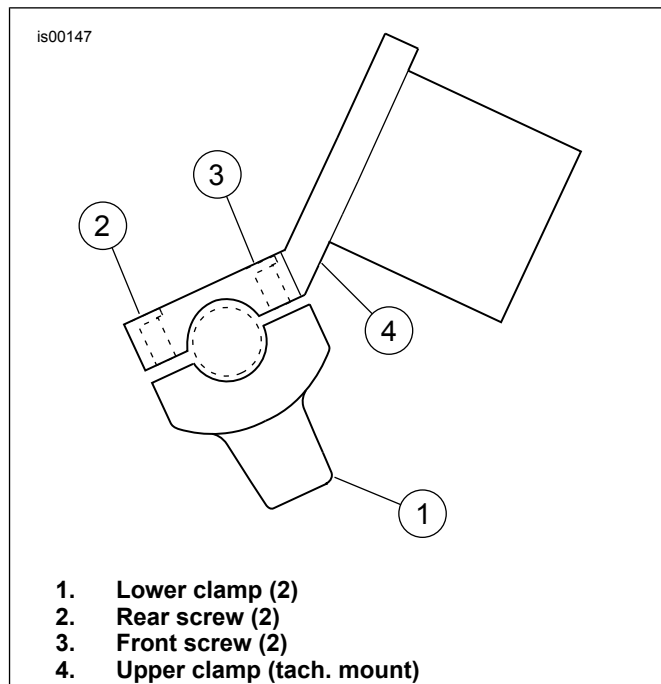


Figure 2. Handlebar Clamp

⚠ WARNING

Connect positive (+) battery cable first. If positive (+) cable should contact ground with negative (-) cable connected, the resulting sparks can cause a battery explosion, which could result in death or serious injury. (00068a)

- Reconnect the battery, positive (+) cable first.

⚠ WARNING

After installing seat, pull upward on seat to be sure it is locked in position. While riding, a loose seat can shift causing loss of control, which could result in death or serious injury. (00070b)

- Reinstall the seat.