



# INSTRUCTIONS

J03688

2005-07-20



## EFI FUEL FITTING COVER

### GENERAL

#### Kit Number

62809-06

#### Models

This kit fits 2003 and later EFI Touring, 2002 and later EFI Softail, and 2004 and later EFI Dyna model motorcycles.

#### Kit Contents

See Figure 1 and Table 1.

### SERVICE PARTS

### INSTALLATION

1. Clean the outer surface of the fitting with a 50/50 mixture of isopropyl alcohol and water. Allow the cleaned surface to dry.
2. See Figure 1. Peel the liner off of the tape (3) already installed in both of the cover halves (1 and 2).
3. Assemble the inner (2) and outer (1) cover halves so that they clamp the fuel supply fitting, and fasten securely from the back side with the three screws (4) from the kit, using the hex key (5) provided.

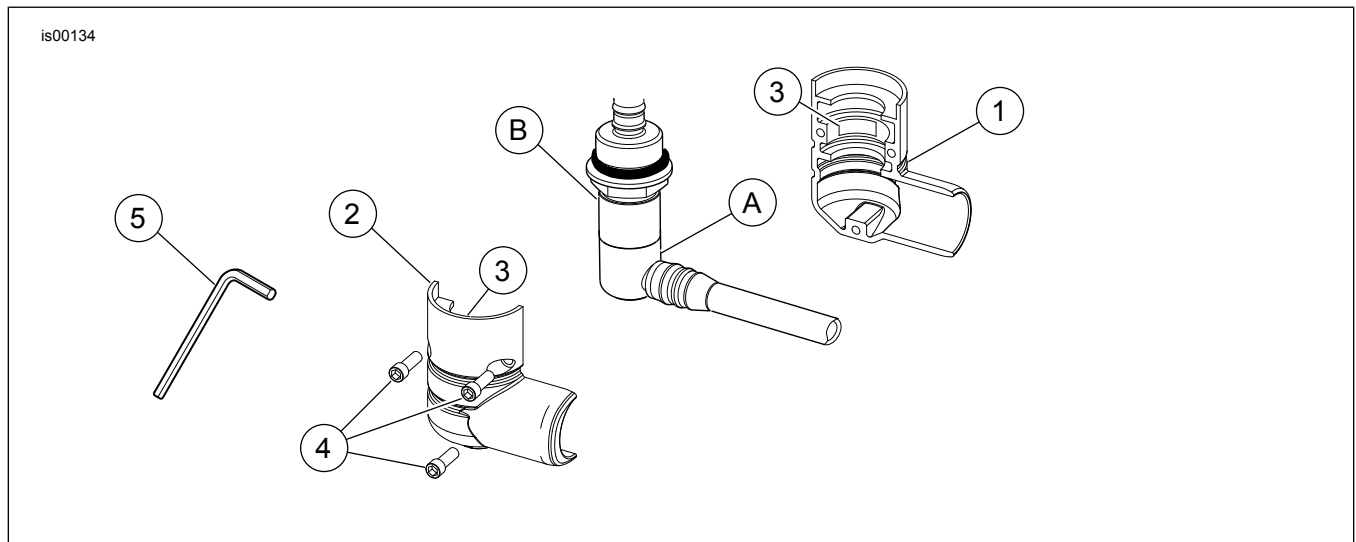


Figure 1. EFI Fuel Fitting Cover

Table 1. Service Parts Table

Item	Description (Quantity)	Part Number
1	Fitting cover, outer	Not Sold Separately
2	Fitting cover, inner	Not Sold Separately
3	Tape (2)	Not Sold Separately
4	Screw, hex socket head, #4-40 x 5/16 in. (3)	Not Sold Separately
5	Hex key	Not Sold Separately
<b>Items mentioned in text, but not included in kit:</b>		
A	Fuel supply fitting	
B	Fuel tank check valve	