



# INSTRUCTIONS

J02680

2013-10-15



## SADDLEBAG LID COVER (BRA) KIT

### GENERAL

#### Kit Number

57805-03A, 90200992

#### Models

For model fitment information, see the P&A retail catalog or the Parts and Accessories section of [www.harley-davidson.com](http://www.harley-davidson.com) (English only).

#### Kit Contents

**2013 and Earlier:** See Figure 1 and Table 1.

**2014 and Later:** See Figure 2 and Table 2.

There are no service parts available for these kits.

### INSTALLATION

#### NOTE

- The saddlebag lid covers are held in place by hook-and-loop fasteners. The hook fastener adhesive must be allowed to cure for 24 hours **before** installing the lid covers.
- The covers are designed to have an extremely tight fit that may make installation difficult, especially for the first time. To ease installation, warm the covers by exposure to direct sunlight or a hair dryer prior to installation. Improper or tight fitment is **not** a warrantable condition.
- Lid cover installation may be easier with the saddlebags removed from the motorcycle.

1. See Figure 1. Open the saddlebag lid. Remove the two screws (5) attaching the check strap (3) to the lid.
2. Wash the entire saddlebag lid, inside and out, with warm, soapy water. Rinse and allow to dry thoroughly.
3. Use the alcohol prep pad provided in the kit to further clean the inside of the lid in the areas where the hook fasteners will be attached.

#### NOTE

- These saddlebag lid covers are designed to have a tight fit and must be stretched slightly when installed for the first time. This can make the covers seem undersize and installation difficult. To ease installation, the covers can be preheated by exposing to direct sunlight. The covers will soften and stretch with less force. The covers may need to be adjusted a few days after installation for a perfect fit.
- **DO NOT** fasten the saddlebag lid cover loop fastener tabs to the hook fasteners until the adhesive has cured for 24 hours.

- The saddlebag lid covers are side-specific. A Bar & Shield logo is stitched into the rear face of each cover.
- **2014 and later:** Stretch the hole in the cover over the latch handle. Removal of the handle is not required.

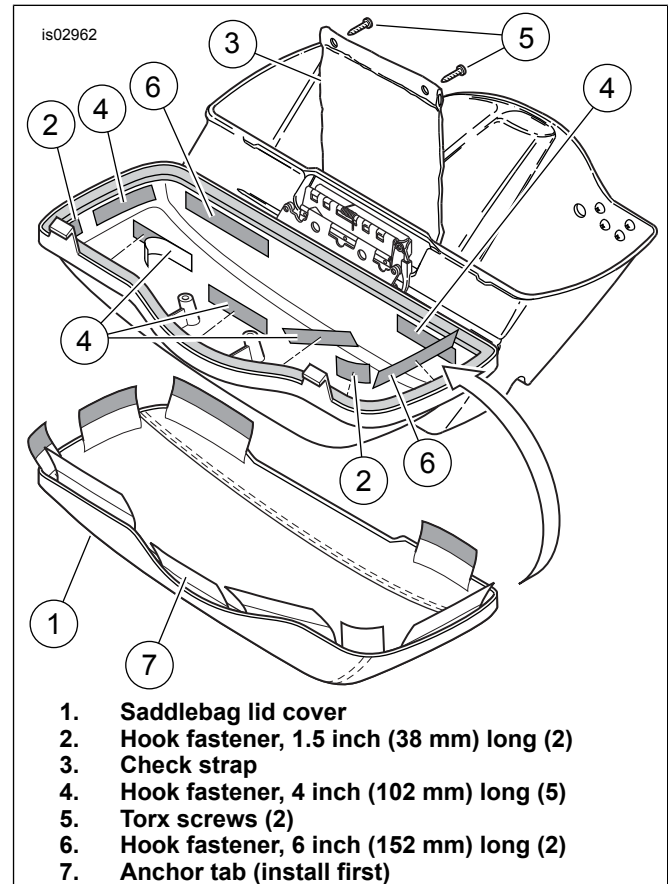
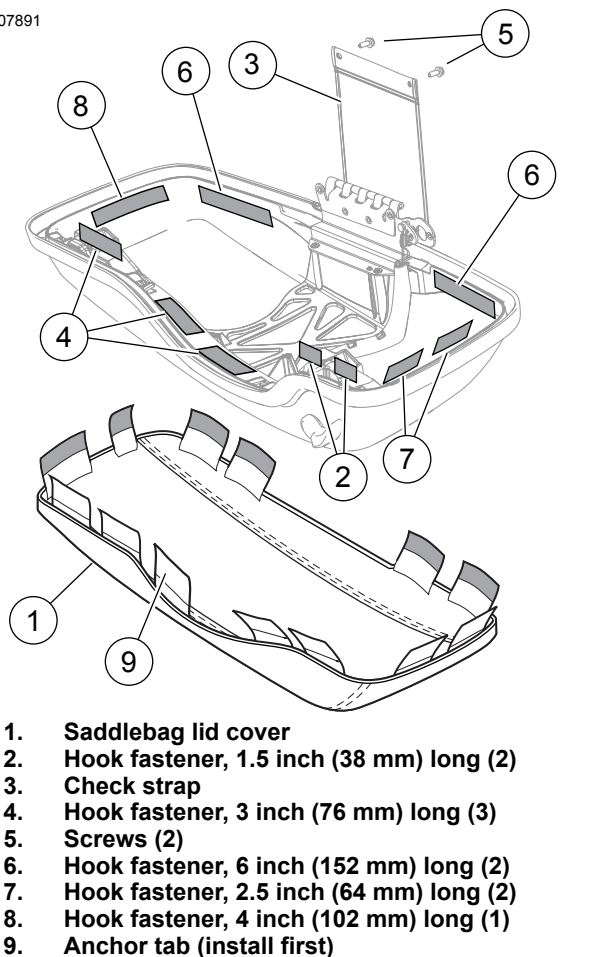


Figure 1. Saddlebag Lid Cover Installation: 2013 and Earlier





**Figure 2. Saddlebag Lid Cover Installation: 2014 and Later**

4. Install the hook fastener strips:
  - a. Place the correct saddlebag lid cover (1) over the saddlebag lid in its proper position.
  - b. Bring the cover tabs over the edge of the lid to serve as a guide in positioning the hook fasteners on the inside of the lid.
  - c. Choose a hook fastener strip that matches length with the fastener tab being installed. Remove the protective backing from one hook fastener strip at a time.
  - d. Use the corresponding loop fastener tab on the cover as a positioning guide only, then fold it back out of the way. Press the hook fastener strip firmly into place on the inside of the lid.

**Table 1. Kit Contents: 2013 and Earlier**

Description (Quantity)	Part Number
Cover, saddlebag lid (right)	Not sold separately
Cover, saddlebag lid (left)	Not sold separately
Hook fastener, 4 inch (102 mm) (10)	Not sold separately
Hook fastener, 6 inch (152 mm) (4)	Not sold separately
Hook fastener, 1.5 inch (38 mm) (4)	Not sold separately
Alcohol prep pad (2)	Not sold separately

**Table 2. Kit Contents: 2014 and Later**

Description (Quantity)	Part Number
Cover, saddlebag lid (right)	Not sold separately
Cover, saddlebag lid (left)	Not sold separately
Hook fastener, 1.5 inch (38 mm) (4)	Not sold separately
Hook fastener, 2.5 inch (64 mm) (4)	Not sold separately
Hook fastener, 3 inch (76 mm) (6)	Not sold separately
Hook fastener, 4 inch (102 mm) (2)	Not sold separately
Hook fastener, 6 inch (152 mm) (4)	Not sold separately
Alcohol prep pad (2)	Not sold separately

5. Repeat Steps 1 through 4 for the opposite saddlebag.
6. Allow the hook fastener adhesive to cure for 24 hours before installing the saddlebag lid covers.
7. After checking that the hook fastener strips are firmly attached, install the covers:
  - a. Place the correct saddlebag lid cover (1) over the saddlebag lid in its proper position.
  - b. Bring the cover tabs over the edge of the lid and, starting with the center tab (7) on the inboard (anchor tab) side of the lid, work around the cover in both directions, ending at the hinge.
  - c. Pull the lid cover so the hem is even with the bottom of the saddlebag lid all around. Adjust the loop fastener tabs as needed for best appearance.
8. Repeat for the opposite saddlebag.