



INSTRUCTIONS

J01711

2005-06-16



SOFTAIL WIDE TIRE KIT

GENERAL

Kit Number

43684-99A

Models

This kit fits 1997 through 1999 FXSTC, FXSTS, FXSTSB, FLSTC, and FLSTF models.

This kit allows the installation of a wider-than-original rear tire (included) on some Softail model motorcycles. With the exception of FLTSC motorcycles, all parts included in this kit install in the same way as original equipment parts.

Additional Parts Required

An alternate sprocket is required to complete the installation of this kit. A narrow black sprocket or a slotted narrow chrome sprocket, must be purchased separately from your Harley Davidson Dealer.

Loctite 262 (red)

Primary chaincase lubricant (HD-99887-84 (quart) HD-99886-84 (gallon)).

▲ WARNING

Rider and passenger safety depend upon the correct installation of this kit. Use the appropriate service manual procedures. If the procedure is not within your capabilities or you do not have the correct tools, have a Harley-Davidson dealer perform the installation. Improper installation of this kit could result in death or serious injury. (00333b)

NOTE

This instruction sheet references Service Manual information. A Service Manual for your model motorcycle is required for this installation and is available from a Harley-Davidson Dealer.

Special Tools Required

- Harley-Davidson Service Manual for your model and year motorcycle
- Primary drive locking tool (HD-41214)
- Torque wrench
- Dial caliper
- Tire changing equipment including a wheel truing/balancing stand or wheel spinner.

Kit Contents

See Figure 5 and Table 1.

INSTALLATION

NOTE

When installing this kit on FLSTC models, or on motorcycles equipped with Softail Docking Hardware Without Saddlebag Supports (Kit Number 53531-95A), you must follow the important steps regarding fender hardware installation that are described on the top of page 2 of this Instruction Sheet.

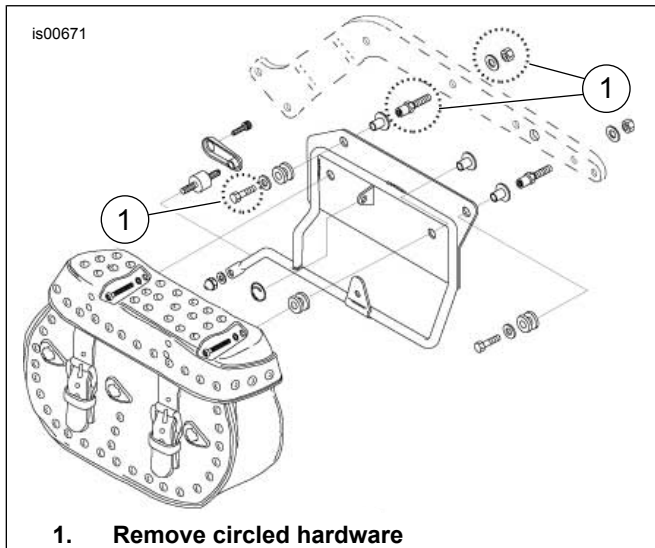
1. Raise rear of motorcycle high enough to permit wheel removal. Support motorcycle with suitable blocking underneath frame and remove wheel.
2. Remove sprocket from wheel and discard. This sprocket will NOT be re-used.
3. Drain primary chaincase lubricant.
4. Remove primary chaincase cover.
5. Remove primary chain, clutch, engine compensating sprocket, and chain adjuster as an assembly.
6. Remove starter jackshaft and starter.
7. Remove inner primary chaincase and discard the crankcase lip O-ring.
8. Remove pivot bolts that are threaded into each end of the swing axis tube. Remove swing axis tube.
9. Remove the drive belt from the transmission sprocket.
10. Place new drive belt from kit over transmission sprocket.
11. Install swing axis tube.
12. Install inner primary chaincase using crankcase lip O-ring from kit.
13. Install starter.
14. Install jackshaft.
15. Install the primary chain, clutch, engine compensating sprocket, and chain adjuster as an assembly.
16. Perform sprocket alignment.
17. Adjust clutch and primary chain tension.
18. Install chaincase cover.
19. Refill chaincase with lubricant.
20. Check that the wheel runs true and that there are no loose spokes on laced wheels.
21. Install kit tire on existing wheel. We recommend that this is done at an authorized Harley-Davidson Dealership. Wheel balancing is recommended to improve handling and reduce vibration, especially at high road speeds. **If this kit is being installed on FLSTC models, or is being used along with Softail Docking Hardware Without Saddlebag Supports (Kit Number 53531-95A), or FLSTC Docking Hardware With Saddlebag Supports (Kit Number 53371-95A), see Figure 1 or 2.**

22. Install new sprocket.
23. Install wheel.
24. Install debris deflector from kit using the button head screws included.
25. Install belt guard from kit using chrome washers and locking acorn nut included.
26. Adjust drive belt tension and check rear wheel alignment.
27. On FLSTF and FLSTC models, check that the fender is centered over the new tire. If the fender needs to be repositioned, loosen the fender mounting hardware, center the fender over the tire, then retighten fender mounting hardware.

NOTE

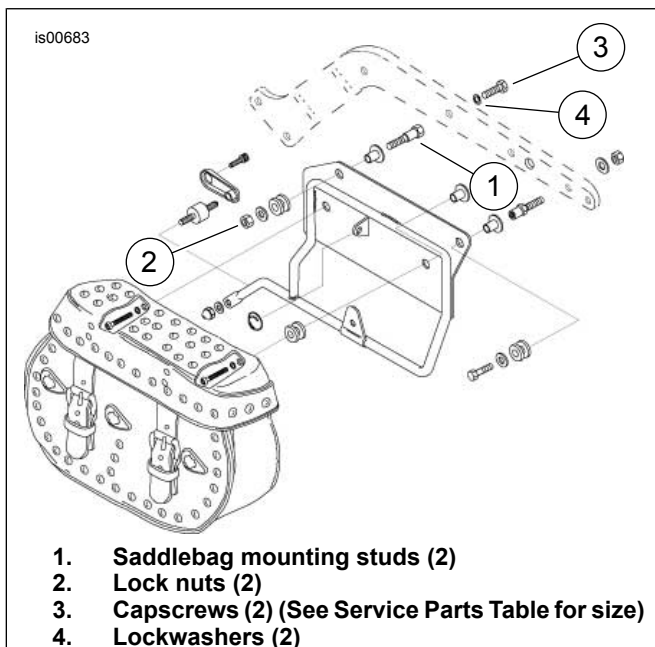
Fully compress the rear suspension to verify proper tire/ fender clearance.

Installing this kit on FLSTC models:



1. Remove circled hardware

Figure 1. Remove Hardware (FLSTC Models)



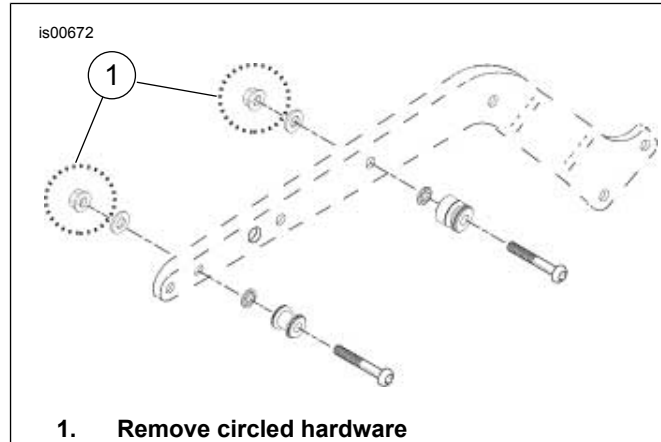
1. Saddlebag mounting studs (2)
2. Lock nuts (2)
3. Capscrews (2) (See Service Parts Table for size)
4. Lockwashers (2)

Figure 2. Fender Hardware Changes For FLSTC

To provide maximum tire clearance, replace the original hardware that attach's the upper front of each saddlebag bracket to the fender support, with hardware from kit as shown in Figure 1 and Figure 2. Follow Steps 1 and 2.

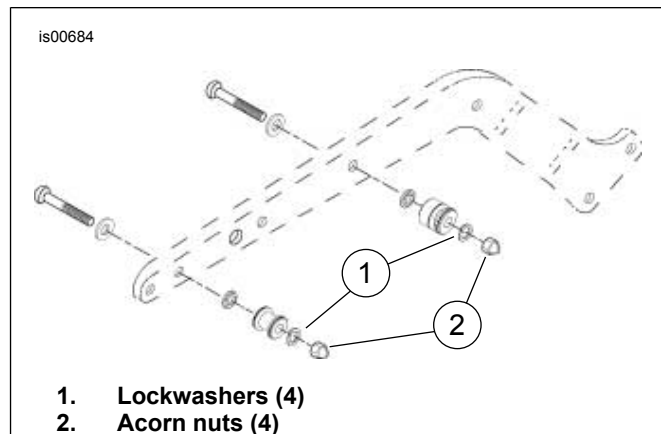
1. Discard 4 original items circled with dashed lines as shown in Figure 1. Keep all other hardware.
2. See Figure 2. Install Items 12-15 from Table 1.

Installing this kit with Softail Docking Hardware Without Saddlebag Supports (Kit 53531-95A):



1. Remove circled hardware

Figure 3. Remove Locknuts



1. Lockwashers (4)
2. Acorn nuts (4)

Figure 4. Hardware Used When Softail Docking Hardware Without Saddlebag Supports (53531-95A) is Used

To provide maximum tire clearance, replace the original docking hardware components with hardware from kit as shown in Figure 3 and Figure 4.

1. Remove button head screws and discard locknuts circled with dashed lines in Figure 3.
2. Install button head screws from inside of fender and install items 16 and 17 from Table 1 as shown in Figure 4.

SERVICE PARTS

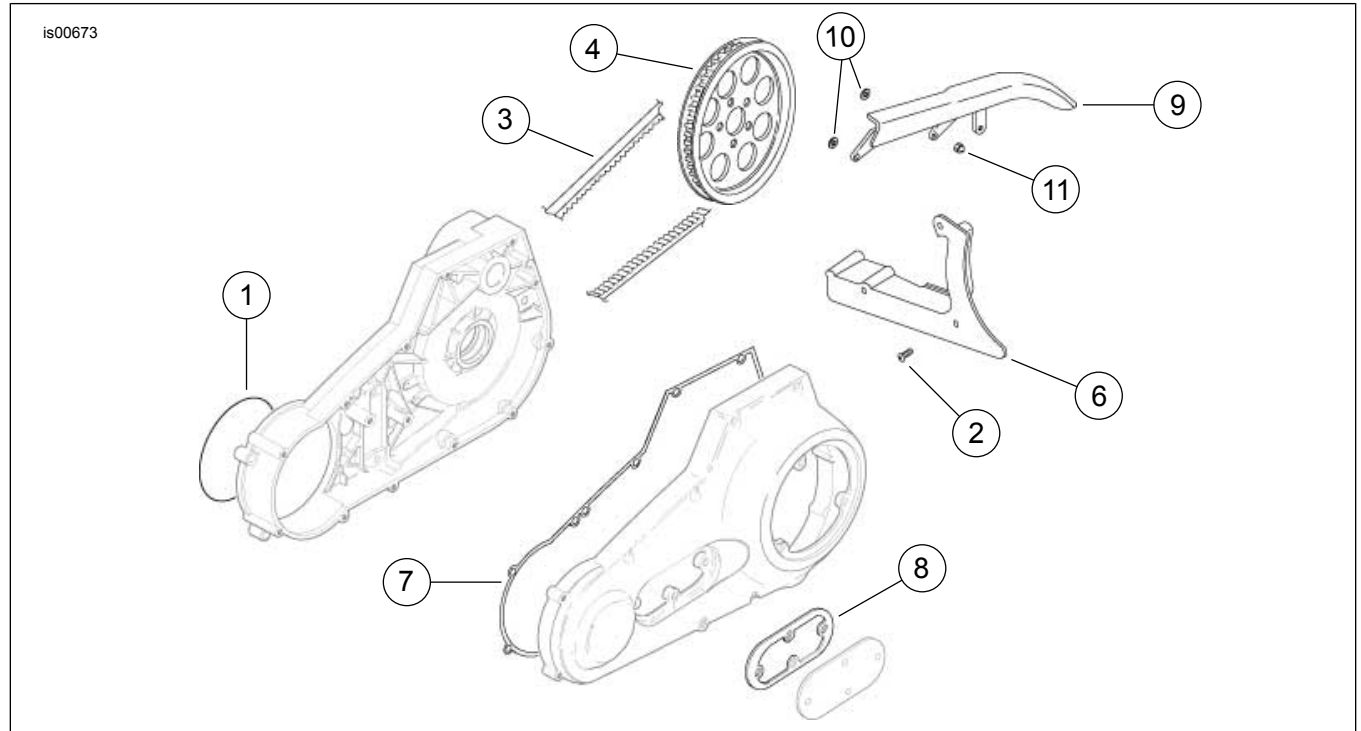


Figure 5. Service Parts: Softail Wide Tire Kit

Table 1. Service Parts: Softail Wide Tire Kit

Item	Description (Quantity)	Part Number	Item	Description (Quantity)	Part Number
1	O-ring	11147A	10	Washers (2)	6702
2	Button head screws (2)	3540	11	Locking acorn nut	7507
3	Drive belt, 130 tooth, 1.125 in. wide	40047-98	12	Saddlebag studs (2) (See Figure 2)	90386-98
4	Sprocket, purchased separately		13	Lock nuts (2) (See Figure 2, Item 2)	7710W
5	Tire (150/80-16) not shown	40555-04	14	Capscrews (2) 2-1/4 in. long (See Figure 2, Item 3) (use with FLSTC Docking Hardware Kit, 53371-95A)	4722
6	Debris deflector	Not Sold Separately		Capscrews (2) 1-1/2 in. long (See Figure 2, Item 3) (use with all other FLSTC applications)	4721
7	Primary cover gasket	60539-94A	15	Lockwashers (2) (See Figure 2, Item 4)	7038
8	Primary inspection gasket	60567-90B	16	Acorn nuts (4) (See Figure 4, Item 2)	7680W
9	Belt guard	60571-98	17	Lockwashers (4) (See Figure 4, Item 1)	94082-90T