



INSTRUCTIONS

J00583

2006-04-11



VOLTAGE REGULATOR COVER KIT

GENERAL

Kit Number

74597-01

Models

This kit fits all 2001 and later Softail® models. Will also fit models equipped with bullet front spoiler, part number 57039-XX. Will not fit other Softail front spoilers.

Kit Contents

Table 1. Kit Contents

Description (Quantity)	Part Number
Cover	Not sold Separately
Spacers (2)	Not sold Separately
Screw, button head (2)	94404-93T

INSTALLATION

1. Support the voltage regulator and remove the two regulator mounting screws. Discard screws.
2. Insert the new screws (1) through the cover (2) mounting holes (3).
3. Slide the spacers (4) over the screw ends on the inside of the cover.
4. Position the assembly over the voltage regulator, align and tighten screws to 50-80 **in-lbs** (5.6-9.0 Nm).

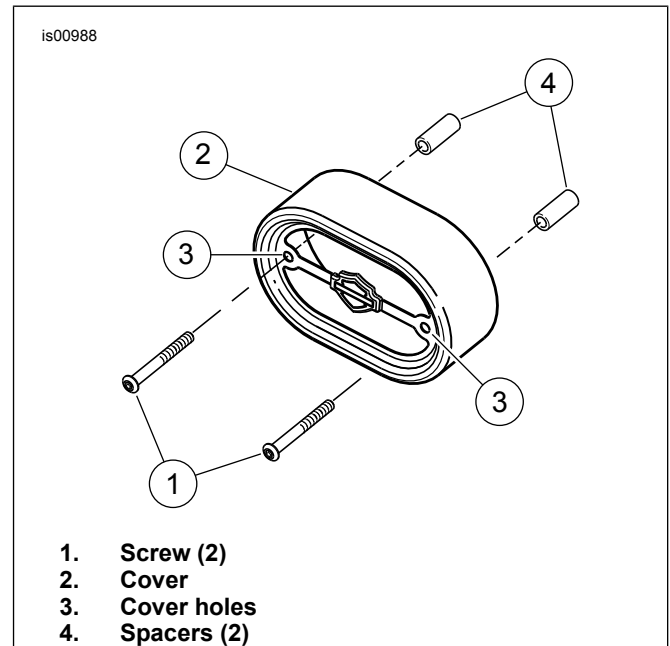


Figure 1. Voltage Regulator Cover Components