



INSTRUCTIONS

J03690

2013-05-14



TOUR-PAK SIDE MARKER LIGHT KIT

GENERAL

Kit Number

69494-06, 54352-09

Models

For model fitment information, see the P&A Retail Catalog or the Parts and Accessories section of www.harley-davidson.com (English only).

Additional Parts Required

⚠ WARNING

Rider and passenger safety depend upon the correct installation of this kit. Use the appropriate service manual procedures. If the procedure is not within your capabilities or you do not have the correct tools, have a Harley-Davidson dealer perform the installation. Improper installation of this kit could result in death or serious injury. (00333b)

NOTE

This instruction sheet references service manual information. A service manual for your model motorcycle is required for this installation and is available from a Harley-Davidson dealer.

Kit Contents

See Figure 6 and Table 1.

INSTALLATION

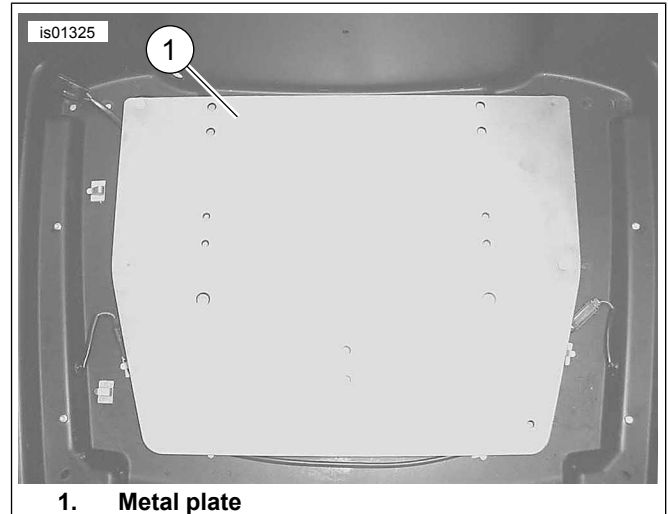
⚠ WARNING

To prevent accidental vehicle start-up, which could cause death or serious injury, disconnect battery cables (negative (-) cable first) before proceeding. (00307a)

⚠ WARNING

Disconnect negative (-) battery cable first. If positive (+) cable should contact ground with negative (-) cable connected, the resulting sparks can cause a battery explosion, which could result in death or serious injury. (00049a)

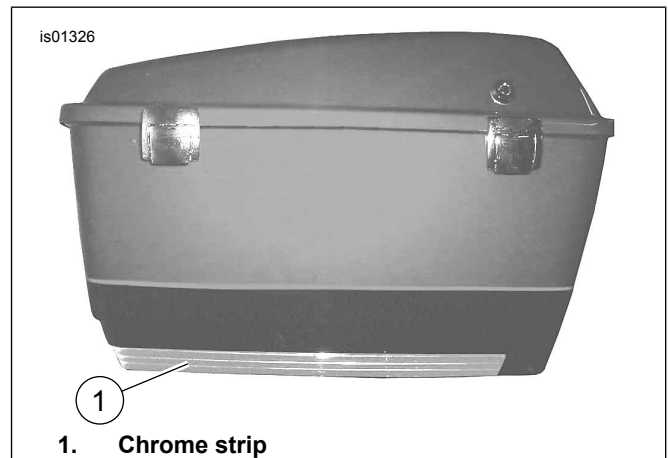
1. Disconnect negative battery cable or remove main fuse.
2. Remove all contents from Tour-Pak®.
3. Remove Tour-Pak from motorcycle. Refer to the appropriate service manual for Tour-Pak removal.
4. **2014 and later** follow service manual to remove existing side marker lights and reverse for installation of this kit.



1. Metal plate

Figure 1. Metal Plate

5. See Figure 1. Remove metal plate from bottom of Tour-Pak by removing six flange nuts underneath Tour-Pak. Retain plate and nuts for later use.



1. Chrome strip

Figure 2. Removable Chrome Strip

6. See Figure 2. Remove chrome strips from Tour-Pak by removing two T15 TORX® screws. Retain screws for later use.

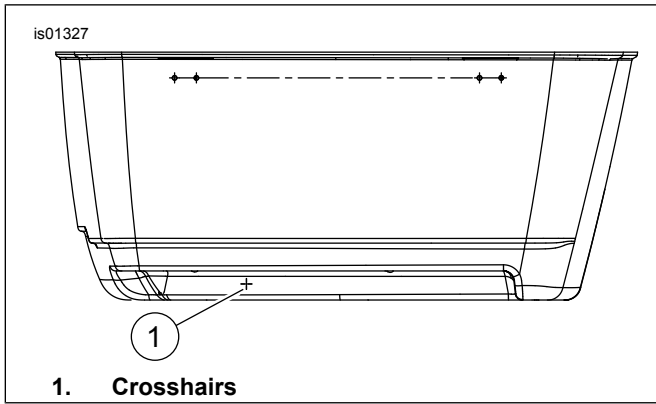


Figure 3. Tour-Pak Crosshairs Location

7. See Figure 3. Locate crosshairs imprinted on side of Tour-Pak. Drill a 0.50 in. (12.7 mm) hole at crosshairs location. Repeat for opposite side.

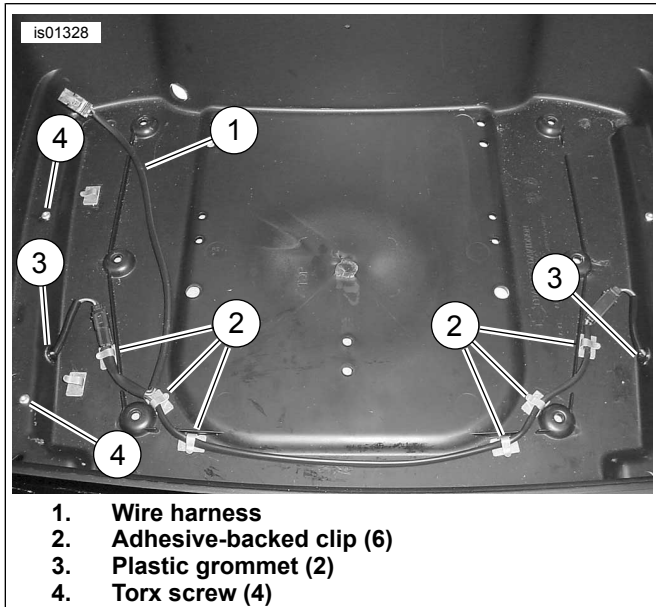


Figure 4. Wire Harness Routing

8. See Figure 4. Place light housings into position and feed cords through 0.50 in. (12.7 mm) hole.
9. Install light assemblies by aligning holes in Tour-Pak with threaded bosses in light housings and using two T15 TORX® screws (4) removed earlier.
10. Install plastic grommet (3) on light wire and push into 0.50 in. (12.7 mm) hole.

11. Place wire harness (1) in bottom of Tour-Pak and arrange as seen in Figure 4. Use adhesive-backed clips (2) to retain harness in position.

NOTE

If conduit and connectors are not completely captured in channel at bottom of Tour-Pak, installation of metal floor plate can pinch wires or damage connectors.

12. Install metal plate in bottom of Tour-Pak using six flange nuts removed earlier. Tighten nuts to 4.5–6.8 N·m (40–60 in-lbs). See Figure 1.
13. Install Tour-Pak. See the proper service manual for Tour-Pak installation procedure.

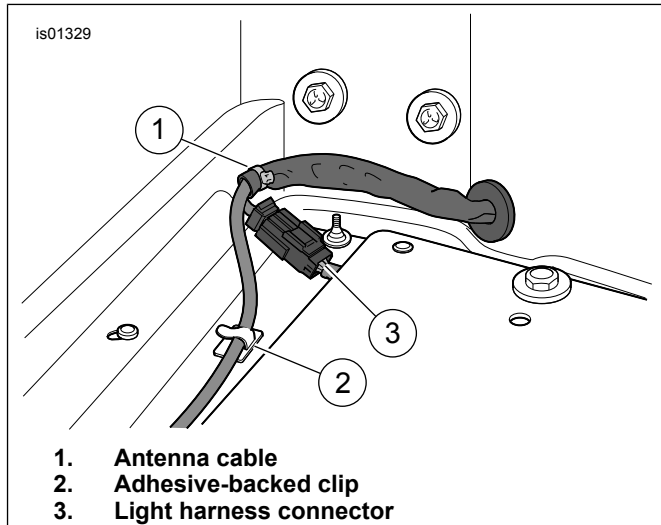


Figure 5. Antenna Cable and Connector

14. See Figure 5. Connect Tour-Pak light harness connector to unused connector bundled with antenna cable inside of Tour-Pak.
15. Connect negative battery cable or main fuse.

⚠ WARNING

Be sure that all lights and switches operate properly before operating motorcycle. Low visibility of rider can result in death or serious injury. (00316a)

SERVICE PARTS

is01330

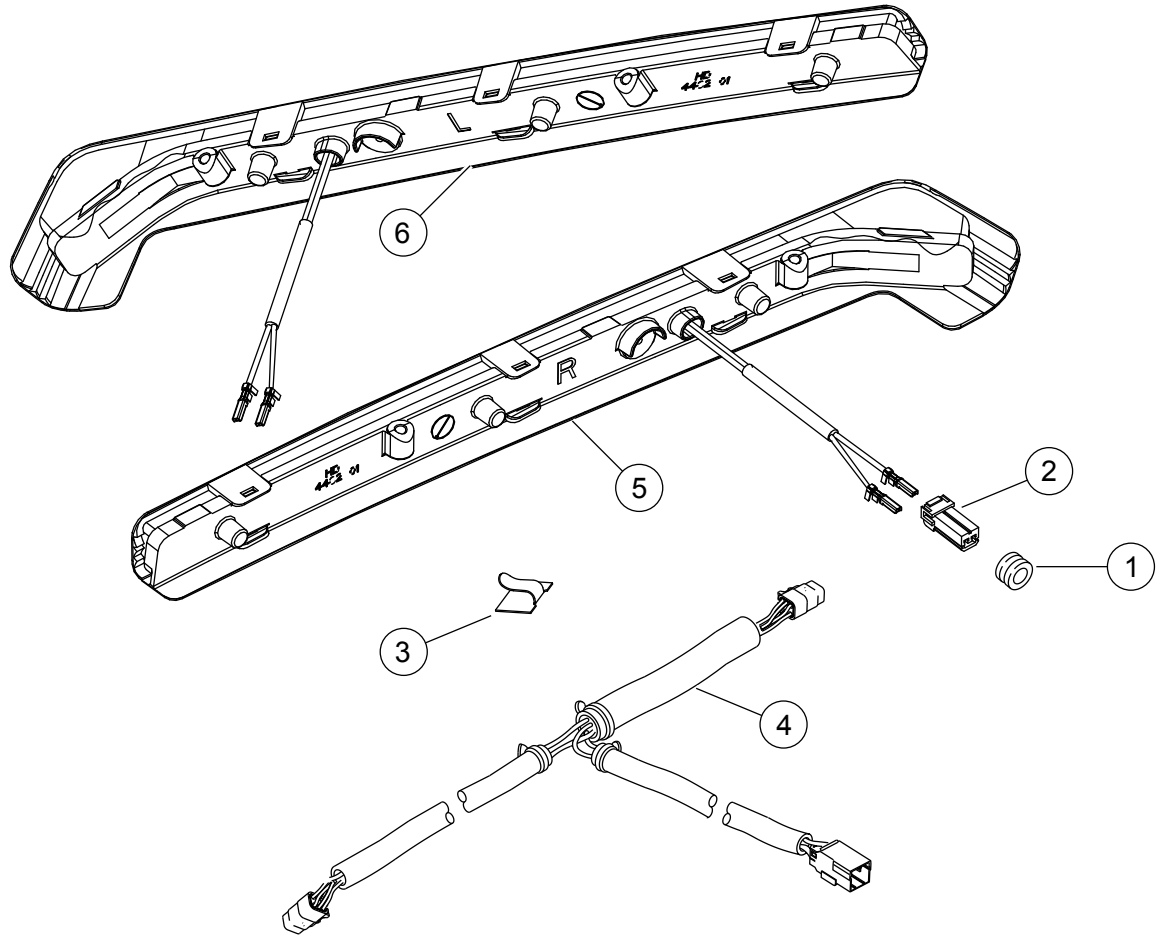


Figure 6. Service Parts: Tour-Pak Side Marker Light Kit

Table 1. Service Parts: Tour-Pak Side Marker Light Kit

| Item | Description (Quantity) | Part Number | Item | Description (Quantity) | Part Number |
|------|---------------------------------|-------------|------|--|----------------------|
| 1 | Grommet (2) | 57978-00 | 4 | Assembly, wire harness, LED Tour-Pak side marker light kit | 70650-06 |
| 2 | Socket, housing, 2-position (2) | 73152-96BK | 5 | Light, RH Tour-Pak, red Light, RH Tour-Pak, smoke | 53788-06 54353-09 |
| 3 | Adhesive-backed clip | 10102 | 6 | Light, LH Tour-Pak, red Light, LH Tour-Pak, smoke | 53789-06 54355-09 |