



INSTRUCTIONS

J03837

2015-10-20



DYNA RIGID MOUNT SADDLEBAGS

GENERAL

Kit Number

79300-06D, 88224-06, 88200-09A, 90369-06D, 90564-06D, 91615-09B, 88348-10

Models

For model fitment information, see the P&A Retail Catalog or the Parts and Accessories section of www.harley-davidson.com (English only).

Additional Parts Required

Separate purchase and installation of additional parts or accessories may be required for proper installation of this kit on your model motorcycle. See the P&A Retail Catalog or the Parts and Accessories section of www.harley-davidson.com (English only) for a list of required parts or accessories for your model.

▲ WARNING

Rider and passenger safety depend upon the correct installation of this kit. Use the appropriate service manual procedures. If the procedure is not within your capabilities or you do not have the correct tools, have a Harley-Davidson dealer perform the installation. Improper installation of this kit could result in death or serious injury. (00333b)

NOTE

This instruction sheet references service manual information. A service manual for your model motorcycle is required for this installation and is available from a Harley-Davidson Dealer.

Kit Contents

See Figure 3 and Table 3.

INSTALLATION

▲ WARNING

Do not exceed saddlebag weight capacity. Put equal weight in each bag. Too much weight in saddlebags can cause loss of control, which could result in death or serious injury. (00383a)

NOTE

Refer to the labels in the saddlebags for maximum weight capacity.

To simplify installation, raise the motorcycle on a motorcycle lift and remove the lower bolt from both rear shock absorbers, (to allow rear wheel to drop and allow access to the fender strut and turn signal hardware).

Complete the following procedure on one side of the motor-cycle before working on the other side.

2002-2005 Dyna Models

Refer to instruction sheet J04803 for the installation of rigid mount saddlebags, Hardware Kit 92025-09.

Turn Signal Relocation Kit

1. **2006 and Later Dyna Models (Except 2006-2008 FXDWG and all FXDF):** Follow the instructions provided with the Turn Signal Relocation Kit before proceeding with the following steps. When finished with these instructions you will need to return to the Turn Signal Relocation Kit instructions to complete that installation.

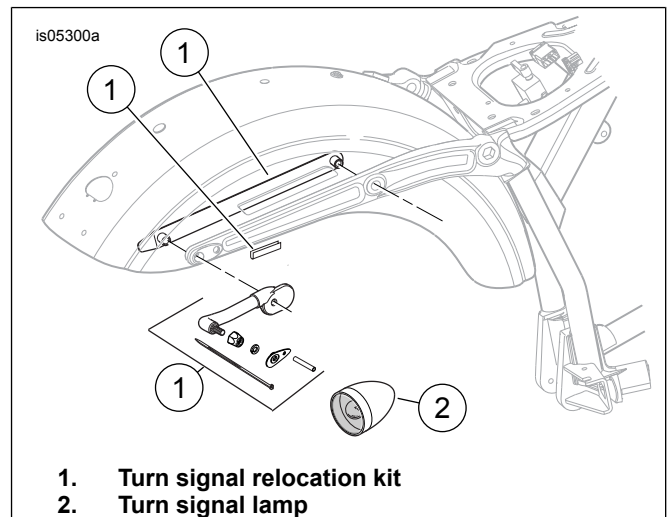


Figure 1. Turn Signal Relocation Kit, FXDB

Saddlebag Installation

1. Remove the forward screw holding the fender side cover in place and discard.
2. **2006-2008 FXDWG and all FXDF models:** Remove the rear screw holding the fender side cover in place and discard.
3. **2009 and Later FXDB:** See Figure 1. Use the fender support bracket included in the Turn Signal Relocation Kit 68227-09.
4. **2010 and Later FXDWG models:** Use the fender support bracket included in the turn signal relocation kit 68544-10.
5. **All other Models:** See Figure 3 and Table 3. Install the fender support bracket (8) from the kit inside the fender.
6. Refer to Table 1 for the correct bolt, washer, and spacer combinations to be used for your model.



7. Install mounting screw with washer(s) through the front mounting hole inside of the saddlebag. Refer to table 1 for the correct number of washers to use.
8. Install the spacer onto the screw as it protrudes through the saddlebag. See Table 1 for spacer length.
9. Insert the screw through the fender support cover into fender support bracket. Refer to table 1 for fender support bracket to use. Loosely tighten the screw.
10. Install mounting screw with washer(s) through the rear mounting hole inside the saddlebag.
11. Install spacer onto the screw as it protrudes through the saddlebag.
12. For 2009 and later FXDB and 2010 and later FXDWG discard recess cover (7)
13. All Other Models: Install the recess cover onto the screw.
14. Insert the bolt through the fender support cover into the fender support bracket . Loosely tighten the screw.
15. Tighten front and rear screws to 33.9 N·m (25 ft-lbs).

NOTE

On vehicles equipped with detachable side plates, replace the rear spacer (5) from the kit, with the rear detachable mounting point.

⚠ WARNING

Be sure fasteners do not extend inward beyond fender mounting bracket. Fastener contact with tire can lead to premature tire failure, which could result in death or serious injury. (00389a)

16. Inspect clearance between tire and saddlebag mounting bolts. Bolts must not extend more than three threads beyond fender support bracket (8). If bolt extends too far, verify that the specified bolt and spacer combination has been used.

⚠ WARNING

Do not exceed saddlebag weight capacity. Put equal weight in each bag. Too much weight in saddlebags can cause loss of control, which could result in death or serious injury. (00383a)

17. See **Install Reflectors onto Saddlebag (All Models)** and install saddlebag reflectors.
18. Refer to the appropriate service manual and install the turn signals, removed in Step 1, to the original locations.

⚠ WARNING

Do not exceed saddlebag weight capacity. Put equal weight in each bag. Too much weight in saddlebags can cause loss of control, which could result in death or serious injury. (00383a)

19. See **Install Reflectors onto Saddlebag (All Models)** and install saddlebag reflectors.

Install Reflectors onto Saddlebag (All Models)

⚠ WARNING

Federal Motor Vehicle Safety Standard (FMVSS) 108 requires motorcycles to be equipped with rear and side reflectors. Be sure rear and side reflectors are properly mounted. Poor visibility of rider to other motorists can result in death or serious injury. (00336b)

1. Place a small amount of paint on studs on back of reflector mount.
2. See Figure 1. Measure approximately 1-1/2 inches (38 mm) from the bottom edge of the saddlebag. Orient the reflector horizontally and carefully center the reflector mount between the straps of bags with straps or locate it at the rearward portion of bags without straps. Gently press reflector mount to saddle bag so paint marks transfer and punch or drill small holes through saddlebag where paint marks transferred to saddlebag.
3. Remove adhesive backing from reflector and firmly press reflector into reflector mount.
4. Install reflector assembly to saddlebag and secure with push nuts.
5. Repeat for the other saddlebag.

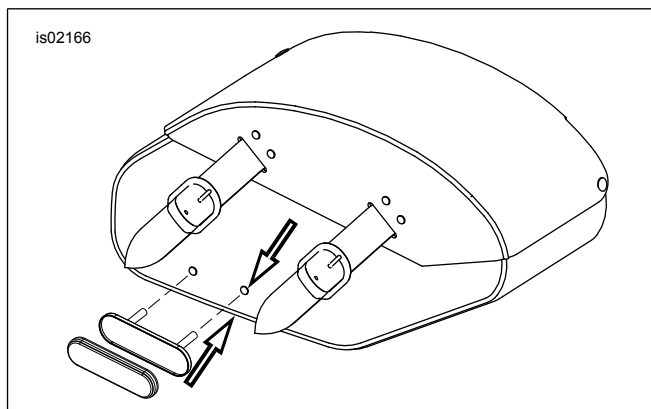


Figure 2. Install Reflector

CARE and MAINTENANCE

- To open the saddlebag, first disengage the snaps, then unbuckle the quick connect buckles.
- For saddlebags with lid snaps, it will be necessary to periodically oil the snaps. Smear a drop of motor oil into the female side of the snap, being careful not to get any of the oil on the leather. Oil the snaps every two or three weeks.
- Apply the Genuine Leather Dressing included with your saddlebag according to the directions included with the leather care kit.

Table 1. HARDWARE REQUIREMENTS

Model	Front Bolts	Front Washers W/Rigid Mount Sideplates	Front Washers W/Detachable Sideplates	Front Washers W/No Sideplates	Front Spacer W/Rigid or No Sideplates	Front Spacer W/Detachable Sideplates
'06-later FXD/C/L	2-1/2 in.	1	2	2	Short	Detachable mounting point
'06-'08 FXDB	2-1/2 in.	1	2	2	Short	Detachable mounting point
'09-later FXDB	2-1/2 in.	1	2	2	Short	Detachable mounting point
'06-'08 FXDWG	2-1/2 in.	1	2	2	Short	Detachable mounting point
'08-'09 FXDF	2-1/2 in.	1	2	2	Short	Detachable mounting point
'10-later FXDF and '10-later FXDWG	2-3/4 in.	1	2	2	Short	Detachable mounting point

Table 2. HARDWARE REQUIREMENTS

Model	Rear Bolts	Rear Washers W/Rigid Mount Sideplates	Rear Washers W/Detachable Sideplates	Rear Washers W/No Sideplates	Rear Spacer W/Rigid or No Sideplates	Rear Spacer W/Detachable Sideplates	Fender Support Brackets
'06-Later FXD/C/L	2-3/4 in.	1	2	2	Medium	Detachable mounting point	Use bracket in saddlebag kit
'06-'08 FXDB	2-3/4 in.	1	2	2	Medium	Detachable mounting point	Use bracket in saddlebag kit
'09-later FXDB	2-3/4 in.	1	2	2	Medium	Detachable mounting point	Use bracket in turn signal relocation kit
'06-'08 FXDWG	2-3/4 in.	1	2	2	Long	Detachable mounting point	Use bracket in saddlebag kit
'08-'09 FXDF	2-3/4 in.	1	2	2	Long	Detachable mounting point	Use bracket in saddlebag kit
'10-later FXDF	2-3/4 in.	1	2	2	Long	Detachable mounting point	Use bracket in saddlebag kit
'10-later FXDWG	2-3/4 in.	1	2	2	Long	Detachable mounting point	Use bracket in turn signal relocation kit

SERVICE PARTS

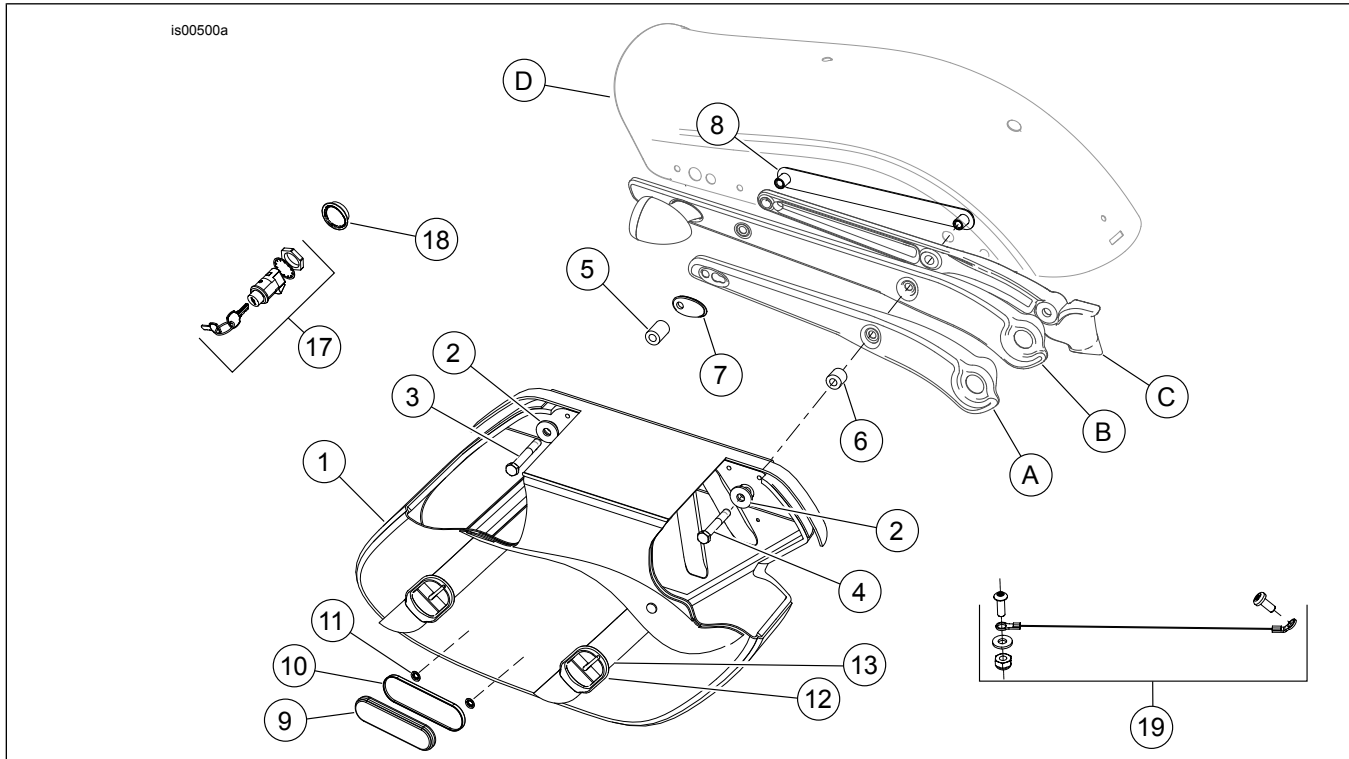


Figure 3. Service Parts for 2006 and Later Applications (except FXDB)

Table 3. Service Parts Table

Kit	Item	Description (Quantity)	Part Number
Saddlebag, right side (generic saddlebag shown)	1	Kit 91615-09B	90889-09A
		Kit 79300-06D	79301-06
		Kit 88200-09A	88201-09
		Kit 88224-06	Not Sold
		Kit 90564-06D	90565-06
		Kit 90369-06D	90370-06
		Kit 88348-10	88349-10
Saddlebag, left side (not shown)		Kit 91615-09B	90890-09A
		Kit 79300-06D	79302-06
		Kit 88224-06	Not Sold
		Kit 88200-09A	88202-09
		Kit 90564-06D	90569-06
		Kit 90369-06D	90373-06
		Kit 88348-10	88350-10
	2	Thick washer (8)	6519
	3	Hex bolt, 3/8-16 x 2-3/4 inch (4)	4796
	4	Hex bolt, 3/8-16 x 2-1/2 inch (4)	4795
	5	Long spacer, 1.1 inch, ('06-'08 FXDWG & FXDF models) (2)	5877
		Medium spacer, 0.9 inch (all models except '06-'08 FXDWG & FXDF) (2)	40950-98A
	6	Short spacer, 0.72 inch (2)	5878
	7	Recess cover (all models except '06-'08 FXDWG, FXDF & FXDB) (2)	47531-06
	8	Fender support bracket (all except FXDB) (2)	60198-06
	9	Red reflector (2)	Not Sold
	10	Reflector mount	See Service Kit
	11	Push nut (4)	8126A

Table 3. Service Parts Table

Kit	Item	Description (Quantity)	Part Number
Service Kits	12	Chrome buckle with male disconnect (4), for kit 79300-06D & 88224-06 Aged finish buckle with male disconnect (4), for kit 88200-09 Aged finish buckle with male disconnect (4), for kit 88348-10 Chrome buckle with female disconnect (4), for kit 90369-06D	90453-04 88216-09 88382-10 88352-10
	13	Female disconnect (4), for kit 79300-06A & 88224-06 Female disconnect (4), for kit 88200-09 & 88348-10 Male disconnect (4), for kit 90369-06D	90454-04 90514-09 88353-10
	14	Leather dressing (not shown)	Not Sold Separately
	15	Hardware kit (items 3-8)	92024-09A
	16	Reflector kit (items 9-11)	59480-04A
	17	Replacement lock kit (2 locks with keys), for kit 91615-09 only	51557-00A
	18	Replacement bezel kit, for kit 91615-09A only	90891-09
	19	Saddlebag tether kit, for kit 91615-09A only	90723-09
Items mentioned in text, but not included in kit:			
	A	Fender cover (all except '06-'08 FXDWG, FXDF & FXDB)	
	B	Fender cover, ('06-'08 FXDWG & FXDF)	
	C	Frame	
	D	Fender (generic fender shown)	