



INSTRUCTIONS

J00607

2013-11-01



SOFTAIL FRAME TRIM PLATES

GENERAL

Kit Numbers

47300-88T

Models

For model fitment information, see the P&A retail catalog or the Parts and Accessories section of www.harley-davidson.com (English only).

INSTALLATION

1. Use isopropyl alcohol to remove dirt, grease, and wax from the trim-plate locations on the frame.

NOTE

The upper-left trim plate must be bent to conform to the surface of the depression prior to installation.

2. See Figure 1. Fasten the adhesive backing (2), provided, to the unpolished side of the trim plates (1).
3. Center the trimplates in the depressions and press them firmly into position for one minute.

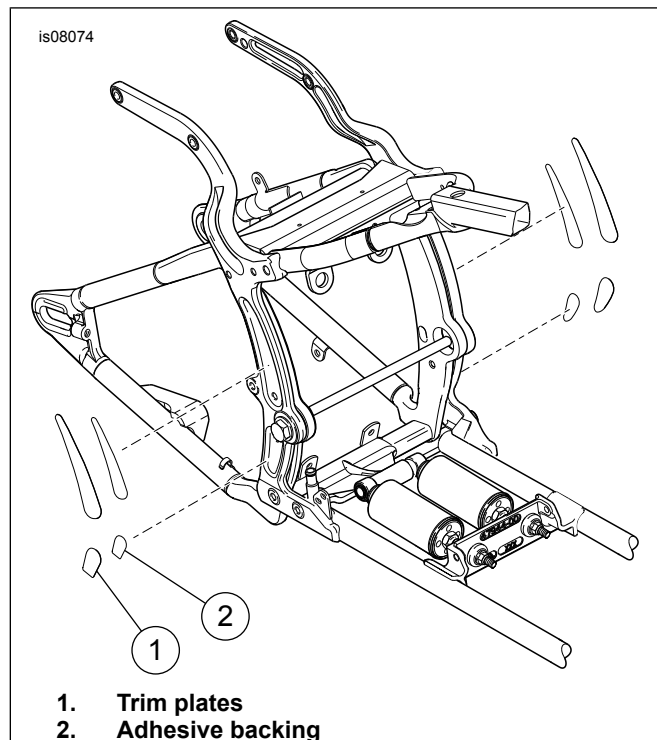


Figure 1. Trim Plates