



# INSTRUCTIONS

J02424

2013-10-22



## DOCKING HARDWARE FOR SOFTAIL ACCESSORY SADDLEBAGS

### GENERAL

#### Kit Number

53930-03B

#### Models

For model fitment information, see the P&A Retail Catalog or the Parts and Accessories section of [www.harley-davidson.com](http://www.harley-davidson.com) (English only).

Table 1. Available Saddlebag Kits

Saddlebag Description	Kit Number
Fat Boy Leather	92000-00B
Fat Boy Leather	91536-00A
Fat Boy Leather	90320-00B
Harness Leather	90114-00
Large-Capacity Leather	90130-00B
Large Leather	90119-00A
Synthetic Leather	91537-00A
Aligator	91555-01A
Rigid Leather	53061-00A
100th Anniversary Rigid Leather	92015-03

#### Additional Parts Required

Turn Signal Relocation Kit (53933-03) must be installed prior to installing this kit on FLSTF, FXSTS, FXST, and FXSTB model motorcycles equipped with one of the saddlebag kits listed above.

#### Kit Contents

See Figure 1, Figure 2 and Table 2.

### INSTALLATION

#### Saddlebag Removal

Remove and discard the screws and washers fastening the saddlebags to the fender supports.

#### Turn Signal Relocation

Install Turn Signal Relocation Kit part number 53933-03 on FXST, FXSTS, FXSTB, and FLSTF models not equipped with the relocation kit.

#### Docking Hardware Installation

Perform this procedure on one side of the vehicle until instructed to go to the other side of the vehicle.

#### NOTE

See Figure 1 and Figure 2. The docking width of the rear docking point (3) is wider than that of the front docking point (4).

- Place one washer (2) on each of two screws (1).
- Place a second washer on the rear docking-point screw on vehicles equipped with the following saddlebags kits: 91536-00A, 90114-00A, 90119-00A, 91537-00A and 91555-01A. Otherwise, continue to Step 3.
- FLSTN Models:** Insert 3-1/4 in. screws through the holes in the saddlebags and saddlebag brackets, from the inside of the saddlebags outward. Slide 1/4 in. spacer on each screw. **All Other Models:** Insert the front and rear screws through the holes in the saddlebags and saddlebag bracket, from the inside of the saddlebag outward.
- Place the front docking point (4) all the way onto the front screw (1), with the countersunk end of the docking point facing the fender support.
- Place the rear docking point (3) all the way onto the rear screw (1), with the countersunk end of the rear docking point facing the fender support.
- Fasten the screws through the fender support and into the threaded nut plates. Tighten the screws to 28–37 N·m (21–27 ft-lbs).
- Check that the screws installed in Step 8 do not protrude past the nut plates inside the fender.
- Repeat Steps 1-10 on other side of vehicle.

### Maintenance

#### NOTICE

**Failure to tighten saddlebag mounting bolts to specified torque could result in damage to saddlebags. (00406c)**

After 500 miles of on-road use with the saddlebags installed, check that the saddlebag mounting bolts are tightened to 28–37 N·m (21–27 ft-lbs).

#### NOTE

*In time docking points may wear, causing the mating luggage rack or sideplates to become loose and rattle. The fit may be tightened using the following procedure.*

- Loosen the docking hardware.
- Rotate the docking points clockwise approximately 45°.
- Tighten the docking hardware to 28–37 N·m (21–27 ft-lbs).



- Repeat as required, up to three adjustments. After the third adjustment, new docking points must be installed.

## SERVICE PARTS

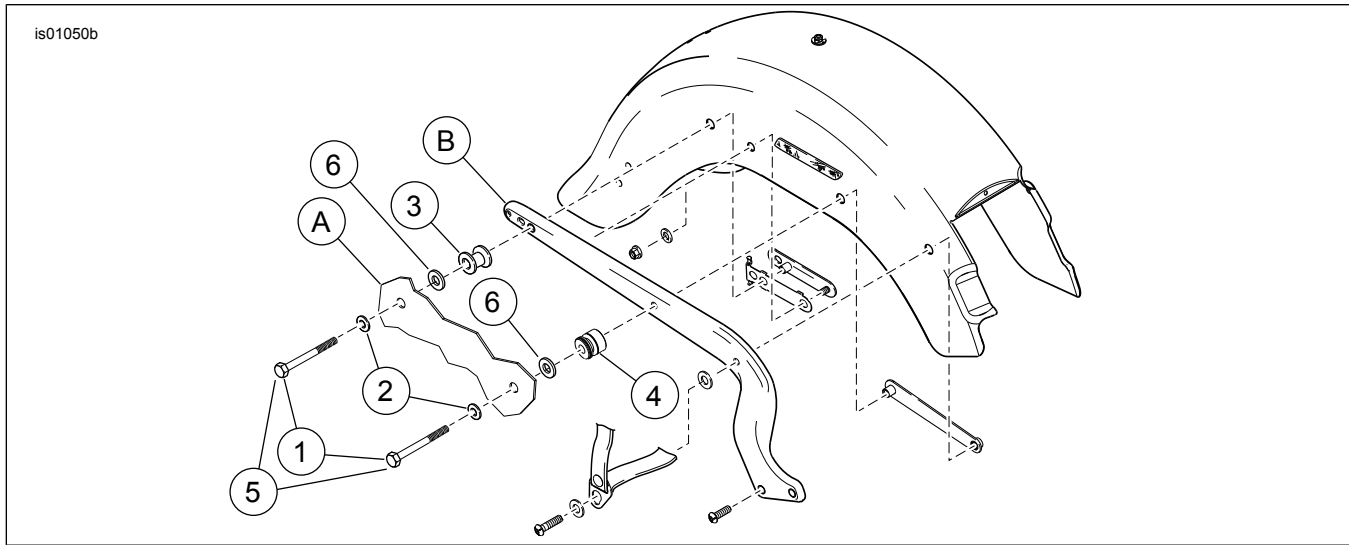


Figure 1. Service Parts for Softail Docking Hardware Kit

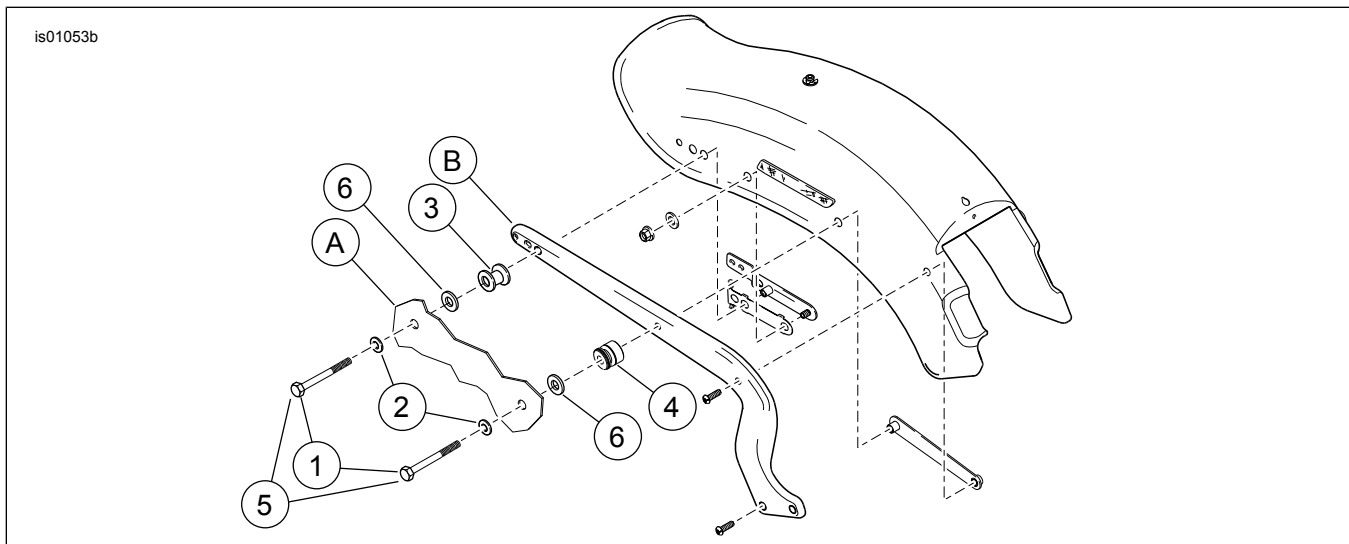


Figure 2. Service Parts for Softail Docking Hardware Kit

Table 2. Service Parts Table

Item	Description (Quantity)	Part Number	Item	Description (Quantity)	Part Number
1	Hex head screw 3/8-16 x 3 in. (4)	3635	4	Docking point, front (2)	53683-96
2	Washer, 3/8 in. (6)	6400HB	5	Hex head screw 3/8-16 x 3-1/4 in. (4)	10500054
3	Docking point, rear (2)	53684-96A	6	Spacer, chrome	Not sold separately
<b>Items Mentioned in Text, But Not Included in Kit:</b>					
A	Bracket, stock				
B	Screw, stock (2)				