



INSTRUCTIONS

J02418

2004-08-03



BILLET AIR CLEANER TRIM INSERT

GENERAL

Kit Number

29247-01, 29263-04

Models

These kits fit 1999 and later Twin Cam 88 model motorcycles equipped with a stock air cleaner cover.

Additional Parts Required

NOTE

If the screw provided in these kits is not long enough to engage the threaded mounting hole on the air cleaner (as is the case with some Screamin' Eagle air cleaners), a longer screw, Part Number 29703-00, is available from your Harley-Davidson dealer.

Kit Contents

See Figure 1 and Table 1.

INSTALLATION

1. Remove and discard the original air cleaner cover screw.
2. Carefully remove and discard the stock air cleaner trim ring from the front of the air cleaner cover. Any remaining adhesive left on the air cleaner cover can be removed with mineral spirits.
3. See Figure 1. Install the new air cleaner trim insert (1) using the new screw (2) from the kit, and tighten to 4–7 N·m (30–60 in-lbs).

CLEANING AND POLISHING

NOTICE

When polishing, use a clean, non-abrasive cloth and a non-abrasive polish or wax. Harley-Davidson recommends using Harley Glaze® Polish and Sealant. Abrasive polish or wax can dull or scratch the finish. (00352a)

SERVICE PARTS

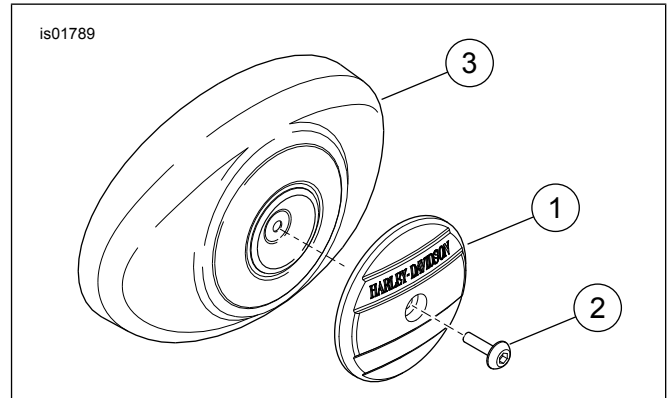


Figure 1. Service Parts: Air Cleaner Trim Insert

Table 1. Service Parts: Air Cleaner Trim Insert

Item	Description (Quantity)	Part Number
1	Air cleaner trim, Billet	Not Sold Separately
2	Screw, socket head, 5/16-18 x 5/8 inch stainless steel, with lock patch	29269
3	Stock air cleaner cover	Reference only