



INSTRUCTIONS

J03279

2014-06-30



H-D DETACHABLES TOURING TOUR-PAK RACK

GENERAL

Kit Number

53276-04A

Models

For model fitment information, see the P&A retail catalog or the Parts and Accessories section of www.harley-davidson.com (English only).

Installation Requirements

Separate purchase of extra parts or accessories may be required for proper installation of this H-D® Detachables™ Kit. See the P&A retail catalog or the Parts and Accessories section of www.harley-davidson.com (English only) for a list of required parts or accessories.

Docking Hardware Kit, H-D Part Number 53804-06 or Docking Hardware Kit, H-D Part Number 53988-07 (FLHRSE3/4 models) must be installed before the Tour-Pak Rack can be mounted.

⚠ WARNING

Rider and passenger safety depend upon the correct installation of this kit. Use the appropriate service manual procedures. If the procedure is not within your capabilities or you do not have the correct tools, have a Harley-Davidson dealer perform the installation. Improper installation of this kit could result in death or serious injury. (00333b)

NOTE

This instruction sheet refers to service manual information. A service manual for this year/model motorcycle is required for this installation. One is available from a Harley-Davidson dealer.

⚠ WARNING

Do not exceed Tour-Pak weight capacity. Too much weight can cause loss of control, which could result in death or serious injury. (00401c)

NOTE

See label inside Tour-Pak, operator's manual, Tour-Pak installation instructions for weight capacity limits.

Kit Contents

See Figure 3 and Table 1.

INSTALLATION

NOTE

See Figure 3. When installing Tour-Pak to Rack in the following Steps, note holes on Rack provide two positions for mounting Tour-Pak in desired location.

1. Place Tour-Pak on support tube and open lid.

NOTE

See Figure 3. In the following step, the longer bolts (6) are used for 2005 and earlier (King only) and Chopped Tour-Pak. The shorter bolts (5) are used for Leather Tour-Pak and 2006 and later King Tour-Pak.

2. See Figure 3. Obtain bolt (5 or 6), two flat washers (3), concave spacer (4) and hex locknut (2) from kit. Align rear center hole in Tour-Pak with same hole in support tube (8). Slide bolt with flat washer through Tour-Pak, through support tube and through concave spacer (with concave side facing support tube). At bottom of support tube, install washer (3) and nylock cap nut (2). With concavity on spacer inline with the rail, hold nut and tighten bolt until snug.
3. Obtain bolts (5 or 6), two flat washers (3), concave spacer (4) and hex locknut (2) from kit. Align top support tube (8) with detachable Tour-Pak rack holes (four). Slide bolts with flat washer through Tour-Pak, through support tube, through concave spacer (with concave side facing support tube) then through rack. At bottom of detachable Tour-Pak rack, install washer (3) and nylock cap nut (2). With concavity on spacer inline with the rail, hold nut and tighten bolt until snug.

NOTE

Always install the mounting bolts from inside the Tour-Pak. If the bolts are installed upside down the ends of the bolts can tear the molded liner and scratch objects inside the Tour-Pak.

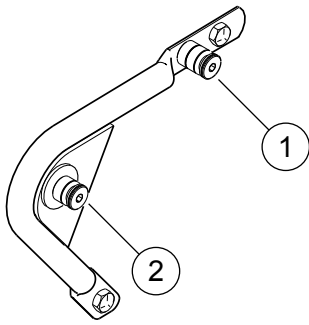
4. Repeat Step 3. Install hardware to the remaining three holes in Tour-Pak and mounting rack.
5. In a crosswise pattern, alternately tighten the five bolts. Tighten.
Torque: 10.8–13.5 N·m (96–120 in-lbs)
6. Make sure that concavity on each spacer is inline with the rail and has not rotated out of position.

INSTALLATION-TOUR-PAK and RACK

1. Follow the installation instructions included in the docking point kit.
2. See Figure 1. While standing behind the motorcycle, place the front Tour-Pak rack notches into the front docking points (1). Make sure the notches seat fully into the front docking points.



is04025

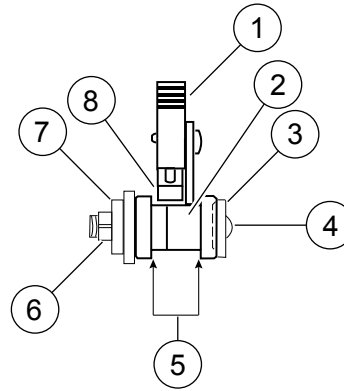


- 1. Front Docking Point
- 2. Rear Docking Point

Figure 1. Docking Point Bracket

- 3. See Figure 1 and Figure 2. Position the latches over the rear docking points (2). Check the latches fit into the neck of the rear docking points as shown in figure 2. This may require some gentle squeezing or spreading of the rack.

is04026



- 1. Latch
- 2. Rear Docking Point
- 3. Washer
- 4. Screw
- 5. Neck
- 6. Locknut
- 7. Bracket
- 8. Release Button

Figure 2. Proper Alignment of Latch in Right Rear Docking Point (viewed from rear of motorcycle)

- 4. Push the rear of the rack downward and close the latches by pressing the latch lever as far forward as it goes. You hear a "CLICK" when the latch is in place. If the latch does not easily close, do not force. Recheck alignment as described in Steps 2 and 3.
- 5. To remove the Tour-Pak, press the release button (8) on each side. Pull the latch levers back. Carefully lift the rear of the Tour-Pak rack up. Pull the rack out of the front docking points.

NOTE

After installing Tour-Pak rack, check Tour-Pak and rack are secure. The front and rear docking points must be fully engaged. See Figure 2 for correct engagement.

SERVICE PARTS

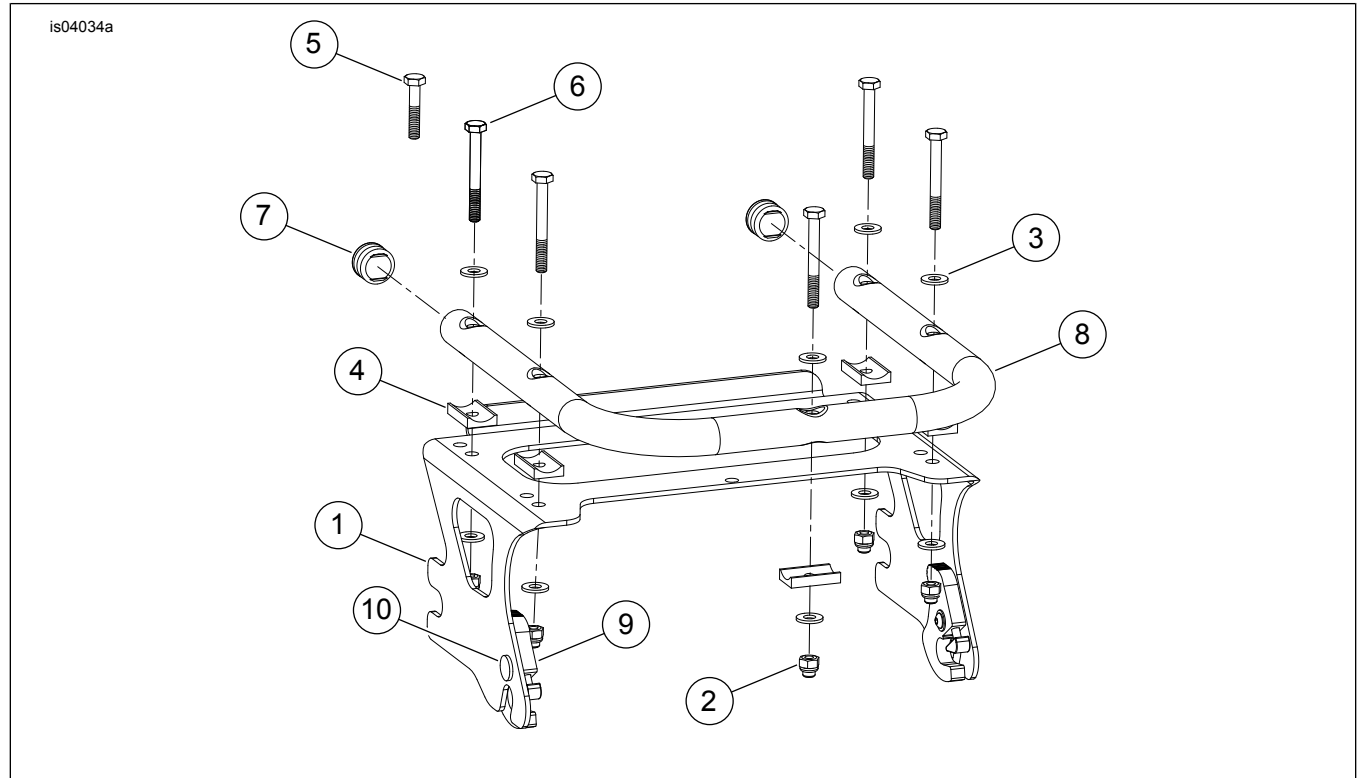


Figure 3. H-D Detachables Touring Tour-Pak Rack

Table 1. Service Parts Table

Item	Description (Quantity)	Part Number
1	Rack, detachable tour-pak	Not Sold Separately
2	Nut, cap, hex lock, 1/4-20 (5)	7887
3	Washer (10)	6703
4	Spacer, rack (5)	53799-99
5	Screw, cap, hex head 1-3/4 inch (5)	Not Sold Separately
6	Screw, cap, hex head 2-1/4 inch (5)	2821
7	Plug, universal flat head (2)	Not Sold Separately
8	Tube, support, top	53809-02
9	Latch assembly (2)	50300108
10	Stud, splined (2)	Not Sold Separately