



INSTRUCTIONS

J02426

2010-01-14



SOFTAIL DOCKING HARDWARE WITHOUT SADDLEBAG SUPPORTS

GENERAL

Kit Number

53932-03A

Models

For model fitment information, see the P&A Retail Catalog or the Parts and Accessories section of www.harley-davidson.com (English only).

This kit is also required for mounting Softail Detachable Saddlebag Kits 88237-07 and 88238-07.

Additional Parts Required

Turn Signal Relocation Kit (53959-06) or (54268-10) must be installed prior to installing this kit on FLSTF, FXSTS, FXST, and FXSTB models when saddlebags are not being installed.

If installing this kit for Softail Detachable Saddlebags (88237-07 and 88238-07) there may be other kits required depending on the accessory configuration(s) being installed. See P&A Retail Catalog or instructions for Detachable Saddlebag Kits for a list of other kits required.

Loctite 243 Threadlocker and Sealant - Blue (99642-97) is available from a Harley-Davidson dealer.

Kit Contents

See Figure 4 and Table 1.

INSTALLATION

1. *2003-later Softail models without saddlebags:* Install Turn Signal Relocation Kit, if not done already.
2. *2003-later FX Softail models (except FXSTD) with detachable saddlebags and other detachable accessories:*
 - a. Install Turn Signal Relocation Kit (69857-07).
 - b. Install Saddlebag Docking Hardware Kit (88256-07) along with this docking hardware kit. Follow instructions included with both kits for installing docking points.
3. *2003-later FX Softail models (except FXSTD) with detachable saddlebags and without other detachable accessories:* Install Turn Signal Relocation Kit (69857-07).
4. *2003-later FX Softail models with detachable saddlebags and rigid mount accessories:*
 - a. Install Turn Signal Relocation Kit (69857-07).

- b. Use longer screws from Saddlebag Docking Kit (88298-07) in place of screws included in this kit. Apply Loctite 243 (blue) to last four threads of screws prior to installation.

5. *2003-later FLST and FLSTC models with detachable saddlebags and rigid mount accessories:* Use longer screws from Saddlebag Docking Kit (88298-07) in place of screws included in this kit. Apply Loctite 243 (blue) to last four threads of screws prior to installation.
6. *2007-later FXSTC models (with stock one-piece passenger upright) with Softail Detachable Saddlebags (88238-07):*
 - a. Install Turn Signal Relocation Kit (69857-07).
 - b. Use longer screws from FXSTC Saddlebag Docking Kit (88297-07) in place of screws included in this kit. Apply Loctite 243 (blue) to last four threads of screws prior to installation.
7. See Figure 1 or Figure 2 for your model motorcycle. Remove and discard stock screws from fender support.
8. See Figure 4. Install front and rear docking points (1, 2). For each docking point, place countersunk side of docking point towards fender support cover (Figure 3, Item 1).
9. Apply Loctite 243 (blue) to first four threads of docking point screws.
10. Thread screws (3) through front and rear docking points and into fender and bracket (underneath fender). Tighten screws to 21-27 ft-lbs (28-37 Nm).

NOTE

Softail Detachable Saddlebag Kits (88237-07 and 88238-07) include reflectors to install on the saddlebags. However, when operating vehicle without saddlebags, the reflectors must be attached on fender support.

▲ WARNING

Federal Motor Vehicle Safety Standard (FMVSS) 108 requires motorcycles to be equipped with rear and side reflectors. Be sure rear and side reflectors are properly mounted. Poor visibility of rider to other motorists can result in death or serious injury. (00336b)

11. Remove backing from adhesive on reflector (4) and attach reflector to forward part of fender support.
12. Repeat steps for opposite side.



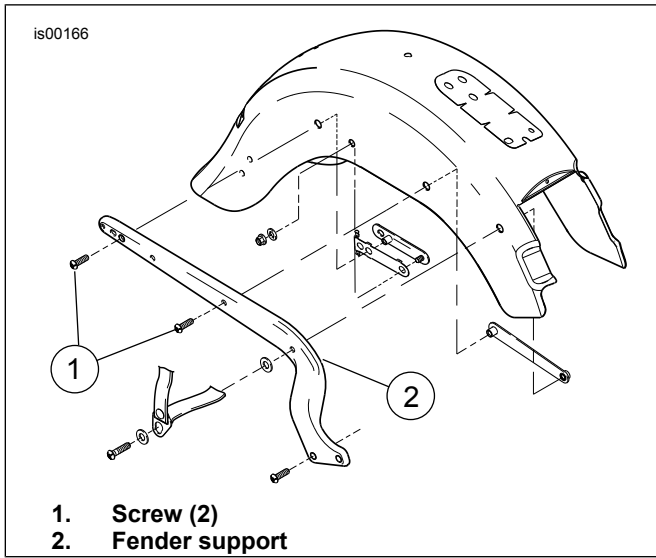


Figure 1. Remove Screws (FLST/C/F)

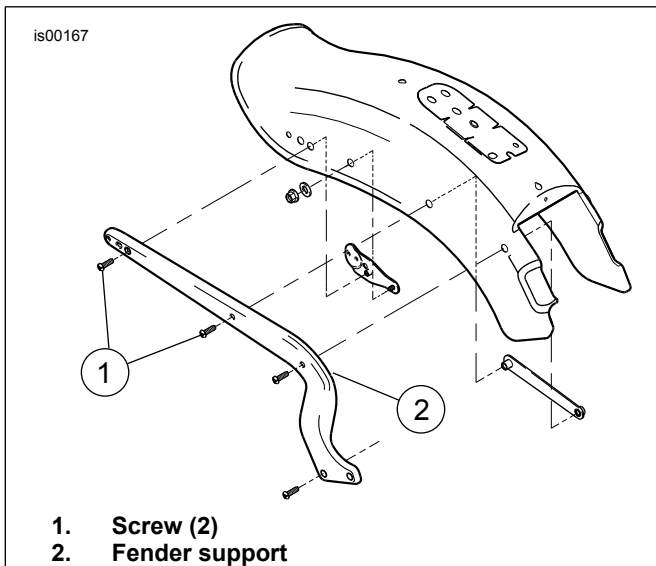


Figure 2. Remove Screws (FXST/S/B)

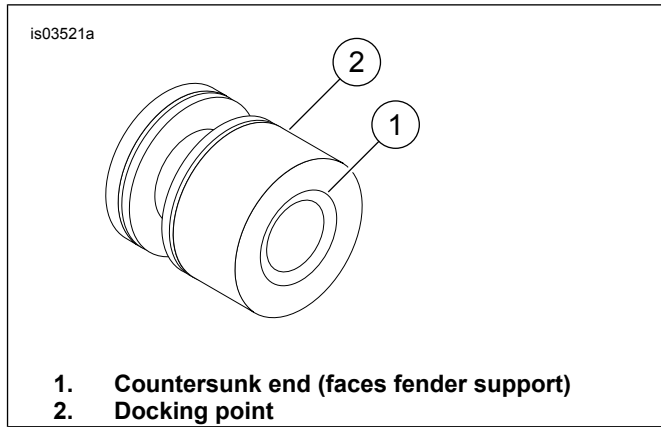


Figure 3. Docking Point

MAINTENANCE

NOTICE

Failure to tighten hardware to the specified torque could result in damage to the installed accessory. (00508b)

NOTE

In time docking points may wear, causing the mating luggage rack or sideplates to become loose and rattle. The fit may be tightened using the following procedure.

1. *Loosen docking hardware. If fasteners with Loctite are disturbed, the fasteners need to be cleaned and new Loctite applied.*
2. *Rotate docking points clockwise approximately 45°.*
3. *Tighten docking hardware to the appropriate torque values.*

Repeat as often as required, up to 3 times. After 3 times new docking points must be installed.

SERVICE PARTS

is03314

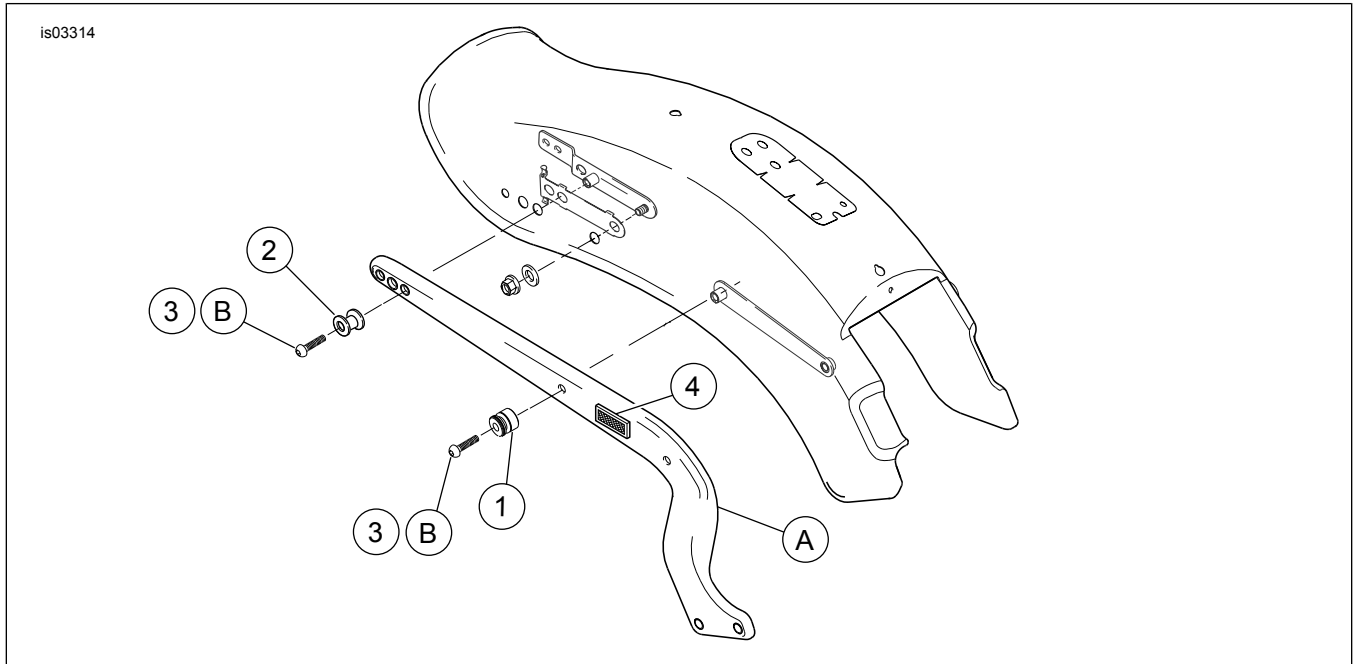


Figure 4. Service Parts: Softtail Docking Hardware Without Saddlebag Supports (FXST Shown)

Table 1. Service Parts: Softtail Docking Hardware Without Saddlebag Supports (FXST Shown)

Item	Description (Quantity)	Part Number	Item	Description (Quantity)	Part Number
1	Docking point, front (2)	53683-96	Items mentioned in text, but not included in kit:		
2	Docking point, rear (2)	53684-96A	A	Fender support	
3	Screw, 3/8-16 x 1-3/4 in. (4)	4246	B	Screw, 3/8-16 x 2 in (4) (Part of Kits 88297-07 and 88298-07, for Softtail Detachable Saddlebags)	
4	Reflector (2)	59266-09			