



# INSTRUCTIONS

J01730

2005-04-05



## AIR DEFLECTOR

### GENERAL

#### Kit Number

58120-96A, 58568-98A, 57740-05

#### Models

These kits fit all 1996 and later FLHT, FLHTC and FLHTCU model motorcycles.

#### Kit Contents

See Figure 1 and Table 1.

### SERVICE PARTS

### INSTALLATION

1. See Figure 1. Select a deflector (1) from kit. Determine correct side by holding mounting hole side of deflector against fairing (3). Correct deflector mounting holes will correspond to air deflector hole plugs (4) on fairing.
2. Remove air deflector hole plugs (4) from fairing (3).
3. Place deflector (1) against inner fairing. Insert screws (2) through deflector holes and into fairing air deflector holes. Tighten the screws snugly.
4. Repeat Steps 2 and 3 for the remaining deflector.

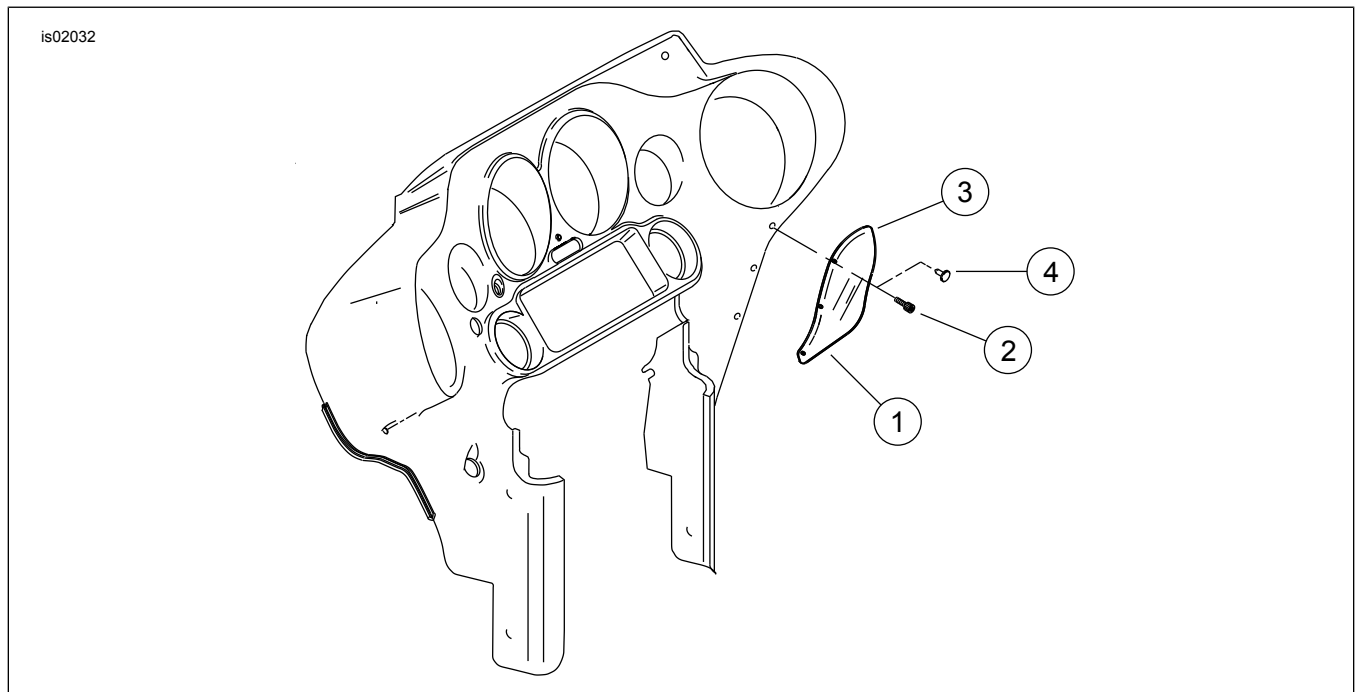


Figure 1. Service Parts: Air Deflector

Table 1. Service Parts: Air Deflector

Item	Description (Quantity)	Part Number	Item	Description (Quantity)	Part Number
1	Deflector, right, Lightly smoked (Kit 58120-96A)	58128-96	4	Deflector hole plugs	Reference only
	Black, (Kit 58568-98A)	Not Sold Separately		Deflector, left, Lightly smoked (Kit 58120-96A)	58129-96
	Dark smoked, (Kit 57740-05)	58178-06		Black, (Kit 58568-98A)	Not Sold Separately
2	Screw (6)	2994		Dark smoked, (Kit 57740-05)	58179-06
3	Fairing assembly	Reference only			